

# Pauluhn Summit linear fluorescent luminaires

High bay luminaires for food and beverage and hazardous areas

Cl. I, Div. 2, Groups A, B, C, D  
Cl. II, Div. 1 & 2, Groups F, G  
Cl. III  
Type 4, 4X; IP66

5L

## Applications:

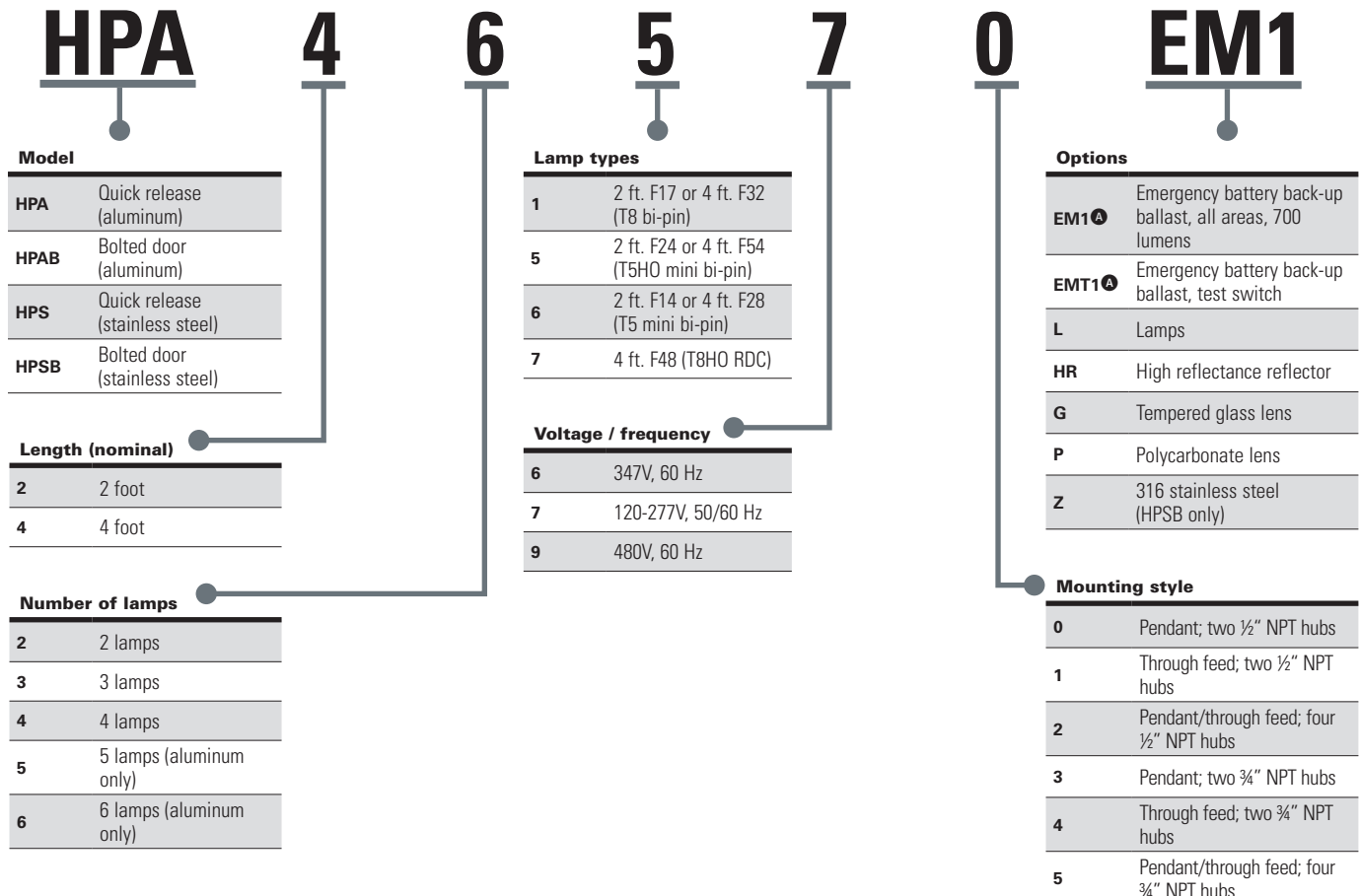
- Locations requiring continuous and consistent light levels
- Food and beverage processing and storage
- Power generation facilities
- Water/wastewater treatment facilities
- Pharmaceutical facilities

## Features:

- High lumen output: up to 30,000 lumens
- Complete portfolio of T5, T8 and T5HO fluorescent models
- Versatile mounting options
- NSF rated
- Operating ambient: -25°C to +55°C
- Optimized debris shedding design
- USDA compliant
- High pressure hose down rated

## Ordering information:

Part number example  
**HPA46570EM1**



<sup>A</sup>For T5 and T5HO, EM ballast is fixed voltage, 120-277V, 50/60 Hz.



HPSB



HPAB

## Photometrics:

- Complete photometrics can be found at [www.crouse-hinds.com/photometrics](http://www.crouse-hinds.com/photometrics)

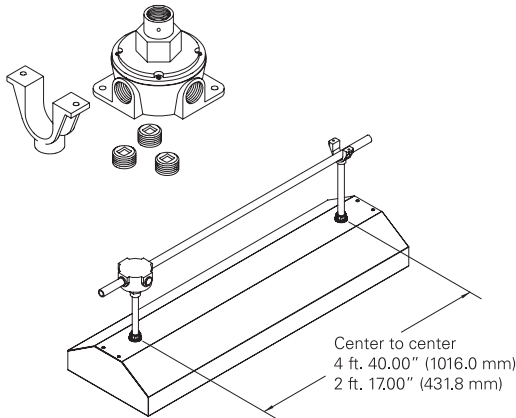
# Pauluhn Summit linear fluorescent luminaires

High bay luminaires for food and beverage and hazardous areas

Cl. I, Div. 2, Groups A, B, C, D  
Cl. II, Div. 1 & 2, Groups F, G  
Cl. III  
Type 4, 4X; IP66

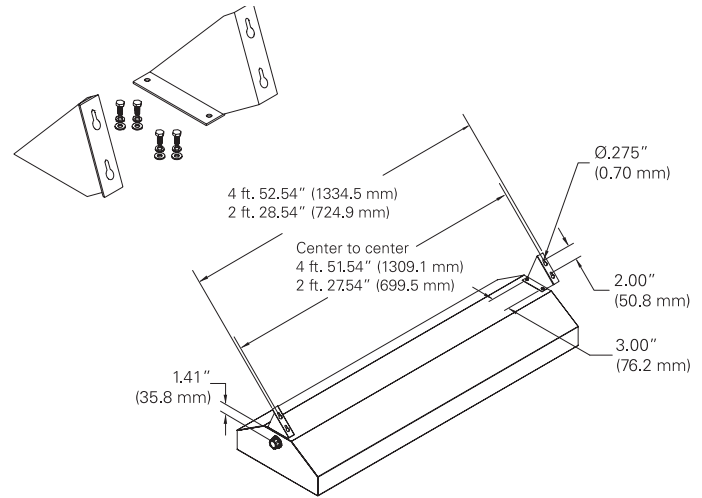
5L

## Mounting options:



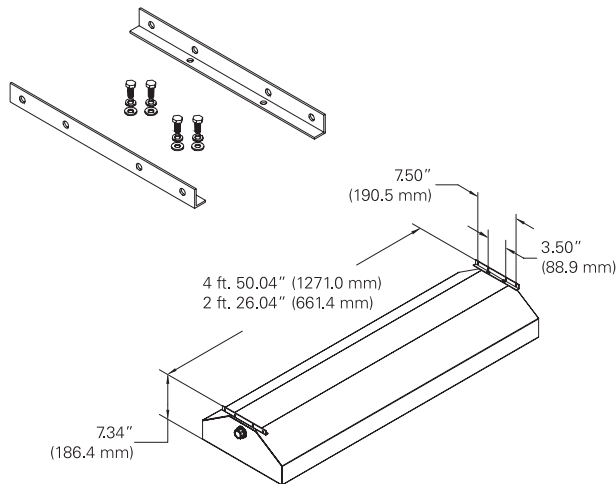
### HP1095MTK

Pendant kit  
(1) saddle clamp and (1) universal junction box and cover (3/4" NPT hubs)



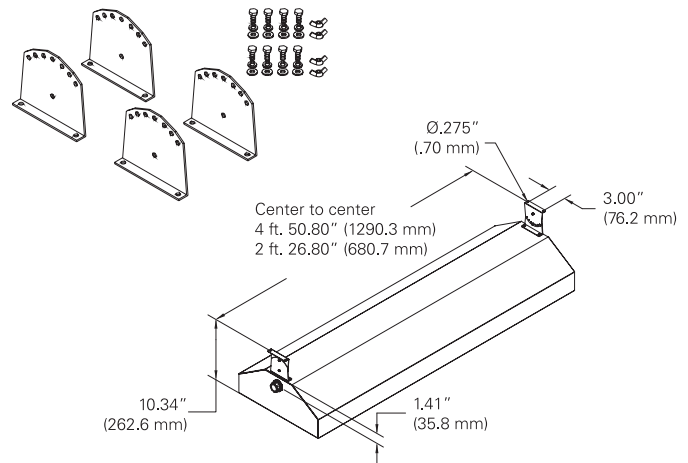
### HP1099MTK

Fixed wall mount kit  
(2) angled stainless steel wall brackets and hardware



### HP1093MTK

Chain/cable mount kit  
(2) stainless steel chain brackets and hardware



### HP1097MTK

Adjustable mount kit  
(2) pairs of stainless steel brackets and hardware

5L

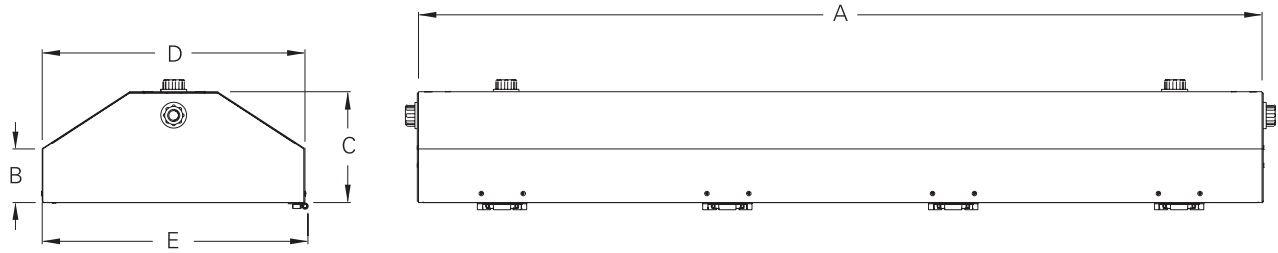
# Pauluhn Summit linear fluorescent luminaires

High bay luminaires for food and beverage and hazardous areas

Cl. I, Div. 2, Groups A, B, C, D  
Cl. II, Div. 1 & 2, Groups F, G  
Cl. III  
Type 4, 4X; IP66

5L

## Dimensions:



Nominal length	Dimensions in inches / centimeters					Carton L x W x D (in.)	Nominal weight <sup>Ⓟ</sup>	
	A	B	C	D	E		HPAB series lbs. (kg.)	HPSB series lbs. (kg.)
2 foot	26.59 (67.50)	3.20 (8.10)	6.59 (16.70)	15.72 (39.90)	15.92 (40.40)	28 <sup>3</sup> / <sub>4</sub> x 16 <sup>5</sup> / <sub>8</sub> x 7 <sup>1</sup> / <sub>8</sub>	21.00 (9.50)	30.00 (13.61)
4 foot	50.59 (128.50)	3.20 (8.10)	6.59 (16.70)	15.72 (39.90)	15.92 (40.40)	53 x 16 <sup>5</sup> / <sub>8</sub> x 7 <sup>1</sup> / <sub>8</sub>	34.00 (15.40)	54.00 (24.50)

## Temperature performance data:

Temperature code T3C: 55°C maximum ambient; 480 VAC maximum, 50/60 Hz

Lamp type	No. of lamps	Ambient temperature		
		40°C	50°C	55°C
T5	1-6	T3C	T3C	T3C
T5HO	1-6	T3C	T3C	T3C
T8	1-4	T5	T5	T5
T8	5-6	T3C	T3C	T3C
T8HO	1-4	T5	T5	T5

<sup>Ⓟ</sup>Add 1.00 lb. for 3 or 4 lamps. Add 2.00 lbs. for 5 or 6 lamps.