

Applications:

- Low profile surface mount
- Marine interior
- Pilot house
- State room
- Office
- Corridor/passageway
- Galley

Features:

- Ultra low profile design
- Impact-resistant extruded acrylic lens
- Multi-voltage electronic ballast resistant to brownouts or voltage and frequency fluctuations
- Wrap around lens design provides the proper balance of side and direct lighting
- Filter tube options allow colored lamps to operate on a separate circuit for darken ship mode
- 2-lamp models may be provided with two ballasts for independent switching or color effects
- Neoprene gasket resists petroleum
- Twist lock lamp holders
- Tool-less entry for easy relamping
- Optional self-contained emergency battery back-up ballasts with test switch
- Optional long life T5 lamps available upon request (contact factory)

Certifications and compliances:

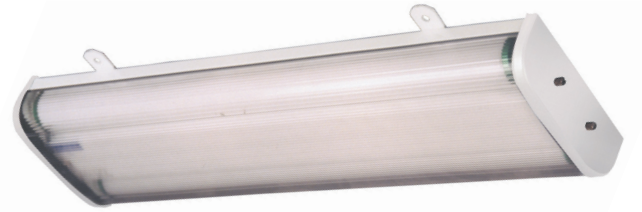
- UL1598A – Luminaires for Marine Vessels
- UL924 – Emergency Lighting Equipment
- Conforms to IP52
- Marine Inside Drip Proof Type
- ABS

Standard materials and finishes:

- Housing and end cap – Type 5052H32 copper-free aluminum with an electrostatically applied polyester powder coat finish
- Lens – extruded DR acrylic
- Reflector – Type 5052H32 aluminum with an electrostatically applied white polyester powder coat finish; minimum 90% reflectance
- Wire guard – stainless steel (optional)
- Gasket – neoprene sponge
- Lamp holder – polycarbonate

Photometrics:

- Complete photometrics can be found at www.crouse-hinds.com/photometrics



Technical specifications:

- Entries – blank unless otherwise specified
- Lamp holder – twist lock for bi-pin
- Ballast – 120-277V, 50/60 Hz electronic, except F20 and F40 T12 bi-pin, which are 120V, 60 Hz

Watts	Ballast / socket type	ANSI lamp code	Starting temperature	Max. ambient °C ^A	Supply wire °C
17	T8 bi-pin G13	F17-T8	0°F (-18°C)	55	90
32	T8 bi-pin G13	F32-T8	-20°F (-29°C)	55	90
14/28	T5 mini bi-pin G5	F14/F28-T5	0°F (-18°C)	55	90
24/54	T5HO mini bi-pin G5	F24/F54-T5HO	-20°F (-29°C)	55	90

- Emergency battery back-up ballast – optional, self-contained 90 minute minimum for all lamp types; 120 minute minimum for F32T8 one lamp; starting temperature 32°F/0°C

Mounting option:

- Ceiling mount, through external mounting legs

Options:

Description	Suffix
• Emergency battery back-up ballast, one lamp, 277V max., test switch.....	EMT2^B
• Emergency battery back-up ballast, high lumen, one lamp, 277V max., test switch.....	EMT3^B
• Frosted white lens.....	E
• Guard.....	GRD
• Lamps.....	L^C
• Long life lamps (F54T5HO only).....	LL^C
• 220V, 50 Hz ballast (T12 bi-pin only).....	225
• 220V, 60 Hz ballast (T12 bi-pin only).....	226
• 277V, 60 Hz ballast (T12 bi-pin only).....	276
• Dimming ballast.....	DIM
<i>Not available for F20T12</i>	
• Red filter tube with separate ballast (one lamp).....	RV-1^D
• Red filter tube (all lamps).....	RV^D
• Blue filter tube with separate ballast (one lamp).....	BV-1^D
• Blue filter tube (all lamps).....	BV^D
• Yellow filter tube with separate ballast (one lamp).....	YV-1^D
• Yellow filter tube (all lamps).....	YV^D

^AContact factory for optional higher ambient models.

^BFor T5 and T5HO, EM ballast is fixed voltage, 120 or 277V, 50/60 Hz.

^CLamps are not included unless option 'L' or 'LL' is specified.

^DNot available in 24W or 54W.

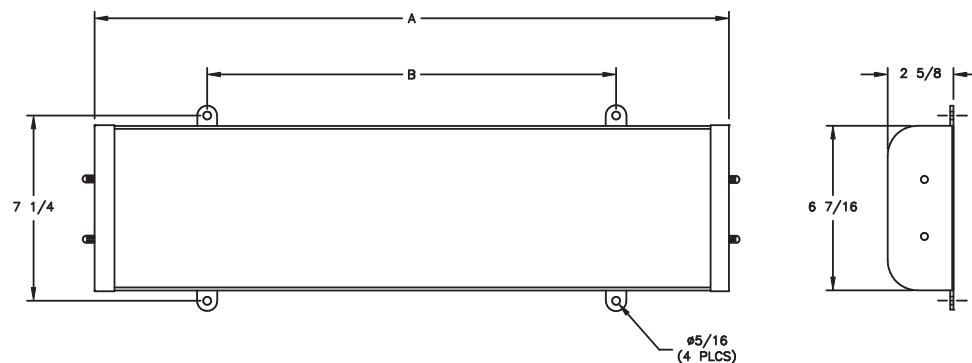
Ordering information:

Cat. #	Nominal length	Lamp type	No. of lamps / nominal lamp wattage	Weight (lbs.)
FLC214	2 ft.	F14T5	2 x 14W	6.0
FLC217	2 ft.	F17T8	2 x 17W	6.0
FLC220	2 ft.	F20T12	2 x 20W	7.0
FLC224	2 ft.	F24T5HO	2 x 24W	6.0
FLC228	4 ft.	F28T5	2 x 28W	9.5
FLC232	4 ft.	F32T8	2 x 32W	9.5
FLC240	4 ft.	F40T12ES	2 x 34W	10.5
FLC254	4 ft.	F54T5HO	2 x 54W	9.5

Accessories (ordered separately):

Cat. #	Description	Cat. #	Description
FX5350	Ballast 120-277 VAC, 50/60 Hz, 1 x 14W, F14T5	FX2016	Lens, 2 ft., clear
FX5174	Ballast 120-277 VAC, 50/60 Hz, 1 x 17W, F17T8	FX2018	Lens, 2 ft., white
FX5307	Ballast 120-277 VAC, 50/60 Hz, 1 x 24W, F24T5HO	FX2017	Lens, 4 ft., clear
FX5350	Ballast 120-277 VAC, 50/60 Hz, 1 x 28W, F28T5	FX2019	Lens, 4 ft., white
FX5221	Ballast 120-277 VAC, 50/60 Hz, 1 x 32W, F32T8	FX4032S	Lamp holder, spring loaded (17/20/32/40W)
FX5305	Ballast 120-277 VAC, 50/60 Hz, 1 x 54W, F54T5HO	FX4036	Lamp holder, spring loaded, set of 2 (17/20/32/40W)
FX5350	Ballast 120-277 VAC, 50/60 Hz, 2 x 14W, F14T5	FX4067	Lamp holder, set of 2 (14/24/28/54W)
FX5340	Ballast 120-277 VAC, 50/60 Hz, 2 x 17W, F17T8	FX1008	Guard, 2 ft. models
FX5307	Ballast 120-277 VAC, 50/60 Hz, 2 x 24W, F24T5HO	FX1007	Guard, 4 ft. models
FX5350	Ballast 120-277 VAC, 50/60 Hz, 2 x 28W, F28T5	FX6819A	End cap
FX5340	Ballast 120-277 VAC, 50/60 Hz, 2 x 32W, F32T8	GKT6027	Gasket, end cap
FX5305	Ballast 120-277 VAC, 50/60 Hz, 2 x 54W, F54T5HO	GKT6050-24	Gasket, lens, 2 ft. models (two required)
FX5009	Ballast 120V, 60 Hz, 1 x 20W, F20T12	GKT6050-48	Gasket, lens, 4 ft. models (two required)
FX5326	Ballast 120V, 60 Hz, 1 x 34W, F34T12	FX2193RED	Filter tube, red 17W T8
FX5326	Ballast 120V, 60 Hz, 1 x 40W, F40T12	FX2192RED	Filter tube, red 20W T12
FX5001	Ballast 120V, 60 Hz, 2 x 20W, F20T12	FX2198RED	Filter tube, red 32W T8
FX5004	Ballast 120V, 60 Hz, 2 x 34W, F34T12	FX2194RED	Filter tube, red 34W T12
FX5004	Ballast 120V, 60 Hz, 2 x 40W, F40T12	FX2192BLU	Filter tube, blue 20W T12
FX3573	Lamp, 14W, F14T5		
FX3574	Lamp, 28W, F28T5		
FX3568	Lamp, 24W, F24T5HO		
FX3567	Lamp, 54W, F54T5HO		
FX3577	Lamp, 54W, long life, F54T5HO		
FX3528	Lamp, 17W, F17T8		
FX3527	Lamp, 32W, F32T8		
FX3506	Lamp, 20W, F20T12		
FX3504ES	Lamp, 34W, F40T12ES		

Dimensions (in inches):



	A	B
17W, 20W, 24W	24 3/4	16
32W, 34W, 54W	48 3/4	24