

# Pauluhn Exacta hazardous area globes and guards

Cl. I, Div. 2, Groups A, B, C, D  
Cl. I, Zone 2, Groups IIA, IIB, IIC  
Cl. II, Div. 2, Groups F, G  
Cl. III  
Type 4; conforms to IP66

1L  
71

## Applications:

- Ceiling, pendant and wall mount types
- Marine and watertight requirements
- Dusttight requirements
- Grain and sugar milling, processing and storage
- Petrochemical facilities
- Coal processing and storage
- Surface mining
- Pharmaceutical and additives formulation and processing
- Food and beverage processing facilities
- Pulp and paper production
- Waste water treatment plants
- Pipeline compressor/pumping and storage

## Features:

- Available in 150 watt incandescent or 18, 26 and 32 watt compact fluorescent
- Approved for use in Class II dust areas
- High temperature silicone gasket provides a watertight seal
- Watertight mounting in any direction
- USDA compliant materials
- Optional polymeric or stainless steel guards
- A wide variety of globe materials and colors available

## Certifications and compliances:

- Class I, Division 2, Groups A, B, C, D
- Class I, Zone 2, Groups IIA, IIB, IIC
- Class II, Division 2, Groups F, G
- Class III
- UL844 – Hazardous Locations
- UL1598 – Luminaires
- CSA – Class 3428 03
- CSA – Class 3428 83
- Type 4
- Conforms to IP66

## Standard materials:

- Housing and globe base – reinforced polyethylene terephthalate (PET)
- Guard – nylon 6/6 or stainless steel wire
- Hardware – stainless steel
- Gasket – one-piece silicone
- Lamp holder – porcelain (incandescent models); polycarbonate (compact fluorescent models)
- Globe – glass; tempered glass; polycarbonate



## Technical specifications:

- Entries – four 3/4" NPT knockouts on ceiling and wall mounts; one 3/4" NPT outlet on pendant mount
- Lamp holder – medium base
- Lamp type – incandescent or 4-pin compact fluorescent (lamp not provided)
- Voltage – incandescent rated to 240V maximum; compact fluorescent rated to 120V or 277V

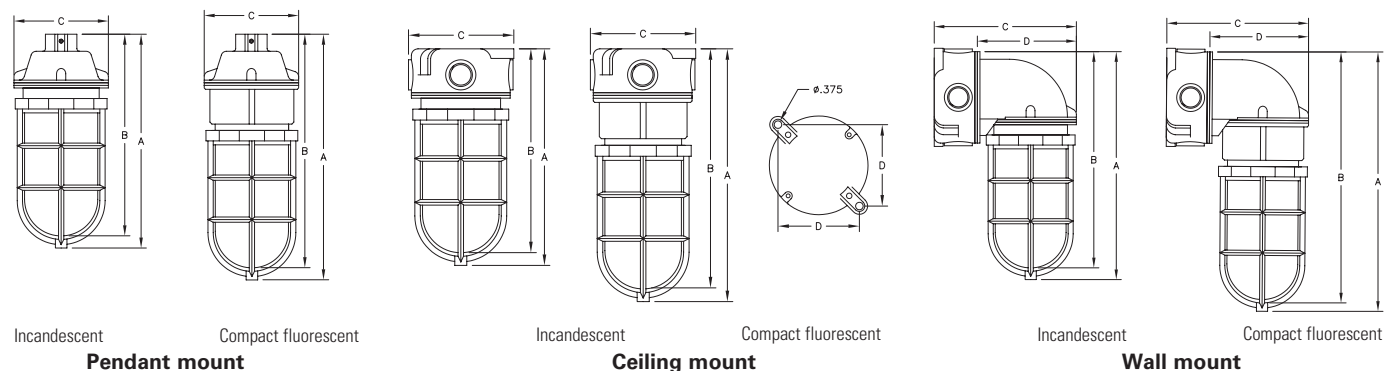
## Mounting options:

- Ceiling, pendant or wall mount

## Photometrics:

- Complete photometrics can be found at [www.crouse-hinds.com/photometrics](http://www.crouse-hinds.com/photometrics)

## Dimensions (in inches):



Mounting style	Pendant mount		Ceiling mount		Wall mount	
Lamp type	Incandescent	Compact fluorescent	Incandescent	Compact fluorescent	Incandescent	Compact fluorescent
A	10.25	12.00	10.00	11.75	11.25	13.00
B	9.50	11.25	9.25	11.00	10.50	12.25
C	4.50	4.50	4.62	4.62	7.50	7.50
D	–	–	3.75	3.75	5.13	5.13

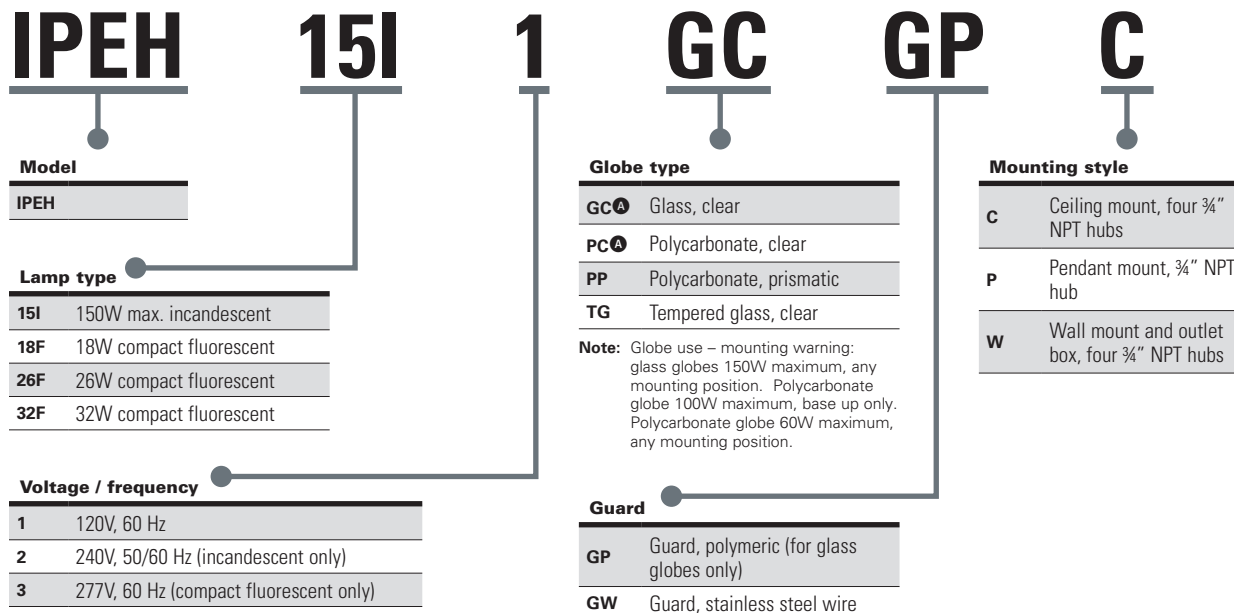
# Pauluhn Exacta hazardous area globes and guards

Cl. I, Div. 2, Groups A, B, C, D  
Cl. I, Zone 2, Groups IIA, IIB, IIC  
Cl. II, Div. 2, Groups F, G  
Cl. III  
Type 4; conforms to IP66

## Ordering information:

### Part number example

IPEH 15I 1 GC GP C L



## Commonly ordered luminaires:

Cat. #	Mounting style	Lamp type	Lamp watts	Weight (lbs.)	Weight (kg.)	Shipping volume
IPEH 15I 1GC GP P	Pendant	Incandescent	150	2.50	1.15	0.5 ft <sup>3</sup>
IPEH 18F 1GC GP P	Pendant	Compact fluorescent	18	3.00	1.35	0.8 ft <sup>3</sup>
IPEH 26F 1GC GP P	Pendant	Compact fluorescent	26	3.00	1.35	0.8 ft <sup>3</sup>
IPEH 32F 1GC GP P	Pendant	Compact fluorescent	32	3.00	1.35	0.8 ft <sup>3</sup>
IPEH 15I 1GC GP C	Ceiling	Incandescent	150	2.90	1.30	0.5 ft <sup>3</sup>
IPEH 18F 1GC GP C	Ceiling	Compact fluorescent	18	3.40	1.55	0.8 ft <sup>3</sup>
IPEH 26F 1GC GP C	Ceiling	Compact fluorescent	26	3.40	1.55	0.8 ft <sup>3</sup>
IPEH 32F 1GC GP C	Ceiling	Compact fluorescent	32	3.40	1.55	0.8 ft <sup>3</sup>
IPEH 15I 1GC GP W	Wall	Incandescent	150	3.50	1.60	0.5 ft <sup>3</sup>
IPEH 18F 1GC GP W	Wall	Compact fluorescent	18	4.10	1.95	0.8 ft <sup>3</sup>
IPEH 26F 1GC GP W	Wall	Compact fluorescent	26	4.10	1.95	0.8 ft <sup>3</sup>
IPEH 32F 1GC GP W	Wall	Compact fluorescent	32	4.10	1.95	0.8 ft <sup>3</sup>

## Temperature performance data:

(Based on 40°C ambient temperature; supply wire 90°C)

Lamp type	Lamp watts	Globe material	T-code
Incandescent	150W	Glass	T3
Incandescent	100W	Glass	T3C
Incandescent	100W	Polycarbonate	T3C
Compact fluorescent	32W maximum	All	T3C

<sup>A</sup>For colored globes, replace 'C' in catalog number with first letter of color required (i.e. 'GR' for red glass globe). Colors available: amber, blue, green, red and white.