

Pauluhn EP explosionproof globes and guards

Cl. I, Div. 1 & 2, Groups C, D
Type 4X
Conforms to IP66

Applications:

- Ceiling, pendant and wall mount types
- Aircraft fueling and maintenance areas^A
- Oil and gas exploration and production
- Fuel dispensing facilities^A
- Marine and watertight requirements
- Pipeline compressor/pumping and storage^A
- Alcohol formulation, blending and storage^A
- Paint and formulation facilities^A
- Petrochemical facilities^A

Features:

- Available in 100 and 200 watt incandescent or 18, 26 and 32 watt compact fluorescent
- Field replaceable, factory sealed globe assembly
- Heat- and impact-resistant clear glass globe
- Neoprene gasket resists petroleum and provides a watertight seal
- Available without reflector, with shallow dome reflector or 30° angled reflector
- Protective guard provided
- Optional colored globes available

Certifications and compliances:

- Class I, Divisions 1 & 2, Groups C, D
- UL844 – Hazardous Locations
- UL1598A – Luminaires for Marine Vessels
- CSA C22.2 No. 137-M1981
- Type 4X
- Conforms to IP66
- Marine Outside Type Saltwater
- ABS

Standard materials:

- Housing and guard – cast copper-free aluminum or cast marine brass (see listings)
- Hardware – stainless steel
- Gasket – one-piece neoprene
- Lamp holder – high temperature PBT with nickel-plated copper screw shell; polycarbonate (for compact fluorescent models)
- Globe – clear tempered glass
- Reflector – Acrylonitrile Butadiene Styrene (ABS), gloss white

Technical specifications:

- Entries – standard one 1/2" NPT outlet; up to 3/4" NPT four-way available
- Lamp holder – medium base; shockproof (optional)
- Lamp type – A-19 incandescent, A-21 incandescent or 4-pin compact fluorescent (lamp not provided)
- Voltage – incandescent rated to 250V; compact fluorescent rated to 120V, 50/60 Hz; 277V, 50/60 Hz (optional)
- Terminal block – optional 4-pole (incandescent models only)

Mounting options:

- Ceiling, pendant or wall mount; intended for lamp base up mounting

Options:

Description	Suffix
• Shockproof lamp holder.....	SP
• Terminal block, 4-pole.....	T[Ⓞ]
• Blue globe.....	B
<i>For 200W and compact fluorescent models only</i>	
• Green globe.....	G
<i>For 200W and compact fluorescent models only</i>	
• Red globe.....	R
<i>For 200W and compact fluorescent models only</i>	
• Yellow globe.....	Y
<i>For 200W and compact fluorescent models only</i>	
• 277V, 60 Hz.....	276[Ⓞ]

Photometrics:

- Complete photometrics can be found at www.crouse-hinds.com/photometrics

Entry options:

NPT trade size	Dead end	Through feed	90°	X positions
Ceiling and wall mount				
1/2"	Std.	C1	L1	X1
3/4"	E2	C2	L2	X2
Pendant mount				
1/2"	Std.			
3/4"	E2			



Aluminum



Brass

^AApplicable for aluminum models only.

^BAvailable on incandescent wall and ceiling models only.

^CAvailable on compact fluorescent models only.

Pauluhn EP explosionproof globes and guards

Cl. I, Div. 1 & 2, Groups C, D
Type 4X
Conforms to IP66

Ordering information:

Cat. #	Description	Material	Lamp size	Weight (lbs.)
EPB46A	Wall mount without reflector	Aluminum	A-19 100W	10.9
EPB47A	Wall mount without reflector	Aluminum	A-21 200W	11.6
FEPB47A-#	Wall mount without reflector	Aluminum	CF	11.8
EPB48A	Wall mount with 30° angled reflector	Aluminum	A-19 100W	12.0
EPB49A	Wall mount with 30° angled reflector	Aluminum	A-21 200W	12.7
FEPB49A-#	Wall mount with 30° angled reflector	Aluminum	CF	12.9
EPC30A	Ceiling mount without reflector	Aluminum	A-19 100W	8.0
EPC31A	Ceiling mount without reflector	Aluminum	A-21 200W	8.8
FEP31A-#	Ceiling mount without reflector	Aluminum	CF	9.0
EPC34A	Ceiling mount with shallow dome reflector	Aluminum	A-19 100W	8.6
EPC35A	Ceiling mount with shallow dome reflector	Aluminum	A-21 200W	10.0
FEP35A-#	Ceiling mount with shallow dome reflector	Aluminum	CF	10.2
EPC36A	Ceiling mount with 30° angled reflector	Aluminum	A-19 100W	9.2
EPC37A	Ceiling mount with 30° angled reflector	Aluminum	A-21 200W	10.0
FEP37A-#	Ceiling mount with 30° angled reflector	Aluminum	CF	10.2
EPP38A	Pendant mount without reflector	Aluminum	A-19 100W	7.3
EPP39A	Pendant mount without reflector	Aluminum	A-21 200W	8.0
FEP39A-#	Pendant mount without reflector	Aluminum	CF	8.2
EPP42A	Pendant mount with shallow dome reflector	Aluminum	A-19 100W	7.8
EPP43A	Pendant mount with shallow dome reflector	Aluminum	A-21 200W	9.2
FEP43A-#	Pendant mount with shallow dome reflector	Aluminum	CF	9.4
EPP44A	Pendant mount with 30° angled reflector	Aluminum	A-19 100W	8.4
EPP45A	Pendant mount with 30° angled reflector	Aluminum	A-21 200W	9.2
FEP45A-#	Pendant mount with 30° angled reflector	Aluminum	CF	9.5
EPB46B	Wall mount without reflector	Brass	A-19 100W	27.3
EPB47B	Wall mount without reflector	Brass	A-21 200W	29.0
FEP47B-#	Wall mount without reflector	Brass	CF	29.0
EPB48B	Wall mount with 30° angled reflector	Brass	A-19 100W	30.0
EPB49B	Wall mount with 30° angled reflector	Brass	A-21 200W	31.8
FEP49B-#	Wall mount with 30° angled reflector	Brass	CF	31.8
EPC30B	Ceiling mount without reflector	Brass	A-19 100W	20.0
EPC31B	Ceiling mount without reflector	Brass	A-21 200W	22.0
FEP31B-#	Ceiling mount without reflector	Brass	CF	22.0
EPC34B	Ceiling mount with shallow dome reflector	Brass	A-19 100W	21.5
EPC35B	Ceiling mount with shallow dome reflector	Brass	A-21 200W	25.0
FEP35B-#	Ceiling mount with shallow dome reflector	Brass	CF	25.0
EPC36B	Ceiling mount with 30° angled reflector	Brass	A-19 100W	23.0
EPC37B	Ceiling mount with 30° angled reflector	Brass	A-21 200W	25.0
FEP37B-#	Ceiling mount with 30° angled reflector	Brass	CF	25.0
EPP38B	Pendant mount without reflector	Brass	A-19 100W	18.3
EPP39B	Pendant mount without reflector	Brass	A-21 200W	20.0
FEP39B-#	Pendant mount without reflector	Brass	CF	20.2
EPP42B	Pendant mount with shallow dome reflector	Brass	A-19 100W	19.5
EPP43B	Pendant mount with shallow dome reflector	Brass	A-21 200W	23.0
FEP43B-#	Pendant mount with shallow dome reflector	Brass	CF	23.2
EPP44B	Pendant mount with 30° angled reflector	Brass	A-19 100W	21.0
EPP45B	Pendant mount with 30° angled reflector	Brass	A-21 200W	23.0
FEP45B-#	Pendant mount with 30° angled reflector	Brass	CF	23.2

Enter compact fluorescent (CF) wattage desired: 18, 26 or 32.

Temperature performance data: (Based on 40°C ambient temperature)

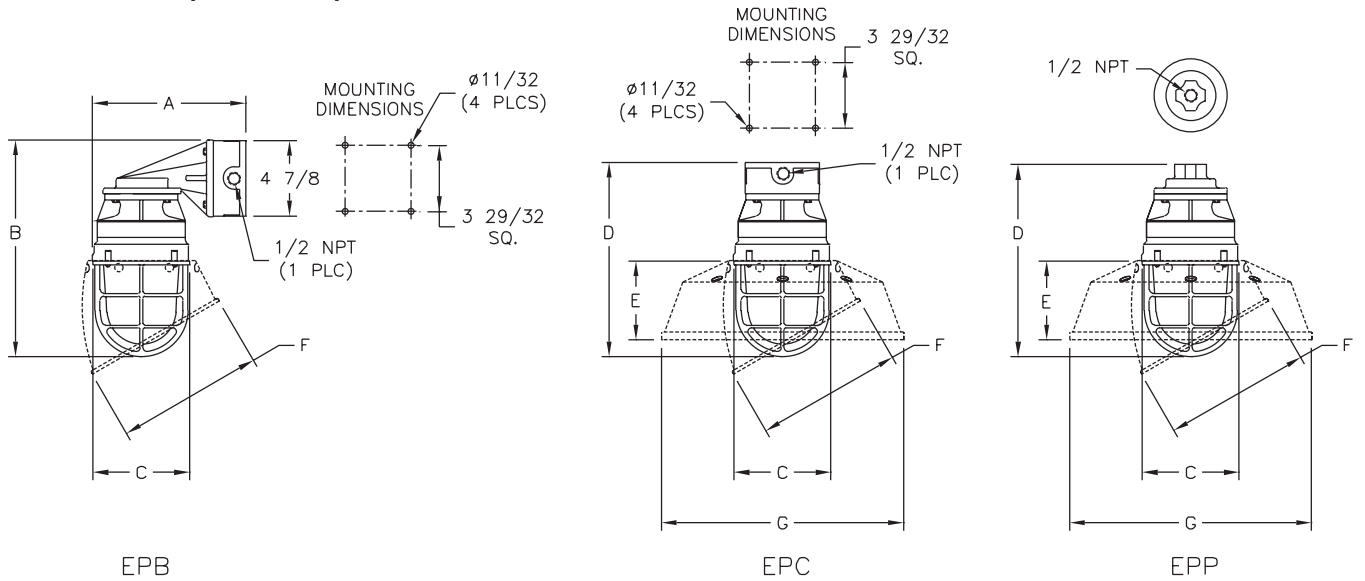
Lamp watts	Globe color	T-code	Supply wire °C
100W	Clear	T4	60
200W	Clear	T3B	125
200W	Colored	T2D	105
18/26/32W	Clear	T6	75
18/26/32W	Colored	T2D	105

Pauluhn EP explosionproof globes and guards

Cl. I, Div. 1 & 2, Groups C, D
 Type 4X
 Conforms to IP66

1L

Dimensions (in inches):



Lamp watts	A	B	C	D	E	F	G
60-100W	$9\frac{3}{8}$	$12\frac{1}{4}$	$5\frac{3}{4}$	$11\frac{1}{4}$	$2\frac{3}{4}$	$\phi 10\frac{5}{8}$	$\phi 12\frac{1}{2}$
100-200W and CF	$9\frac{3}{4}$	14	$6\frac{1}{4}$	$12\frac{1}{2}$	$4\frac{5}{8}$	$\phi 12\frac{1}{2}$	$\phi 16\frac{5}{8}$