

Pauluhn Meridian DL down light

Conforms to IP22
Conforms to IP45 (with sealed diffuser)

11L

Applications:

- Recessed mount
- Marine interior
- Galleys
- Remodeling
- Shallow ceiling cavities
- Overhead lighting in stairwells and passageways

Features:

- LED over 900 lumens
 - 50,000 hours lamp life, with 70% maintained lumens, equals low maintenance and less total cost of ownership
 - 14 watts equals less energy consumed for cooler living quarters compared to other light sources
 - Increase of available current per circuit compared to other light sources
 - Available in 3000K, 3500K and 4000K; dimmable
- Low profile, 4" depth, allows for installation in constricted ceiling voids
- Available with sealed diffuser
- Integral balance support provides vibration dampening

Certifications and compliances:

- UL1598A – Luminaires for Marine Vessels
- Insulation Contact (IC) rated for contact with non-combustible mineral wool insulation
- Conforms to IP22
- Conforms to IP45 (with sealed diffuser)
- Marine Inside Drip Proof Type
- ABS

Standard materials and finishes:

- Housing – zinc coated steel with an electrostatically applied white polyester powder coat finish; component tray easily removed for field access and wiring
- Trim rings – zinc coated steel with an electrostatically applied white polyester powder coat finish; available in a variety of colors and finishes
- Reflector – highly specular aluminum (compact fluorescent and incandescent models); alodine gold finish (optional); halogen and MR utilize reflector style lamps



Technical specifications:

- Entries – two concentric 1/2" or 3/4" NPT knockouts
- Lamp type – LED and MR-16 luminaires (lamps provided); compact fluorescent, halogen PAR and incandescent (lamps not provided)
- Terminal block – 3-pole
- Control gear – MR-16 is provided with an electronic low voltage transformer; compact fluorescent luminaires provided with a 120V, 60 Hz electronic ballast; 120-277V, 50/60 Hz LED driver

Watts	Ballast / socket type	ANSI lamp code	Starting temperature	Max. ambient (IC / NIC) ^A
13	GX24q-1	CFQ13w	0°F (-18°C)	25°C (55°C)
14	LED	N/A	-22°F (-30°C)	25°C (40°C)
18	GX24q-2	CFQ18w	0°F (-18°C)	25°C (55°C)
26	GX24q-3	CFQ26w	0°F (-18°C)	25°C (55°C)
32	GX24q-3	CFQ32w	0°F (-18°C)	25°C (55°C)

- Emergency battery back-up ballast – optional, remote self-contained 240 minute minimum for compact fluorescent models; 90 minutes for LED models^B

Mounting option:

- Recessed ceiling mount; integral balance support provides vibration dampening

Photometrics:

- Complete photometrics can be found at www.crouse-hinds.com/photometrics

^AInsulation Contact (IC); Non-insulation Contact (NIC).

^BNot UL Listed.

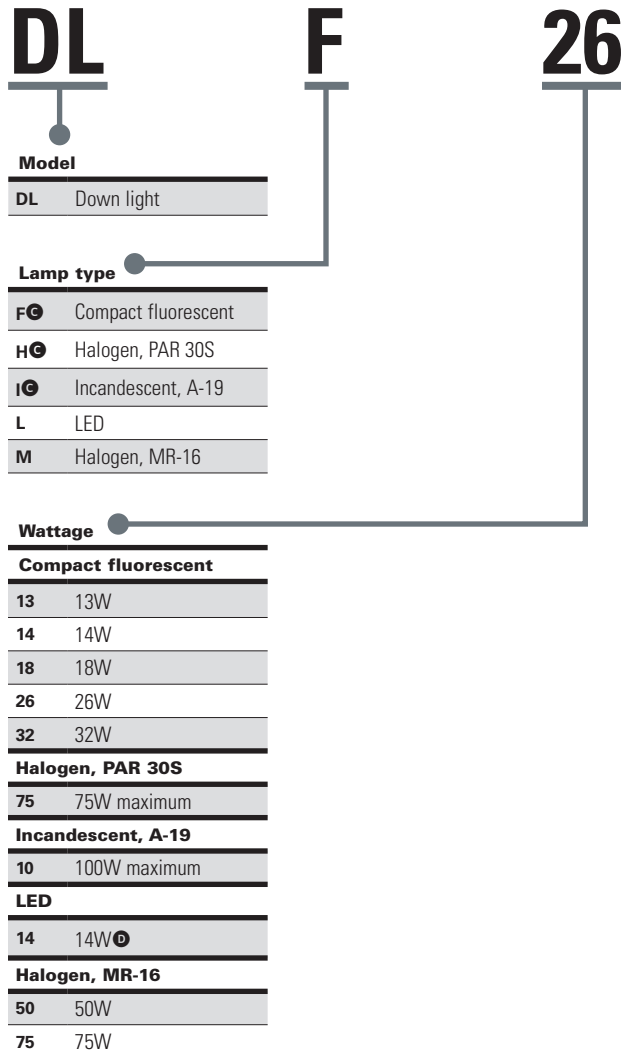
Pauluhn Meridian DL down light

Conforms to IP22
Conforms to IP45 (with sealed diffuser)

11L
11L

Ordering information:

Part number example
DL F 26 **



Accessories (ordered separately):

Cat. #	Description
FX5206	Compact fluorescent, ballast, 120V, 60 Hz, 13, 18, 26 or 32W
FX3531	Lamp, 13W, compact fluorescent
FX3552	Lamp, 18W, compact fluorescent
FX3553	Lamp, 26W, compact fluorescent
FX3554	Lamp, 32W, compact fluorescent
FX4042	Lamp holder, 13W, compact fluorescent
FX4030	Lamp holder, 18W, compact fluorescent
FX4034	Lamp holder, 26W, compact fluorescent
FX4034	Lamp holder, 32W, compact fluorescent
INX3728	Lamp, PAR 30S, halogen
INX3730	Lamp, 50W halogen, MR-16
INX3731	Lamp, 50W halogen, MR-16
INX5243	MR-16 transformer, 120V, 60 Hz, halogen
INX4109	Lamp holder MR-16, 120V, 60 Hz, halogen
INX3528	Lamp, 100W A-19, incandescent
INX4087	Lamp holder, 100W A-19, incandescent

[Ⓢ]Lamps are not included.

[Ⓢ]For LED lamp type, add the following to the end of the catalog number: for 3000K, add '30K'; for 3500K, add '35K'; for 4000K, add '40K'.

Pauluhn Meridian DL down light

Conforms to IP22
Conforms to IP45 (with sealed diffuser)

11L

Options:

Description

Available with all models:

- Polished brass finish trim ring **B**
- Chrome plated trim ring **C**
- Trim ring with glass diffuser **D**
- Sealed diffuser on trim ring (conforms to IP45) **S[ⓔ]**
- Frosted center, clear edge **F**
- Clear center, frosted edge **H**

Available with compact fluorescent lamps:

- Emergency battery back-up ballast, 277V max., remote **EM**
- Dimmable ballast **DIM**
- Gold color finish reflector **G**
- Red DR acrylic diffuser, 26W max. **RV**
- Blue lens, night vision compatible, 26W max. **BV**
- Trim ring with clear polycarbonate diffuser **X**
- 220V, 50 Hz ballast **225**
- 220V, 60 Hz ballast **226**
- 277V, 60 Hz ballast **276**

Available with incandescent lamps:

- Gold color finish reflector **G**

Available with LED lamps:

- Red DR acrylic diffuser **RV**
- Blue DR acrylic diffuser, night vision compatible **BV**

Available with halogen MR-16 lamps:

- 220-240V, 50/60 Hz ballast **225**

Suffix

Trim ring spare parts:

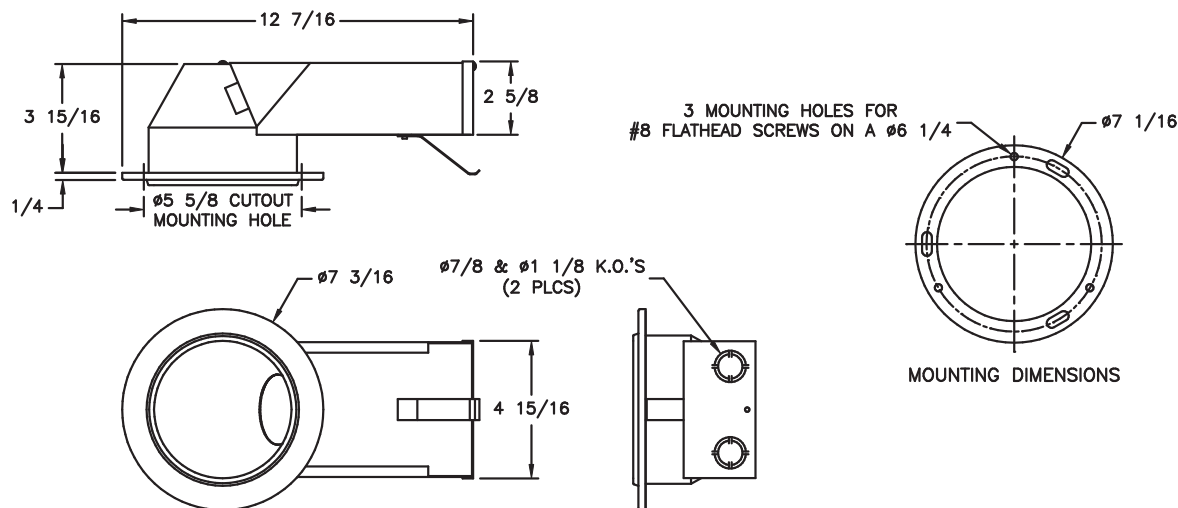
Example: **DLTBDF**

(Trim ring, marine brass finish, with glass diffuser, frosted center, clear edge, stand-off)

Description

- | Description | Suffix |
|---|--------------|
| 1. Down light trim ring | DLT |
| 2. Trim ring color | |
| White (standard)..... | W |
| Marine brass finish..... | B |
| Chrome plated | C |
| 3. Diffuser mount | |
| Stand-off..... | BLANK |
| Sealed (models to 60W) | S |
| 4. Diffuser style | |
| Glass | D |
| Red DR acrylic (LED and compact fluorescent 26W only) | RV |
| Blue lens (LED and compact fluorescent 26W only) | BV |
| Polycarbonate clear (compact fluorescent only) | X |
| 5. Lens style (for glass only) | |
| Clear glass | BLANK |
| Frosted center, clear edge..... | F |
| Clear center, frosted edge..... | H |

Dimensions (in inches):



[ⓔ]For compact fluorescent or incandescent up to 60W maximum. Sealed diffuser is standard on LED fixture.