

# Pauluhn 707/717/727

## hazardous area globes and guards

Cl. I, Div. 2, Groups A, B, C, D  
 Cl. I, Zone 2, Groups IIA, IIB, IIB + H<sub>2</sub>, IIC  
 Type 4X  
 Conforms to IP66

### Applications:

- Ceiling, pendant and wall mount types
- Marine and watertight requirements
- Oil and gas exploration and production
- Petrochemical facilities<sup>A</sup>
- Pharmaceutical and additives formulation and processing<sup>A</sup>
- Pipeline compressor/pumping and storage<sup>A</sup>
- Surface mining<sup>A</sup>
- Wastewater treatment plants<sup>A</sup>

### Features:

- Up to 150 watt incandescent
- High temperature silicone gasket provides a watertight seal
- Four-pole terminal block
- Protective guard provided

### Certifications and compliances:

- Class I, Division 2, Groups A, B, C, D
- Class I, Zone 2, Groups IIA, IIB, IIB + H<sub>2</sub>, IIC
- UL844 – Hazardous Locations
- UL1598A – Luminaires for Marine Vessels
- Type 4X
- Conforms to IP66
- Marine Outside Type Saltwater
- ABS

### Standard materials:

- Housing and guard – cast copper-free aluminum or cast marine brass (see listings)
- Hardware – stainless steel
- Gasket – one-piece silicone
- Lamp holder – high temperature PBT with nickel-plated copper screw shell
- Globe – clear glass; tempered glass (optional)

### Technical specifications:

- Entries – ceiling and wall mount supplied drilled and tapped with four 3/4" NPT outlets and three plugs; pendant mount supplied with 3/4" NPT
- Lamp holder – medium base; shockproof (optional)
- Lamp type – A-21, 150 watt incandescent (lamp not provided)
- Voltage – rated to 250V
- Terminal block – 4-pole, 20 ampere terminal block housed in junction box

### Mounting options:

- Ceiling, pendant or wall mount; intended for lamp base-up mounting

### Options:

- | Description                             | Suffix |
|---|--------|
| • Shockproof lamp holder.....           | SP     |
| • Heat-resistant clear glass globe..... | HR     |

### Temperature performance data:

- T2D at 40°C ambient
- Supply wire 90°C

### Photometrics:

- Complete photometrics can be found at [www.crouse-hinds.com/photometrics](http://www.crouse-hinds.com/photometrics)



Aluminum



Brass

### Ordering information:

Cat. #	Description	Material	Weight (lbs.)
<b>707AM7D2</b>	Wall mount/junction box	Aluminum	3.1
<b>717AM7D2</b>	Ceiling mount/junction box	Aluminum	2.5
<b>727AM7D2</b>	Pendant mount/junction box	Aluminum	2.6
<b>707BM7D2</b>	Wall mount/junction box	Brass	7.8
<b>717BM7D2</b>	Ceiling mount/junction box	Brass	6.3
<b>727BM7D2</b>	Pendant mount/junction box	Brass	6.5

<sup>A</sup>Applicable for aluminum models only.

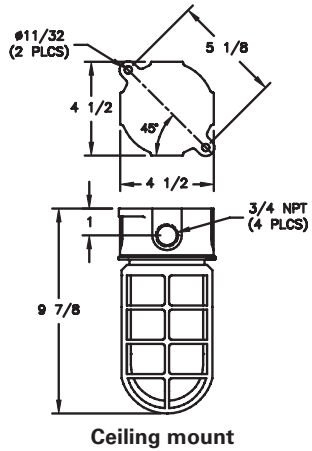
# Pauluhn 707/717/727

## hazardous area

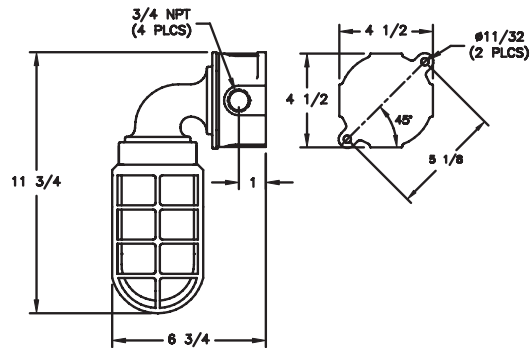
## globes and guards

Cl. I, Div. 2, Groups A, B, C, D  
 Cl. I, Zone 2, Groups IIA, IIB, IIB + H<sub>2</sub>, IIC  
 Type 4X  
 Conforms to IP66

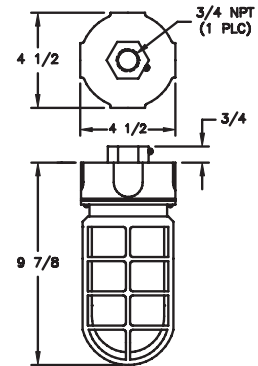
### Dimensions (in inches):



Ceiling mount



Wall mount



Pendant mount

## Applications:

- Wall mount type
- Marine and watertight requirements
- Dusttight requirements
- Freezer and refrigeration<sup>A</sup>
- Pharmaceutical and additives formulation and processing<sup>A</sup>
- Wastewater treatment plants<sup>A</sup>
- Bridge and pier lighting
- Military ships<sup>B</sup>
- Coast Guard rescue vessels<sup>B</sup>

## Features:

- Available in 100 or 150 watt incandescent or 18, 26 and 32 watt compact fluorescent
- High temperature silicone gasket provides a watertight seal
- Choice of wall or flush wall mount
- Protective guard provided
- A wide variety of globe materials and colors available

## Certifications and compliances:

- UL1598A – Luminaires for Marine Vessels
- Conforms to IP66
- Marine Outside Type Saltwater
- ABS

## Standard materials:

- Housing and guard – cast copper-free aluminum or cast marine brass (see listings)
- Hardware – stainless steel
- Gasket – one-piece silicone
- Lamp holder – high temperature PBT with nickel-plated copper screw shell; polycarbonate (for compact fluorescent models)
- Globe – glass; tempered glass; polycarbonate

## Photometrics:

- Complete photometrics can be found at [www.crouse-hinds.com/photometrics](http://www.crouse-hinds.com/photometrics)

## Technical specifications:

- Entries – standard units undrilled; up to 1" NPT four-way available
- Lamp holder – medium base; porcelain or shockproof (optional)
- Lamp type – incandescent or 4-pin compact fluorescent (lamp not provided)
- Voltage – incandescent rated to 300V; compact fluorescent rated to 120V, 50/60 Hz; 277V, 50/60 Hz (optional)
- Terminal block – 4-pole or 6-pole for incandescent models only (optional)

## Mounting options:

- Wall or flush mount

## Options:

Description	Suffix
• 2-pole toggle switch .....	<b>K</b>
<i>Not available for flush mount models</i>	
• Porcelain lamp holder .....	<b>PE</b>
• Shockproof lamp holder.....	<b>SP</b>
• Terminal block, 4-pole.....	<b>TE</b>
• Terminal block, 6-pole.....	<b>T6E</b>
• Frosted globe.....	<b>FST</b>
• Polycarbonate clear globe.....	<b>PG</b>
<i>Guard not provided</i>	
• Red globe .....	<b>RED</b>
• Blue globe.....	<b>BLU</b>
• Green globe .....	<b>GRN</b>
• Yellow globe .....	<b>YEL</b>
• Heat-resistant clear glass globe.....	<b>HR</b>
• 277V, 60 Hz .....	<b>276</b>
<i>Available with compact fluorescent models only</i>	



Aluminum



Brass

## Entry options:

NPT trade size	Dead end	Through feed	90°	X positions
1/2"	E1	C1	L1	X1
3/4"	E2	C2	L2	X2
1"	E3	C3	L3	X3

## Ordering information:

Cat. #	Description	Material	Lamp size	Weight (lbs.)	Box depth
<b>707A</b>	Wall mount	Aluminum	A-19 100W	2.80	2"
<b>707A7</b>	Wall mount	Aluminum	A-21 150W	2.80	2"
<b>F707A7-#</b>	Wall mount	Aluminum	CF	2.80	2"
<b>707AF</b>	Flush mount	Aluminum	A-19 100W	3.30	2 3/8"
<b>707AF7</b>	Flush mount	Aluminum	A-21 150W	3.30	2 3/8"
<b>F707AF7-#</b>	Flush mount	Aluminum	CF	2.80	2 3/8"
<b>707B</b>	Wall mount	Brass	A-19 100W	7.00	2"
<b>707B7</b>	Wall mount	Brass	A-21 150W	7.25	2"
<b>F707B7-#</b>	Wall mount	Brass	CF	7.45	2"
<b>707BF</b>	Flush mount	Brass	A-19 100W	8.25	2 3/8"
<b>707BF7</b>	Flush mount	Brass	A-21 150W	8.50	2 3/8"
<b>F707BF-#</b>	Flush mount	Brass	CF	8.70	2 3/8"

# Enter compact fluorescent (CF) wattage desired: 18, 26 or 32.

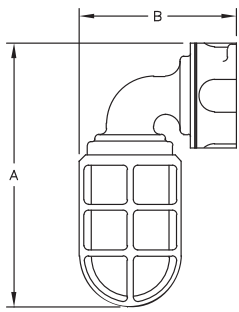
<sup>A</sup>Applicable for aluminum models only.

<sup>B</sup>Applicable for brass models only.

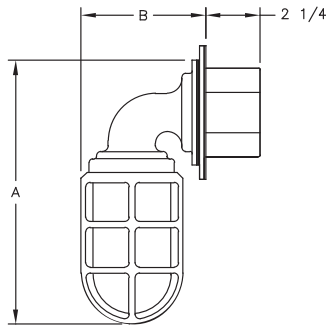
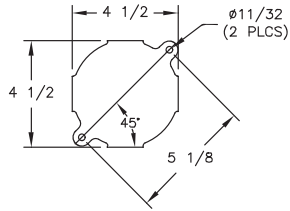
<sup>C</sup>Not for use with compact fluorescent models.

<sup>D</sup>100W incandescent and compact fluorescent models only.

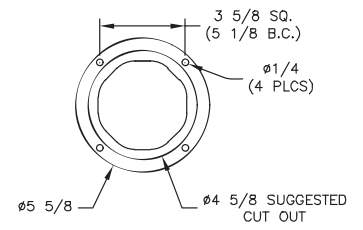
## Dimensions (in inches):



707



707F



Cat. #	A	B
707A / 707B	11	6 <sup>3</sup> / <sub>4</sub>
707A7 / 707B7	11 <sup>3</sup> / <sub>4</sub>	6 <sup>3</sup> / <sub>4</sub>

Cat. #	A	B
707AF / 707BF	11	5
707AF7 / 707BF7	11 <sup>3</sup> / <sub>4</sub>	5

## Applications:

- Ceiling mount type
- Marine and watertight requirements
- Dusttight requirements
- Freezer and refrigeration<sup>A</sup>
- Pharmaceutical and additives formulation and processing<sup>A</sup>
- Wastewater treatment plants<sup>A</sup>
- Bridge and pier lighting
- Military ships<sup>B</sup>
- Coast Guard rescue vessels<sup>B</sup>

## Features:

- Available in 100, 150 and 300 watt incandescent or 18, 26 and 32 watt compact fluorescent
- High temperature silicone gasket provides a watertight seal
- Protective guard provided
- A wide variety of globe materials and colors available

## Certifications and compliances:

- UL1598A – Luminaires for Marine Vessels
- Conforms to IP66
- Marine Outside Type Saltwater
- ABS

## Standard materials:

- Housing and guard – cast copper-free aluminum or cast marine brass (see listings)
- Hardware – stainless steel
- Gasket – one-piece silicone
- Lamp holder – high temperature PBT with nickel-plated copper screw shell; polycarbonate (for compact fluorescent models)
- Globe – glass; tempered glass; polycarbonate
- Reflectors – glass-reinforced polyester (GRP)

## Photometrics:

- Complete photometrics can be found at [www.crouse-hinds.com/photometrics](http://www.crouse-hinds.com/photometrics)

## Technical specifications:

- Entries – standard units undrilled; up to 1" NPT four-way available
- Lamp holder – medium base; porcelain or shockproof (optional)
- Lamp type – incandescent or 4-pin compact fluorescent (lamp not provided)
- Voltage – incandescent rated to 300V; compact fluorescent rated to 120V, 50/60 Hz; 277V, 50/60 Hz (optional)
- Terminal block – 4-pole or 6-pole for incandescent models only (optional)

## Mounting option:

- Ceiling mount

## Options:

Description	Suffix
• 2-pole toggle switch .....	<b>K</b>
• Porcelain lamp holder .....	<b>PG</b>
• Shockproof lamp holder.....	<b>SP</b>
• Terminal block, 4-pole.....	<b>T</b>
• Terminal block, 6-pole.....	<b>T6</b>
• Frosted globe.....	<b>FST</b>
• Polycarbonate clear globe.....	<b>PG</b>
<i>Guard not provided</i>	
• Red globe .....	<b>RG</b>
• Blue globe.....	<b>BLU</b>
• Green globe .....	<b>GRN</b>
• Yellow globe .....	<b>YEL</b>
• Heat-resistant clear glass globe.....	<b>HR</b>
• Shallow dome reflector.....	<b>L</b>
• Angled dome reflector .....	<b>N</b>
• 277V, 60 Hz .....	<b>276</b>
<i>Available with compact fluorescent models only</i>	



Aluminum



Brass

## Entry options:

NPT trade size	Dead end	Through feed	90°	X positions
1/2"	E1	C1	L1	X1
3/4"	E2	C2	L2	X2
1"	E3	C3	L3	X3

## Ordering information:

Cat. #	Description	Material	Lamp size	Weight (lbs.)
<b>717A</b>	Ceiling mount	Aluminum	A-19 100W	3.0
<b>717A7</b>	Ceiling mount	Aluminum	A-21 150W	3.4
<b>F717A7-#</b>	Ceiling mount	Aluminum	CF	3.7
<b>718A</b>	Ceiling mount	Aluminum	PS-25 300W	4.2
<b>717B</b>	Ceiling mount	Brass	A-19 100W	6.5
<b>717B7</b>	Ceiling mount	Brass	A-21 150W	7.0
<b>F717B7-#</b>	Ceiling mount	Brass	CF	9.5
<b>718B</b>	Ceiling mount	Brass	PS-25 300W	9.5

# Enter compact fluorescent (CF) wattage desired: 18, 26 or 32.

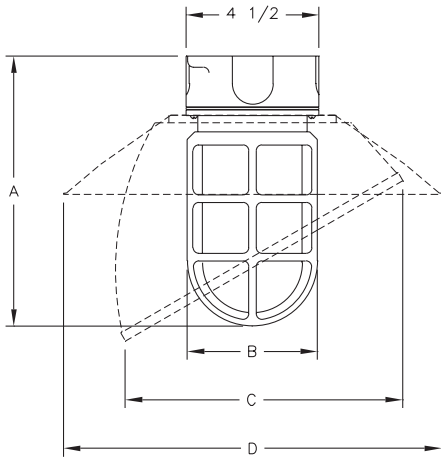
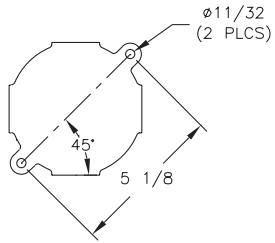
<sup>A</sup>Applicable for aluminum models only.

<sup>B</sup>Applicable for brass models only.

<sup>C</sup>Not for use with compact fluorescent models.

<sup>D</sup>100W incandescent and compact fluorescent models only.

## Dimensions (in inches):



Cat. #	A	B	With option N	With option L
			C	D
717A / 717B	9 $\frac{1}{8}$	4 $\frac{1}{4}$	9 $\frac{1}{4}$	12 $\frac{1}{2}$
717A7 / 717B7	9 $\frac{1}{8}$	4 $\frac{1}{4}$	9 $\frac{1}{4}$	12 $\frac{1}{2}$
718A / 718B	12 $\frac{1}{2}$	6	10 $\frac{3}{4}$	15 $\frac{3}{4}$

## Applications:

- Wall mount type
- Marine and watertight requirements
- Dusttight requirements
- Freezer and refrigeration<sup>A</sup>
- Pharmaceutical and additives formulation and processing<sup>A</sup>
- Wastewater treatment plants<sup>A</sup>
- Bridge and pier lighting
- Military ships<sup>B</sup>
- Coast Guard rescue vessels<sup>B</sup>

## Features:

- Available in 100, 150 and 300 watt incandescent or 18, 26 and 32 watt compact fluorescent
- High temperature silicone gasket provides a watertight seal
- Choice of wall or flush wall mount
- Protective guard provided
- A wide variety of globe materials and colors available

## Certifications and compliances:

- UL1598A – Luminaires for Marine Vessels
- Conforms to IP66
- Marine Outside Type Saltwater
- ABS

## Standard materials:

- Housing and guard – cast copper-free aluminum or cast marine brass (see listings)
- Hardware – stainless steel
- Gasket – one-piece silicone
- Lamp holder – high temperature PBT with nickel-plated copper screw shell; polycarbonate (for compact fluorescent models)
- Globe – glass; tempered glass; polycarbonate

## Technical specifications:

- Entries – standard units undrilled; up to 1" NPT four-way available
- Lamp holder – medium base; porcelain or shockproof (optional)
- Lamp type – incandescent or 4-pin compact fluorescent (lamp not provided)
- Voltage – incandescent rated to 300V; compact fluorescent rated to 120V, 50/60 Hz; 277V, 50/60 Hz (optional)
- Terminal block – 4-pole or 6-pole for incandescent models only (optional)
- Switch – 2-pole toggle switch with watertight boot (optional)

## Mounting options:

- Wall and flush mount

## Options:

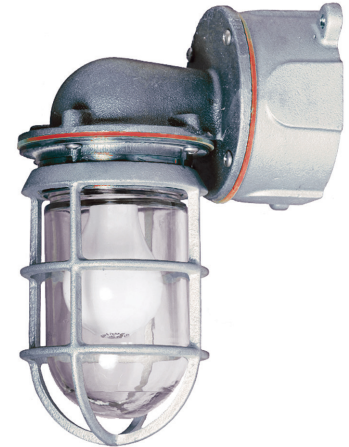
Description	Suffix
• 2-pole toggle switch .....	<b>K</b>
<i>Not available for flush mount models</i>	
• Porcelain lamp holder .....	<b>PO</b>
• Shockproof lamp holder.....	<b>SP</b>
• Terminal block, 4-pole.....	<b>T4</b>
• Terminal block, 6-pole.....	<b>T6</b>
• Frosted globe.....	<b>FST</b>
• Polycarbonate clear globe.....	<b>PG</b>
<i>Guard not provided</i>	
• Red globe .....	<b>RED</b>
• Blue globe.....	<b>BLU</b>
• Green globe.....	<b>GRN</b>
• Yellow globe .....	<b>YEL</b>
• Heat-resistant clear glass globe.....	<b>HR</b>
• 277V, 60 Hz .....	<b>276</b>
<i>Available with compact fluorescent models only</i>	

## Photometrics:

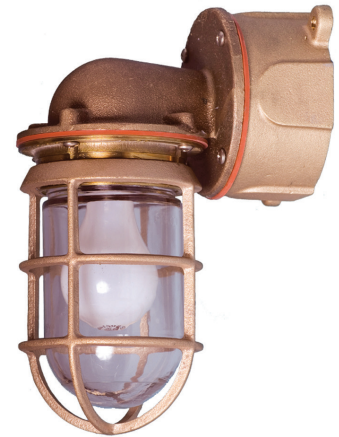
- Complete photometrics can be found at [www.crouse-hinds.com/photometrics](http://www.crouse-hinds.com/photometrics)

## Entry options:

NPT trade size	Dead end	Through feed	90°	X positions
1/2"	E1	C1	L1	X1
3/4"	E2	C2	L2	X2
1"	E3	C3	L3	X3



Aluminum



Brass

<sup>A</sup>Applicable for aluminum models only.

<sup>B</sup>Applicable for brass models only.

<sup>C</sup>Not for use with compact fluorescent models.

<sup>D</sup>100W incandescent and compact fluorescent models only.

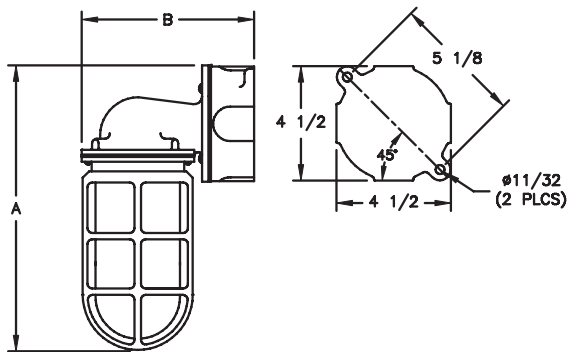


## Ordering information:

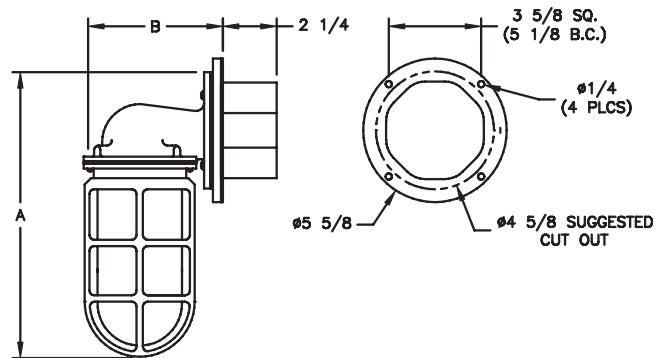
Cat. #	Description	Material	Lamp size	Weight (lbs.)	Box depth
729A	Wall mount	Aluminum	A-19 100W	3.2	2"
729A7	Wall mount	Aluminum	A-21 150W	3.4	2"
F729A7-#	Wall mount	Aluminum	CF	3.4	2"
730A	Wall mount	Aluminum	PS-25 300W	4.4	2"
729AF	Flush mount	Aluminum	A-19 100W	3.7	2 <sup>3</sup> / <sub>8</sub> "
729AF7	Flush mount	Aluminum	A-21 150W	4.1	2 <sup>3</sup> / <sub>8</sub> "
F729AF7-#	Flush mount	Aluminum	CF	4.1	2 <sup>3</sup> / <sub>8</sub> "
730AF	Flush mount	Aluminum	PS-25 300W	5.1	2 <sup>3</sup> / <sub>8</sub> "
729B	Wall mount	Brass	A-19 100W	8.0	2"
729B7	Wall mount	Brass	A-21 150W	8.5	2"
F729B7-#	Wall mount	Brass	CF	8.7	2"
730B	Wall mount	Brass	PS-25 300W	10.7	2"
729BF	Flush mount	Brass	A-19 100W	9.3	2 <sup>3</sup> / <sub>8</sub> "
729BF7	Flush mount	Brass	A-21 150W	9.5	2 <sup>3</sup> / <sub>8</sub> "
F729BF7-#	Flush mount	Brass	CF	9.7	2 <sup>3</sup> / <sub>8</sub> "
730BF	Flush mount	Brass	PS-25 300W	11.9	2 <sup>3</sup> / <sub>8</sub> "

# Enter compact fluorescent (CF) wattage desired: 18, 26 or 32.

## Dimensions (in inches):



729A/729B and 730A/730B



729AF/729BF and 730AF/730BF

Cat. #	A	B
729A / 729B	10 <sup>1</sup> / <sub>8</sub>	7 <sup>1</sup> / <sub>8</sub>
729A7 / 729B7	10 <sup>7</sup> / <sub>8</sub>	7 <sup>1</sup> / <sub>8</sub>
730A / 730B	13 <sup>1</sup> / <sub>2</sub>	9 <sup>3</sup> / <sub>16</sub>

Cat. #	A	B
729AF / 729BF	10 <sup>1</sup> / <sub>8</sub>	5 <sup>3</sup> / <sub>8</sub>
729AF7 / 729BF7	10 <sup>7</sup> / <sub>8</sub>	5 <sup>3</sup> / <sub>8</sub>
730AF / 730BF	13 <sup>1</sup> / <sub>2</sub>	7 <sup>13</sup> / <sub>16</sub>



## Applications:

- Wall mount type
- Marine and watertight requirements
- Dusttight requirements
- Freezer and refrigeration<sup>A</sup>
- Pharmaceutical and additives formulation and processing<sup>A</sup>
- Wastewater treatment plants<sup>A</sup>
- Bridge and pier lighting
- Military ships<sup>B</sup>
- Coast Guard rescue vessels<sup>B</sup>

## Features:

- Available in 100 and 150 watt incandescent
- Compact, one-piece wall mount design minimizes protrusion
- Wire access chamber for ease of installation and maintenance
- High temperature silicone gasket provides a watertight seal
- Protective guard provided
- A wide variety of globe materials and colors available

## Certifications and compliances:

- UL1598A – Luminaires for Marine Vessels
- Conforms to IP66
- Marine Outside Type Saltwater
- ABS

## Standard materials:

- Housing and guard – cast copper-free aluminum or cast marine brass (see listings)
- Hardware – stainless steel
- Gasket – one-piece silicone
- Lamp holder – high temperature PBT with nickel-plated copper screw shell
- Globe – glass; tempered glass; polycarbonate

## Technical specifications:

- Entries – standard two 1/2" NPT outlets; up to 3/4" NPT through feed available
- Lamp holder – medium base; porcelain or shockproof (optional)
- Lamp type – incandescent (lamp not provided)
- Voltage – rated up to 300 VAC
- Switch – 2-pole toggle switch with watertight boot (optional)

<sup>A</sup>Applicable for aluminum models only.  
<sup>B</sup>Applicable for brass models only.  
<sup>C</sup>100W incandescent models only.

## Mounting option:

- Wall mount

## Options:

- | Description                             | Suffix                |
|---|-----------------------|
| • 2-pole toggle switch .....            | <b>K</b>              |
| • Porcelain lamp holder .....           | <b>P</b>              |
| • Shockproof lamp holder.....           | <b>SP</b>             |
| • Terminal block, 4-pole.....           | <b>T</b>              |
| • Frosted globe.....                    | <b>FST</b>            |
| • Polycarbonate clear globe.....        | <b>PG<sup>C</sup></b> |
| <i>Guard not provided</i>               |                       |
| • Red globe .....                       | <b>RED</b>            |
| • Blue globe.....                       | <b>BLU</b>            |
| • Green globe.....                      | <b>GRN</b>            |
| • Yellow globe .....                    | <b>YEL</b>            |
| • Heat-resistant clear glass globe..... | <b>HR</b>             |

## Entry options:

NPT trade size	Dead end	Through feed
1/2"	E1	Std.
3/4"	E2	C2

## Photometrics:

- Complete photometrics can be found at [www.crouse-hinds.com/photometrics](http://www.crouse-hinds.com/photometrics)



Aluminum

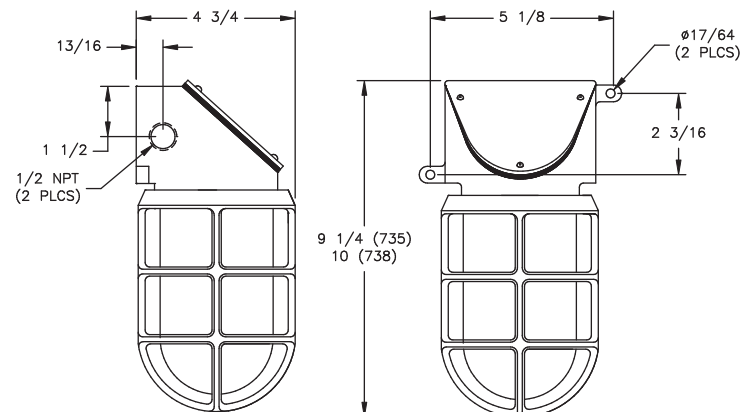


Brass

## Ordering information:

Cat. #	Description	Material	Lamp size	Weight (lbs.)
<b>735A</b>	Wall mount	Aluminum	A-19 100W	2.50
<b>738A</b>	Wall mount	Aluminum	A-21 150W	2.90
<b>735B</b>	Wall mount	Brass	A-19 100W	6.25
<b>738B</b>	Wall mount	Brass	A-21 150W	6.50

## Dimensions (in inches):



## Applications:

- Pendant mount type
- Marine and watertight requirements
- Dusttight requirements
- Freezer and refrigeration<sup>A</sup>
- Pharmaceutical and additives formulation and processing<sup>A</sup>
- Wastewater treatment plants<sup>A</sup>
- Bridge and pier lighting
- Military ships<sup>B</sup>
- Coast Guard rescue vessels<sup>B</sup>

## Features:

- Available in 100 and 150 watt incandescent
- Compact, one-piece pendant mount design
- High temperature silicone gasket provides a watertight seal
- Protective guard provided
- Choice of angled or shallow dome reflectors
- A wide variety of globe materials and colors available

## Certifications and compliances:

- UL1598A – Luminaires for Marine Vessels
- Conforms to IP66
- Marine Outside Type Saltwater
- ABS

## Standard materials:

- Housing and guard – cast copper-free aluminum or cast marine brass (see listings)
- Hardware – stainless steel
- Gasket – one-piece silicone
- Lamp holder – high temperature PBT with nickel-plated copper screw shell
- Globe – glass; tempered glass; polycarbonate
- Reflectors – glass-reinforced polyester (GRP)

## Technical specifications:

- Entries – standard one 1/2" NPT outlet; 3/4" NPT (optional)
- Lamp holder – medium base; porcelain or shockproof (optional)
- Lamp type – incandescent (lamp not provided)
- Voltage – rated up to 300 VAC

<sup>A</sup>Applicable for aluminum models only.

<sup>B</sup>Applicable for brass models only.

<sup>C</sup>100W incandescent models only.

## Mounting option:

- Pendant mount

## Options:

Description	Suffix
• Porcelain lamp holder .....	<b>P</b>
• Shockproof lamp holder.....	<b>SP</b>
• Frosted globe.....	<b>FST</b>
• Polycarbonate clear globe.....	<b>PG<sup>C</sup></b>
<i>Guard not provided</i>	
• Red globe .....	<b>RED</b>
• Blue globe.....	<b>BLU</b>
• Green globe .....	<b>GRN</b>
• Yellow globe .....	<b>YEL</b>
• Heat-resistant clear glass globe.....	<b>HR</b>
• 3/4" NPT mounting .....	<b>E2</b>
• Shallow dome reflector.....	<b>L</b>
• Angled dome reflector .....	<b>N</b>

## Photometrics:

- Complete photometrics can be found at [www.crouse-hinds.com/photometrics](http://www.crouse-hinds.com/photometrics)



Aluminum

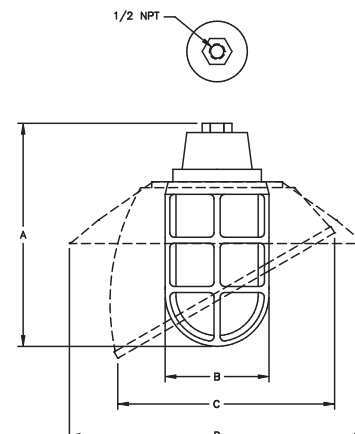


Brass

## Ordering information:

Cat. #	Description	Material	Lamp size	Weight (lbs.)
<b>767A</b>	Pendant mount	Aluminum	A-19 100W	1.6
<b>767A7</b>	Pendant mount	Aluminum	A-21 150W	1.8
<b>767B</b>	Pendant mount	Brass	100W	4.2
<b>767B7</b>	Pendant mount	Brass	150W	5.0

## Dimensions (in inches):



Cat. #	A	B	With option N	With option L
			C	D
767A / 767B	8 3/4	4 1/4	9 1/4	12 1/2
767A7 / 767B7	9 1/2	4 1/4	9 1/4	12 1/2