

Applications:

- Wall mount type
- Marine and watertight requirements
- Dusttight requirements
- Freezer and refrigeration^A
- Pharmaceutical and additives formulation and processing^A
- Wastewater treatment plants^A
- Bridge and pier lighting
- Military ships^B
- Coast Guard rescue vessels^B

Features:

- Available in 100 or 150 watt incandescent or 18, 26 and 32 watt compact fluorescent
- High temperature silicone gasket provides a watertight seal
- Choice of wall or flush wall mount
- Protective guard provided
- A wide variety of globe materials and colors available

Certifications and compliances:

- UL1598A – Luminaires for Marine Vessels
- Conforms to IP66
- Marine Outside Type Saltwater
- ABS

Standard materials:

- Housing and guard – cast copper-free aluminum or cast marine brass (see listings)
- Hardware – stainless steel
- Gasket – one-piece silicone
- Lamp holder – high temperature PBT with nickel-plated copper screw shell; polycarbonate (for compact fluorescent models)
- Globe – glass; tempered glass; polycarbonate

Photometrics:

- Complete photometrics can be found at www.crouse-hinds.com/photometrics

Technical specifications:

- Entries – standard units undrilled; up to 1" NPT four-way available
- Lamp holder – medium base; porcelain or shockproof (optional)
- Lamp type – incandescent or 4-pin compact fluorescent (lamp not provided)
- Voltage – incandescent rated to 300V; compact fluorescent rated to 120V, 50/60 Hz; 277V, 50/60 Hz (optional)
- Terminal block – 4-pole or 6-pole for incandescent models only (optional)

Mounting options:

- Wall or flush mount

Options:

Description	Suffix
• 2-pole toggle switch	K
<i>Not available for flush mount models</i>	
• Porcelain lamp holder	P [ⓐ]
• Shockproof lamp holder.....	SP
• Terminal block, 4-pole.....	T [ⓐ]
• Terminal block, 6-pole.....	T6 [ⓐ]
• Frosted globe.....	FST
• Polycarbonate clear globe.....	PG [ⓐ]
<i>Guard not provided</i>	
• Red globe	RED
• Blue globe.....	BLU
• Green globe	GRN
• Yellow globe	YEL
• Heat-resistant clear glass globe.....	HR
• 277V, 60 Hz	276
<i>Available with compact fluorescent models only</i>	



Aluminum



Brass

Entry options:

NPT trade size	Dead end	Through feed	90°	X positions
1/2"	E1	C1	L1	X1
3/4"	E2	C2	L2	X2
1"	E3	C3	L3	X3

Ordering information:

Cat. #	Description	Material	Lamp size	Weight (lbs.)	Box depth
707A	Wall mount	Aluminum	A-19 100W	2.80	2"
707A7	Wall mount	Aluminum	A-21 150W	2.80	2"
F707A7-#	Wall mount	Aluminum	CF	2.80	2"
707AF	Flush mount	Aluminum	A-19 100W	3.30	2 3/8"
707AF7	Flush mount	Aluminum	A-21 150W	3.30	2 3/8"
F707AF7-#	Flush mount	Aluminum	CF	2.80	2 3/8"
707B	Wall mount	Brass	A-19 100W	7.00	2"
707B7	Wall mount	Brass	A-21 150W	7.25	2"
F707B7-#	Wall mount	Brass	CF	7.45	2"
707BF	Flush mount	Brass	A-19 100W	8.25	2 3/8"
707BF7	Flush mount	Brass	A-21 150W	8.50	2 3/8"
F707BF-#	Flush mount	Brass	CF	8.70	2 3/8"

Enter compact fluorescent (CF) wattage desired: 18, 26 or 32.

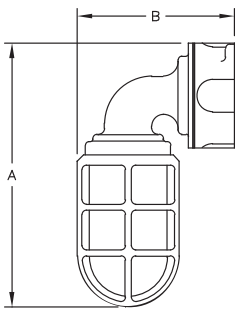
^AApplicable for aluminum models only.

^BApplicable for brass models only.

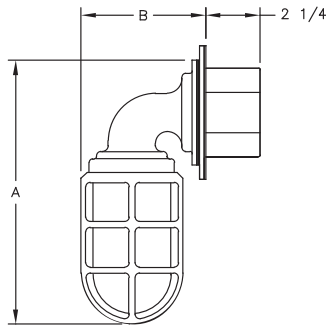
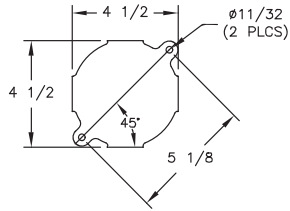
^CNot for use with compact fluorescent models.

^D100W incandescent and compact fluorescent models only.

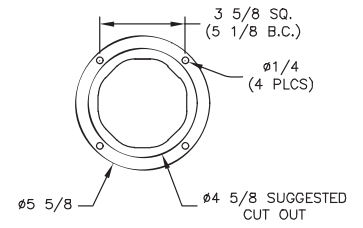
Dimensions (in inches):



707



707F



Cat. #	A	B
707A / 707B	11	6 ³ / ₄
707A7 / 707B7	11 ³ / ₄	6 ³ / ₄

Cat. #	A	B
707AF / 707BF	11	5
707AF7 / 707BF7	11 ³ / ₄	5

Applications:

- Ceiling mount type
- Marine and watertight requirements
- Dusttight requirements
- Freezer and refrigeration^A
- Pharmaceutical and additives formulation and processing^A
- Wastewater treatment plants^A
- Bridge and pier lighting
- Military ships^B
- Coast Guard rescue vessels^B

Features:

- Available in 100, 150 and 300 watt incandescent or 18, 26 and 32 watt compact fluorescent
- High temperature silicone gasket provides a watertight seal
- Protective guard provided
- A wide variety of globe materials and colors available

Certifications and compliances:

- UL1598A – Luminaires for Marine Vessels
- Conforms to IP66
- Marine Outside Type Saltwater
- ABS

Standard materials:

- Housing and guard – cast copper-free aluminum or cast marine brass (see listings)
- Hardware – stainless steel
- Gasket – one-piece silicone
- Lamp holder – high temperature PBT with nickel-plated copper screw shell; polycarbonate (for compact fluorescent models)
- Globe – glass; tempered glass; polycarbonate
- Reflectors – glass-reinforced polyester (GRP)

Photometrics:

- Complete photometrics can be found at www.crouse-hinds.com/photometrics

Technical specifications:

- Entries – standard units undrilled; up to 1" NPT four-way available
- Lamp holder – medium base; porcelain or shockproof (optional)
- Lamp type – incandescent or 4-pin compact fluorescent (lamp not provided)
- Voltage – incandescent rated to 300V; compact fluorescent rated to 120V, 50/60 Hz; 277V, 50/60 Hz (optional)
- Terminal block – 4-pole or 6-pole for incandescent models only (optional)

Mounting option:

- Ceiling mount

Options:

Description	Suffix
• 2-pole toggle switch	K
• Porcelain lamp holder	PG
• Shockproof lamp holder.....	SP
• Terminal block, 4-pole.....	T
• Terminal block, 6-pole.....	T6
• Frosted globe.....	FST
• Polycarbonate clear globe.....	PG
<i>Guard not provided</i>	
• Red globe	RG
• Blue globe.....	BLU
• Green globe	GRN
• Yellow globe	YEL
• Heat-resistant clear glass globe.....	HR
• Shallow dome reflector.....	L
• Angled dome reflector	N
• 277V, 60 Hz	276
<i>Available with compact fluorescent models only</i>	



Aluminum



Brass

Entry options:

NPT trade size	Dead end	Through feed	90°	X positions
1/2"	E1	C1	L1	X1
3/4"	E2	C2	L2	X2
1"	E3	C3	L3	X3

Ordering information:

Cat. #	Description	Material	Lamp size	Weight (lbs.)
717A	Ceiling mount	Aluminum	A-19 100W	3.0
717A7	Ceiling mount	Aluminum	A-21 150W	3.4
F717A7-#	Ceiling mount	Aluminum	CF	3.7
718A	Ceiling mount	Aluminum	PS-25 300W	4.2
717B	Ceiling mount	Brass	A-19 100W	6.5
717B7	Ceiling mount	Brass	A-21 150W	7.0
F717B7-#	Ceiling mount	Brass	CF	9.5
718B	Ceiling mount	Brass	PS-25 300W	9.5

Enter compact fluorescent (CF) wattage desired: 18, 26 or 32.

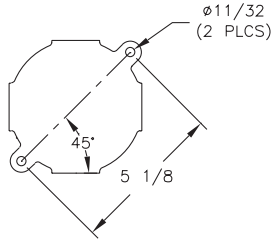
^AApplicable for aluminum models only.

^BApplicable for brass models only.

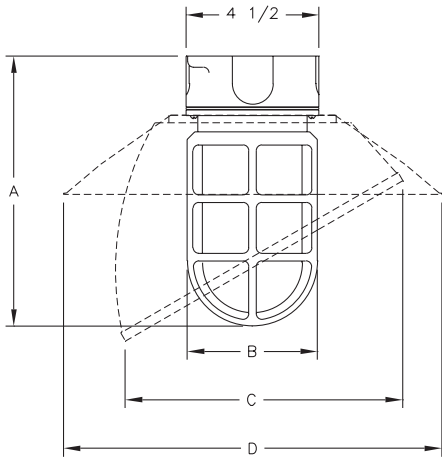
^CNot for use with compact fluorescent models.

^D100W incandescent and compact fluorescent models only.

Dimensions (in inches):



Cat. #	A	B	With option N	With option L
			C	D
717A / 717B	9 7/8	4 1/4	9 1/4	12 1/2
717A7 / 717B7	9 7/8	4 1/4	9 1/4	12 1/2
718A / 718B	12 1/2	6	10 1/4	15 1/4



Applications:

- Wall mount type
- Marine and watertight requirements
- Dusttight requirements
- Freezer and refrigeration^A
- Pharmaceutical and additives formulation and processing^A
- Wastewater treatment plants^A
- Bridge and pier lighting
- Military ships^B
- Coast Guard rescue vessels^B

Features:

- Available in 100, 150 and 300 watt incandescent or 18, 26 and 32 watt compact fluorescent
- High temperature silicone gasket provides a watertight seal
- Choice of wall or flush wall mount
- Protective guard provided
- A wide variety of globe materials and colors available

Certifications and compliances:

- UL1598A – Luminaires for Marine Vessels
- Conforms to IP66
- Marine Outside Type Saltwater
- ABS

Standard materials:

- Housing and guard – cast copper-free aluminum or cast marine brass (see listings)
- Hardware – stainless steel
- Gasket – one-piece silicone
- Lamp holder – high temperature PBT with nickel-plated copper screw shell; polycarbonate (for compact fluorescent models)
- Globe – glass; tempered glass; polycarbonate

Technical specifications:

- Entries – standard units undrilled; up to 1" NPT four-way available
- Lamp holder – medium base; porcelain or shockproof (optional)
- Lamp type – incandescent or 4-pin compact fluorescent (lamp not provided)
- Voltage – incandescent rated to 300V; compact fluorescent rated to 120V, 50/60 Hz; 277V, 50/60 Hz (optional)
- Terminal block – 4-pole or 6-pole for incandescent models only (optional)
- Switch – 2-pole toggle switch with watertight boot (optional)

Mounting options:

- Wall and flush mount

Options:

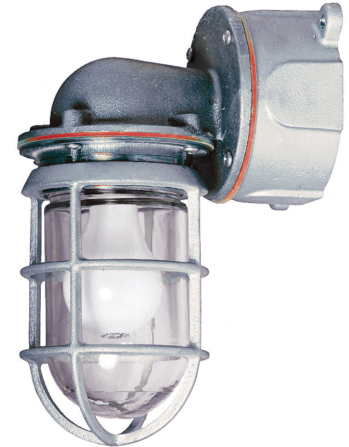
Description	Suffix
• 2-pole toggle switch	K
<i>Not available for flush mount models</i>	
• Porcelain lamp holder	PE
• Shockproof lamp holder.....	SP
• Terminal block, 4-pole.....	TE
• Terminal block, 6-pole.....	T6E
• Frosted globe.....	FST
• Polycarbonate clear globe.....	PGD
<i>Guard not provided</i>	
• Red globe	RED
• Blue globe.....	BLU
• Green globe.....	GRN
• Yellow globe	YEL
• Heat-resistant clear glass globe.....	HR
• 277V, 60 Hz	276
<i>Available with compact fluorescent models only</i>	

Photometrics:

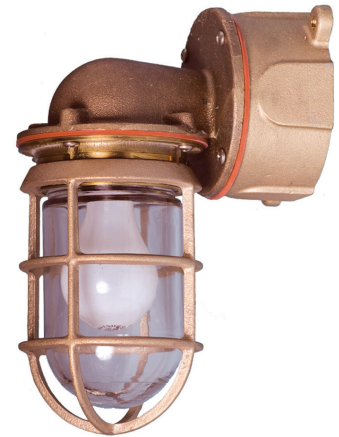
- Complete photometrics can be found at www.crouse-hinds.com/photometrics

Entry options:

NPT trade size	Dead end	Through feed	90°	X positions
1/2"	E1	C1	L1	X1
3/4"	E2	C2	L2	X2
1"	E3	C3	L3	X3



Aluminum



Brass

^AApplicable for aluminum models only.

^BApplicable for brass models only.

^CNot for use with compact fluorescent models.

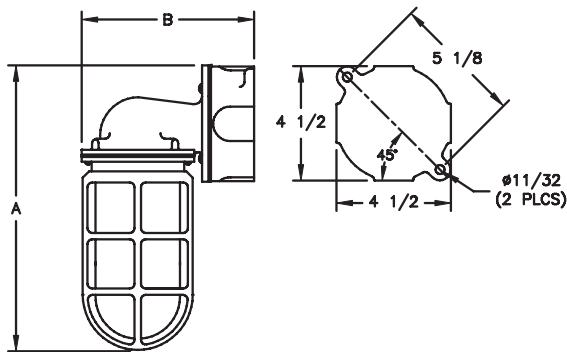
^D100W incandescent and compact fluorescent models only.

Ordering information:

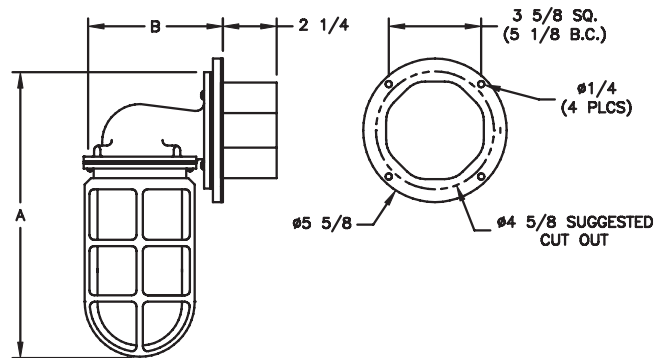
Cat. #	Description	Material	Lamp size	Weight (lbs.)	Box depth
729A	Wall mount	Aluminum	A-19 100W	3.2	2"
729A7	Wall mount	Aluminum	A-21 150W	3.4	2"
F729A7-#	Wall mount	Aluminum	CF	3.4	2"
730A	Wall mount	Aluminum	PS-25 300W	4.4	2"
729AF	Flush mount	Aluminum	A-19 100W	3.7	2 ³ / ₈ "
729AF7	Flush mount	Aluminum	A-21 150W	4.1	2 ³ / ₈ "
F729AF7-#	Flush mount	Aluminum	CF	4.1	2 ³ / ₈ "
730AF	Flush mount	Aluminum	PS-25 300W	5.1	2 ³ / ₈ "
729B	Wall mount	Brass	A-19 100W	8.0	2"
729B7	Wall mount	Brass	A-21 150W	8.5	2"
F729B7-#	Wall mount	Brass	CF	8.7	2"
730B	Wall mount	Brass	PS-25 300W	10.7	2"
729BF	Flush mount	Brass	A-19 100W	9.3	2 ³ / ₈ "
729BF7	Flush mount	Brass	A-21 150W	9.5	2 ³ / ₈ "
F729BF7-#	Flush mount	Brass	CF	9.7	2 ³ / ₈ "
730BF	Flush mount	Brass	PS-25 300W	11.9	2 ³ / ₈ "

Enter compact fluorescent (CF) wattage desired: 18, 26 or 32.

Dimensions (in inches):



729A/729B and 730A/730B



729AF/729BF and 730AF/730BF

Cat. #	A	B
729A / 729B	10 ¹ / ₈	7 ¹ / ₈
729A7 / 729B7	10 ⁷ / ₈	7 ¹ / ₈
730A / 730B	13 ¹ / ₂	9 ³ / ₁₆

Cat. #	A	B
729AF / 729BF	10 ¹ / ₈	5 ³ / ₈
729AF7 / 729BF7	10 ⁷ / ₈	5 ³ / ₈
730AF / 730BF	13 ¹ / ₂	7 ¹³ / ₁₆

Applications:

- Wall mount type
- Marine and watertight requirements
- Dusttight requirements
- Freezer and refrigeration^A
- Pharmaceutical and additives formulation and processing^A
- Wastewater treatment plants^A
- Bridge and pier lighting
- Military ships^B
- Coast Guard rescue vessels^B

Features:

- Available in 100 and 150 watt incandescent
- Compact, one-piece wall mount design minimizes protrusion
- Wire access chamber for ease of installation and maintenance
- High temperature silicone gasket provides a watertight seal
- Protective guard provided
- A wide variety of globe materials and colors available

Certifications and compliances:

- UL1598A – Luminaires for Marine Vessels
- Conforms to IP66
- Marine Outside Type Saltwater
- ABS

Standard materials:

- Housing and guard – cast copper-free aluminum or cast marine brass (see listings)
- Hardware – stainless steel
- Gasket – one-piece silicone
- Lamp holder – high temperature PBT with nickel-plated copper screw shell
- Globe – glass; tempered glass; polycarbonate

Technical specifications:

- Entries – standard two 1/2" NPT outlets; up to 3/4" NPT through feed available
- Lamp holder – medium base; porcelain or shockproof (optional)
- Lamp type – incandescent (lamp not provided)
- Voltage – rated up to 300 VAC
- Switch – 2-pole toggle switch with watertight boot (optional)

^AApplicable for aluminum models only.
^BApplicable for brass models only.
^C100W incandescent models only.

Mounting option:

- Wall mount

Options:

- | Description | Suffix |
|---|-----------------------|
| • 2-pole toggle switch | K |
| • Porcelain lamp holder | P |
| • Shockproof lamp holder..... | SP |
| • Terminal block, 4-pole..... | T |
| • Frosted globe..... | FST |
| • Polycarbonate clear globe..... | PG^C |
| <i>Guard not provided</i> | |
| • Red globe | RED |
| • Blue globe..... | BLU |
| • Green globe..... | GRN |
| • Yellow globe | YEL |
| • Heat-resistant clear glass globe..... | HR |

Entry options:

NPT trade size	Dead end	Through feed
1/2"	E1	Std.
3/4"	E2	C2

Photometrics:

- Complete photometrics can be found at www.crouse-hinds.com/photometrics



Aluminum

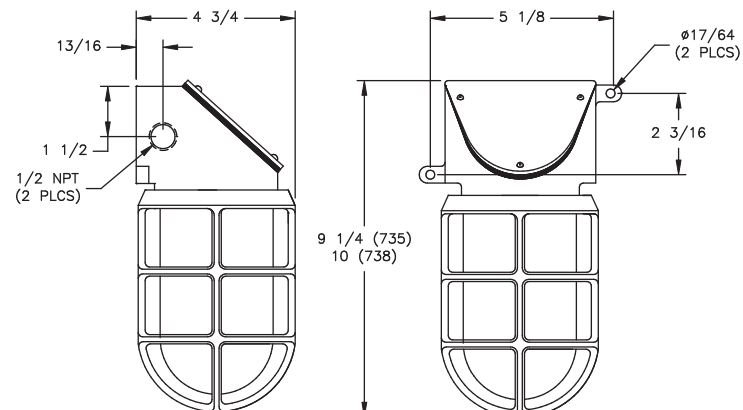


Brass

Ordering information:

Cat. #	Description	Material	Lamp size	Weight (lbs.)
735A	Wall mount	Aluminum	A-19 100W	2.50
738A	Wall mount	Aluminum	A-21 150W	2.90
735B	Wall mount	Brass	A-19 100W	6.25
738B	Wall mount	Brass	A-21 150W	6.50

Dimensions (in inches):



Applications:

- Pendant mount type
- Marine and watertight requirements
- Dusttight requirements
- Freezer and refrigeration^A
- Pharmaceutical and additives formulation and processing^A
- Wastewater treatment plants^A
- Bridge and pier lighting
- Military ships^B
- Coast Guard rescue vessels^B

Features:

- Available in 100 and 150 watt incandescent
- Compact, one-piece pendant mount design
- High temperature silicone gasket provides a watertight seal
- Protective guard provided
- Choice of angled or shallow dome reflectors
- A wide variety of globe materials and colors available

Certifications and compliances:

- UL1598A – Luminaires for Marine Vessels
- Conforms to IP66
- Marine Outside Type Saltwater
- ABS

Standard materials:

- Housing and guard – cast copper-free aluminum or cast marine brass (see listings)
- Hardware – stainless steel
- Gasket – one-piece silicone
- Lamp holder – high temperature PBT with nickel-plated copper screw shell
- Globe – glass; tempered glass; polycarbonate
- Reflectors – glass-reinforced polyester (GRP)

Technical specifications:

- Entries – standard one 1/2" NPT outlet; 3/4" NPT (optional)
- Lamp holder – medium base; porcelain or shockproof (optional)
- Lamp type – incandescent (lamp not provided)
- Voltage – rated up to 300 VAC

^AApplicable for aluminum models only.

^BApplicable for brass models only.

^C100W incandescent models only.

Mounting option:

- Pendant mount

Options:

Description	Suffix
• Porcelain lamp holder	P
• Shockproof lamp holder.....	SP
• Frosted globe.....	FST
• Polycarbonate clear globe.....	PG^C
<i>Guard not provided</i>	
• Red globe	RED
• Blue globe.....	BLU
• Green globe	GRN
• Yellow globe	YEL
• Heat-resistant clear glass globe.....	HR
• 3/4" NPT mounting	E2
• Shallow dome reflector.....	L
• Angled dome reflector	N

Photometrics:

- Complete photometrics can be found at www.crouse-hinds.com/photometrics



Aluminum

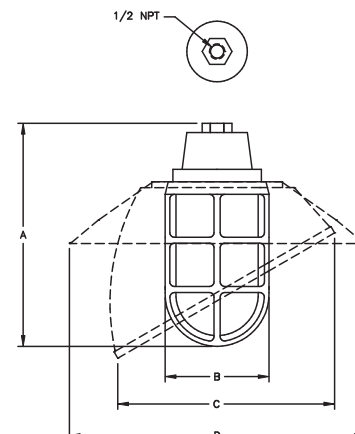


Brass

Ordering information:

Cat. #	Description	Material	Lamp size	Weight (lbs.)
767A	Pendant mount	Aluminum	A-19 100W	1.6
767A7	Pendant mount	Aluminum	A-21 150W	1.8
767B	Pendant mount	Brass	100W	4.2
767B7	Pendant mount	Brass	150W	5.0

Dimensions (in inches):



Cat. #	A	B	With option N	With option L
			C	D
767A / 767B	8 3/4	4 1/4	9 1/4	12 1/2
767A7 / 767B7	9 1/2	4 1/4	9 1/4	12 1/2

Applications:

- Wall mount type
- Marine and watertight requirements
- Dusttight requirements
- Military ships
- Coast Guard rescue vessels
- Bridge and pier lighting

Features:

- Available in 100 and 150 watt incandescent or 18, 26 and 32 watt compact fluorescent
- High temperature silicone gasket provides a watertight seal
- 30° angled dome reflector can be rotated and secured in any orientation
- Protective guard provided
- A wide variety of globe materials and colors available

Certifications and compliances:

- UL1598A – Luminaires for Marine Vessels
- Conforms to IP66
- Marine Outside Type Saltwater
- ABS

Standard materials:

- Housing and guard – cast marine brass
- Hardware – stainless steel
- Gasket – one-piece silicone
- Reflector – Acrylonitrile Butadiene Styrene (ABS), gloss white
- Lamp holder – high temperature PBT with nickel-plated copper screw shell; polycarbonate (for compact fluorescent models)
- Globe – glass; tempered glass; polycarbonate

Technical specifications:

- Entries – standard units undrilled; up to 1" NPT four-way available
- Lamp holder – medium base; porcelain or shockproof (optional)
- Lamp type – incandescent or 4-pin compact fluorescent (lamp not provided)
- Voltage – incandescent rated to 300V; compact fluorescent rated to 120V, 50/60 Hz; 277V, 50/60 Hz (optional)
- Terminal block – 4-pole or 6-pole for incandescent models only (optional)
- Switch – 2-pole toggle switch with watertight boot (optional)

Mounting option:

- Wall mount

Options:

Description	Suffix
• 2-pole toggle switch	K
• Porcelain lamp holder	PA
• Shockproof lamp holder.....	SP
• Terminal block, 4-pole.....	TA
• Terminal block, 6-pole.....	T6A
• Frosted globe.....	FST
• Polycarbonate clear globe.....	PG
<i>Guard not provided</i>	
• Red globe	RED
• Blue globe.....	BLU
• Green globe	GRN
• Yellow globe	YEL
• Heat-resistant clear glass globe.....	HR
• 277 VAC, 60 Hz.....	276
<i>Available with compact fluorescent models only</i>	



Photometrics:

- Complete photometrics can be found at www.crouse-hinds.com/photometrics

Entry options:

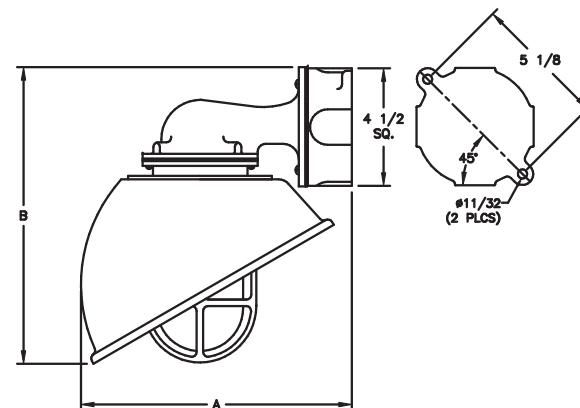
NPT trade size	Dead end	Through feed	90°	X positions
1/2"	E1	C1	L1	X1
3/4"	E2	C2	L2	X2
1"	E3	C3	L3	X3

Ordering information:

Cat. #	Description	Lamp size	Weight (lbs.)	Box depth
1729BM	Wall mount	A-19 100W	11.0	2"
1729BM7	Wall mount	A-21 150W	11.0	2"
F1729BM7-#	Wall mount	CF	11.0	2"

Enter compact fluorescent (CF) wattage desired: 18, 26 or 32.

Dimensions (in inches):



Cat. #	A	B
1729M	11 1/4	11 1/4
1729M7	11 1/4	11 1/4

^ANot for use with compact fluorescent models.

^B100W incandescent or compact fluorescent models only.