

## Applications:

- Berth and mirror
- Marine interior
- Under cabinet mounting
- State room
- Head

## Features:

- Compact design
- Adjustable shade
- Single-pole switch provided
- Lamp provided

## Certifications and compliances:

- UL1598A – Luminaires for Marine Vessels
- Conforms to IP40
- Marine Inside Type
- ABS

## Standard materials and finishes:

- Housing and shade – Type 5052H32 aluminum with an electrostatically applied white polyester powder coat finish; minimum 90° reflectance
- End caps – white polycarbonate
- Lamp holder – polycarbonate

## Technical specifications:

- Entries – one 1/2" and one 3/4" NPT knockout
- Lamp holder – mini bi-pin
- Convenience outlet – 125V, 2-pole, 3-wire U-ground (optional) (not available on 220V models)
- Switch – push type momentary contact; 2-pole toggle (optional)
- Ballast – 120 VAC, 60 Hz

Watts	Ballast / socket type	ANSI lamp code	Starting temperature	Max. ambient °C <sup>Ⓐ</sup>
8	T5 mini bi-pin G5	F8T5	50°F (10°C)	55

## Mounting option:

- Wall mount, through luminaire interior

## Photometrics:

- Complete photometrics can be found at [www.crouse-hinds.com/photometrics](http://www.crouse-hinds.com/photometrics)



## Options:

Description	Suffix
• Convenience outlet.....	CO
• Two-pole toggle switch.....	DS
• 220V, 50 Hz.....	225 <sup>Ⓑ</sup>
• 220V, 60 Hz.....	226 <sup>Ⓑ</sup>

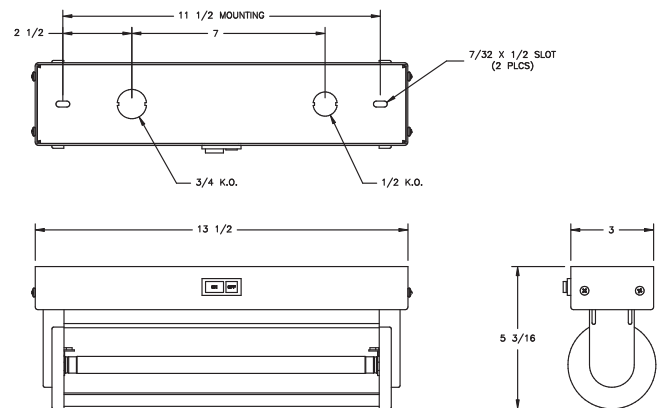
## Ordering information:

Cat. #	Description	No. of lamps	Weight (lbs.)
F1062	Berth/mirror type	1	2.0

## Accessories (ordered separately):

Cat. #	Description
FX5012	Ballast
FX3509	Lamp, F8T5
FX4029	Lamp holder
FX3029	Push type switch

## Dimensions (in inches):



<sup>Ⓐ</sup>Contact factory for optional higher ambient models.

<sup>Ⓑ</sup>Not available with convenience outlet.