

Applications:

- Berth and mirror
- Marine interior
- Under cabinet mounting
- State room
- Head

Features:

- Compact design
- Adjustable shade
- Two-pole switch and convenience outlet provided

Certifications and compliances:

- UL1598A – Luminaires for Marine Vessels
- Conforms to IP40
- Marine Inside Type
- ABS

Standard materials and finishes:

- Housing and shade – Type 5052H32 aluminum with an electrostatically applied white polyester powder coat finish; minimum 90° reflectance
- End caps – white polycarbonate
- Lamp holder – thermoplastic

Technical specifications:

- Entries – one 1/2" and one 3/4" NPT knockout
- Lamp holder – bi-pin
- Convenience outlet – 125V, 2-pole, 3-wire U-ground; no convenience outlet (optional) (not provided on 220V models)
- Ballast – 120 VAC, 60 Hz

Watts	Ballast / socket type	ANSI lamp code	Starting temperature	Max. ambient °C [Ⓐ]
15	T8 bi-pin G13	F15T8	50°F (10°C)	40

Mounting option:

- Wall mount, through luminaire interior

Photometrics:

- Complete photometrics can be found at www.crouse-hinds.com/photometrics



Options:

Description	Suffix
• Lamp.....	L[Ⓑ]
• Luminaire without convenience outlet.....	LCO
• Terminal block.....	T
• 220V, 50 Hz.....	225[Ⓒ]
• 220V, 60 Hz.....	226[Ⓒ]

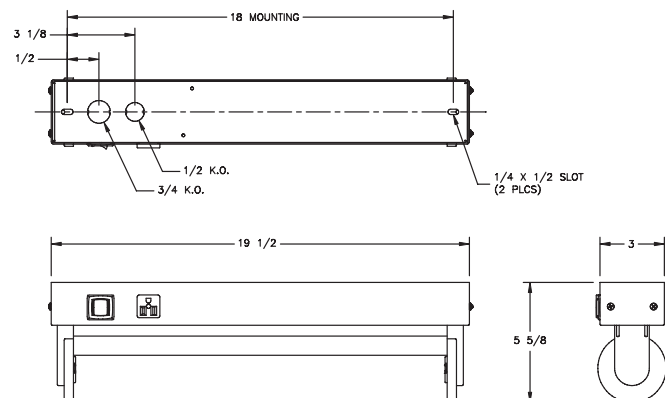
Ordering information:

Cat. #	Description	No. of lamps	Weight (lbs.)
F1061	Berth/mirror type	1	7.3

Accessories (ordered separately):

Cat. #	Description
FX5009	Ballast
CX3001	Convenience outlet
FX4001	Lamp holder
INX3379	Two-pole rocker switch
FX3508	Lamp, F15T8
FX4539W	Shade

Dimensions (in inches):



[Ⓐ]Contact factory for optional higher ambient models.

[Ⓑ]Lamps are not included unless option 'L' is specified.

[Ⓒ]Not available with convenience outlet.