

HazHelideck

1158D2/1159D2/al



FEATURES

- CAP 437 compliant.
- Steady burn marker.
- High temperature silicone gaskets provide a watertight seal.
- Watertight mounting in any direction.
- Heat and impact resistant glass fresnel lens.
- Protective guard available.

APPLICATIONS

- CAP 437 requirements
- Obstruction marking
- Heli-pad marking
- Hazardous locations
- Ceiling/surface and stem/pendant mount types
- Marine and watertight requirements
- Oil and gas exploration and production

APPROVALS

- Class I Division 2 Groups A, B, C & D
- Class I Zone 2 Groups IIA, IIB, IIB + H2 and IIC
- Type 4X
- Conforms to IP66
- ABS

STANDARDS

- UL 844 - Hazardous Locations
- UL 1598 - Luminaires
- Complies with CAP 437

TECHNICAL SPECIFICATIONS

HOUSING

Cast copper free aluminum.

GUARD

Optional cast copper free aluminum.

HARDWARE

Stainless steel.

ENTRIES

Stem/pendant type - one 3/4" NPT.

Ceiling/surface type - one 1/2" NPT, up to 3/4" NPT four way available. See ENTRY OPTIONS for selections.

GASKETS

One piece silicone.

MOUNTING

Ceiling/surface or stem/pendant type.

LAMP HOLDER

Medium base, high temperature PBT. Nickel plated copper screw shell.

LAMP TYPE

A-19 100w vertical filament, provided.

LENS

Tempered green fresnel glass.

VOLTAGE

Rated to 250v.

TERMINAL BLOCK

Optional 4 pole terminal block. Not available on stem/pendant models.

TEMPERATURE CODES

Lens Color	Lamp Size	Temp Code at 40°C	
		Stem	Surface
GRN	A-19 100w VF	T2	T2C

ORDERING REFERENCES

PART NUMBER	MOUNT	WEIGHT LBS*
1158AGRND27	Stem/Pendant	3.6
1159AGRND27	Ceiling/Surface	3.6

*Add .3 lbs for guard.

SPECIAL OPTIONS

- T - 4 Pole Terminal Block (Ceiling/Surface models)
- GRD - Guard

ENTRY OPTIONS

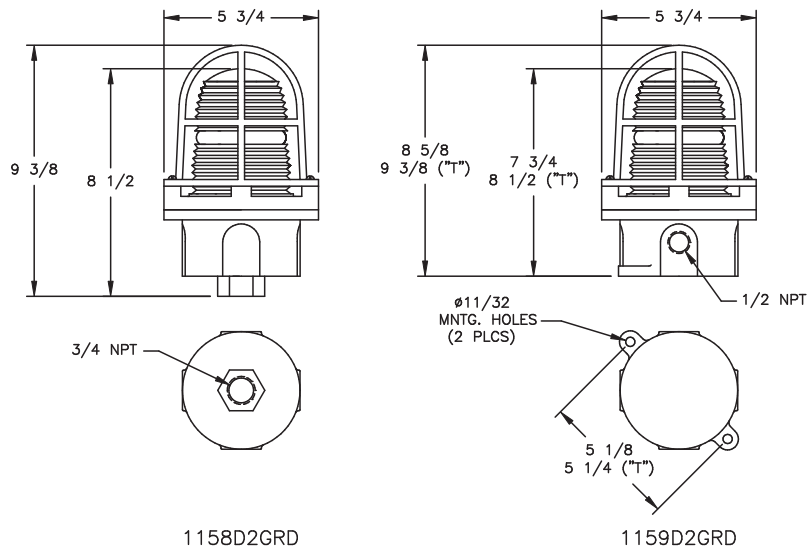
1159D2 Ceiling/Surface Models

NPT Trade Size	Dead End	Thru Feed	90 Degree	X-Positions
1/2"	Std.	C1	L1	X1
3/4"	E2	C2	L2	X2

SPARE PARTS

Part No.	Description
INX4000	LAMP HOLDER, Standard PBT
CX3070	TERMINAL BLOCK 4 Pole
GKT1143	GASKET SET
INX1004A	GUARD
INX2058G-FS	LENS (5" Overall Length)
INX3737	LAMP A-19 100w VF

DIMENSIONS



Dimensions in inches

HazHelideck 1158D2/1159D2/br



FEATURES

- CAP 437 compliant.
- Steady burn marker.
- High temperature silicone gaskets provide a watertight seal.
- Watertight mounting in any direction.
- Heat and impact resistant glass fresnel lens.
- Protective guard available.

APPLICATIONS

- CAP 437 requirements
- Obstruction marking
- Heli-pad marking
- Hazardous locations
- Ceiling/surface and stem/pendant mount types
- Marine and watertight requirements
- Oil and gas exploration and production

APPROVALS

- Class I Division 2 Groups A, B, C & D
- Class I Zone 2 Groups IIA, IIB, IIB + H2 and IIC
- Type 4X
- Conforms to IP66
- ABS

STANDARDS

- UL 844 - Hazardous Locations
- UL 1598 - Luminaires
- Complies with CAP 437

TECHNICAL SPECIFICATIONS

HOUSING

Cast marine brass.

GUARD

Optional cast marine brass.

HARDWARE

Stainless steel.

ENTRIES

Stem/pendant type - one 3/4" NPT.

Ceiling/surface type - one 1/2" NPT, up to 3/4" NPT four way available. See ENTRY OPTIONS for selections.

GASKETS

One piece silicone.

MOUNTING

Ceiling/surface or stem/pendant type.

LAMP HOLDER

Medium base, high temperature PBT. Nickel plated copper screw shell.

LAMP TYPE

A-19 100w vertical filament, provided.

LENS

Tempered green fresnel glass.

VOLTAGE

Rated to 250v.

TERMINAL BLOCK

Optional 4 pole terminal block. Not available on stem/pendant models.

TEMPERATURE CODES

Lens Color	Lamp Size	Temp Code at 40°C	
		Stem	Surface
GRN	A-19 100w VF	T2	T2C

ORDERING REFERENCES

PART NUMBER	MOUNT	WEIGHT LBS*
1158BGRND27	Stem/Pendant	7.9
1159BGRND27	Ceiling/Surface	7.9

*Add 1.1 lbs for guard.

SPECIAL OPTIONS

- T - 4 Pole Terminal Block (Ceiling/Surface models)
- GRD - Guard

ENTRY OPTIONS

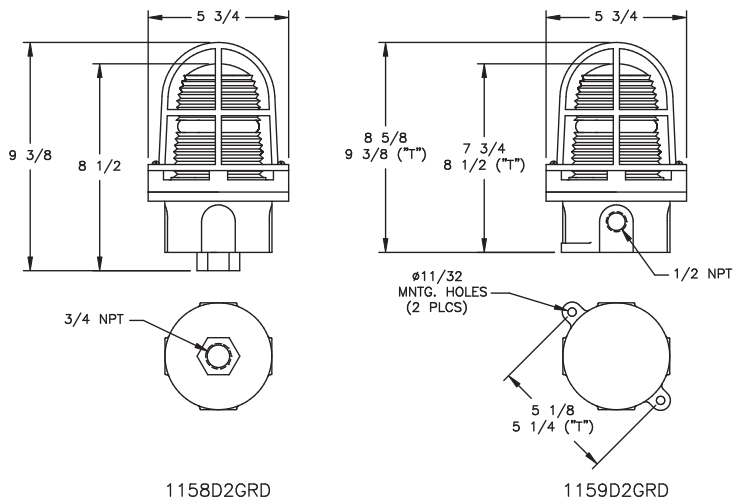
1159D2 Ceiling/Surface Models

NPT Trade size	Dead End	Thru Feed	90 Degree	X-Positions
1/2"	Std.	C1	L1	X1
3/4"	E2	C2	L2	X2

SPARE PARTS

Part No.	Description
INX4000	LAMP HOLDER, Standard PBT
CX3070	TERMINAL BLOCK 4 Pole
GKT1143	GASKET SET
INX1004B	GUARD
INX2058G-FS	LENS (5" Overall Length)
INX3737	LAMP A-19 100w VF

DIMENSIONS



Dimensions in inches