

Hazard-Gard EVLS explosionproof luminaires

Cl. I, Div. 1, Groups B (with suffix GB), C, D
Cl. I, Zone 1, Group IIB + H₂ (with suffix GB)
Cl. II, Cl. III & Simultaneous Presence

UL/cUL Listed
Marine & Wet Locations
Type 4X, IP66

4L

A compact, affordable, explosionproof luminaire that has the best overall temperature performance ratings in its class.

The Hazard-Gard® EVLS is perfect as a general area lighting workhorse where space constraints exist. The Hazard-Gard EVLS is easy to install, 175 watts or less, has select options that are just right for your budget – and it's Class I, Division 1, Group B with GB option.

Applications:

Hazard-Gard EVLS luminaires are used for general lighting and task lighting in:

- Areas where flammable or explosive vapors or gases are present
- Confined spaces or heavy process industry facilities
- Petroleum refineries; chemical, petrochemical and pharmaceutical plants; oil terminals; gas plants
- Waste treatment facilities
- Drilling platforms and other coastal and offshore hazardous areas

Features:

- Compact and rugged – a Division 1 luminaire that fits in tight spaces
- Smooth turning two start Acme threads for mounting modules and globe attachments save time and eliminate installation damage
- Quick-connect design facilitates easy installation and saves money – install and wire the mounting module, and then screw in luminaire to make the electrical connection
- Best overall T-rating in the industry for a medium base HID lamp – use in elevated ambient and illuminate the most volatile areas of your facility – optimal safety in your high risk areas
- Factory sealed – wired and sealed with no external sealing fittings required in Groups B, C and D
- An adapter module is available for direct connection to existing Hazard-Gard modules, such as the EV22 ceiling mount
- Medium base lamp

Certifications and compliances:

UL Listed (UL844) and cUL Listed (CSA C22.2 No. 137) for:

- Class I, Division 1, Groups B (with suffix GB), C, D
- Class I, Zone 1, Group IIB + H₂ (with suffix GB)
- Class II, Class III & Simultaneous Presence
- Wet locations (UL1598)
- Marine locations (UL1598A)
- Type 4X, IP66

Standard materials:

- Bodies, mounting modules and cast guards – copper-free aluminum
- Wire guard – stainless steel
- Globe – heat- and impact-resistant glass
- Gaskets – silicone and neoprene

Standard finish:

- Epoxy powder coat paint

Electrical ratings:

Sources/wattages:

- HID medium base (initial offering)
High pressure sodium (HPS) – 50, 70, 100, 150W
Metal halide (MH) – 70, 100, 175W
Pulse start metal halide (PSMH) – 150, 175W

Voltages:

- Multi-tap (120, 208, 240, 277V, 60 Hz)
- 480V, 60 Hz
- Tri-tap (120, 277, 347V, 60 Hz)
- 220V, 60 Hz
- 220/240V (or 230V), 50 Hz

Transformer types:

- HX-HPF standard
- CWA standard on 175W
CWA (Constant Wattage Autotransformer)
CWI (Constant Wattage Insulation Transformer)
Available for HPS and MH, for most voltages and wattages (additional voltages available upon request)

Conduit entries:

- 3/4" and 1" NPT – pendant, ceiling and wall mount
- 1 1/2" NPT – stanchion mount

Options:

Description	Suffix
• Instant restrike (HPS only).....	IR
• Ballast-Gard (HPS only).....	BG
• Group B suitability	GB

Note: BG and IR options cannot be used together.

Accessories (ordered separately):

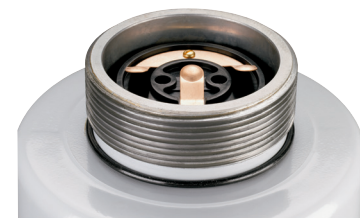
Description	Cat. #
• Dome reflector	RD725
• Angle reflector	RA725
• Guard	EV502 or P515

Photometrics:

- Complete photometrics can be found at www.crouse-hinds.com/photometrics



Two start Acme threads



Quick-connect design



Adapter module available

Hazard-Gard EVLS explosionproof luminaires

Cl. I, Div. 1, Groups B (with suffix GB), C, D
Cl. I, Zone 1, Group IIB + H₂ (with suffix
GB)
Cl. II, Cl. III & Simultaneous Presence

UL/cUL Listed
Marine & Wet Locations
Type 4X, IP66

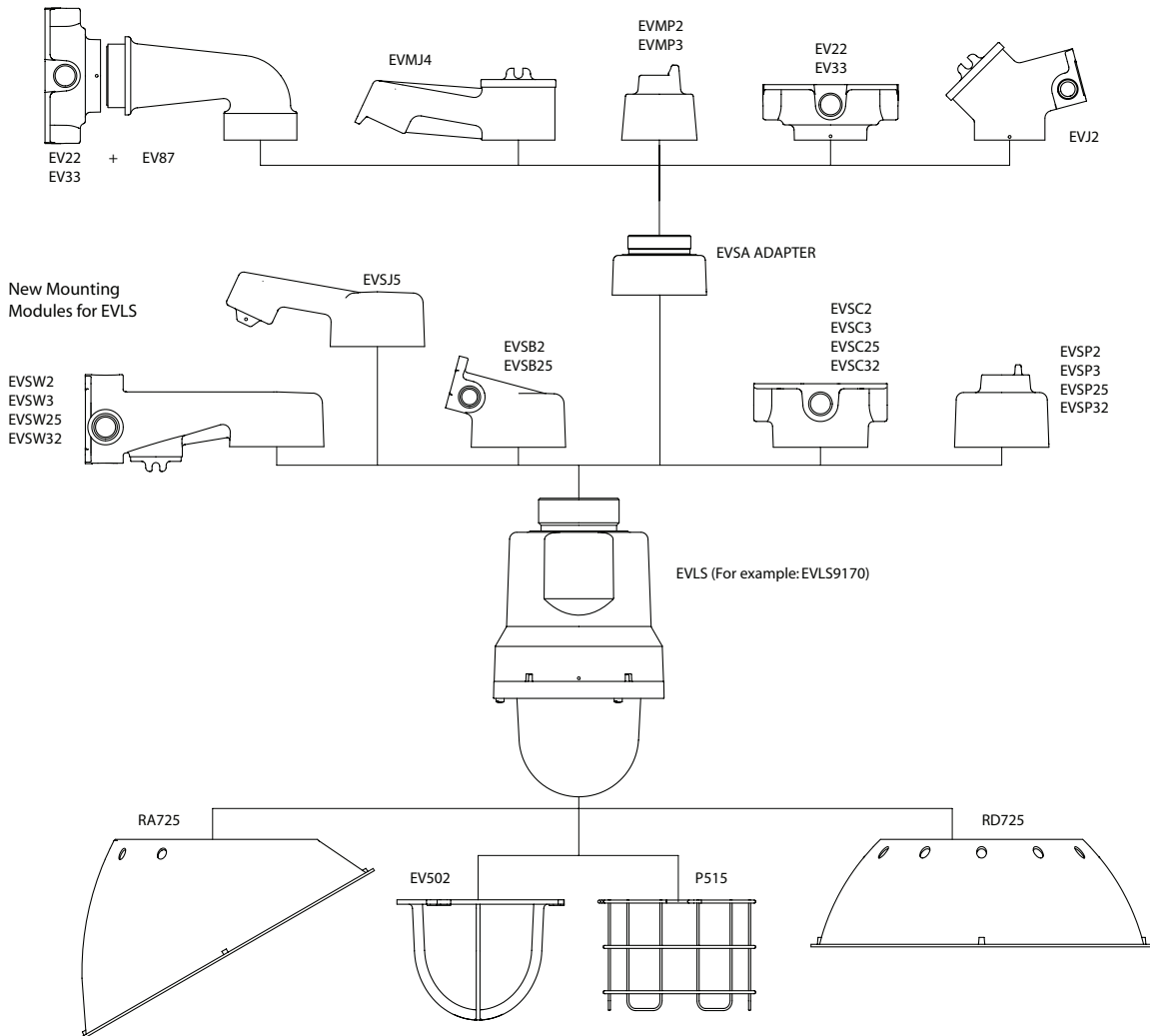
4L

Mounting modules:

Existing for EVI, EVLP, EVM (must use EVSA adapter)			New mounting modules (for EVLS only)	
Type	Conduit size	Cat. #	Conduit size	Cat. #
Adapter		EVSA		
Pendant mount	3/4"	EVMP2	3/4"	EVSP2
	1"	EVMP3	1"	EVSP3
			25mm	EVSP25
Ceiling mount and wall box			32mm	EVSP32
	3/4"	EV22	3/4"	EVSC2
	1"	EV33	1"	EVSC3
			25mm	EVSC25
			32mm	EVSC32
Wall bracket arm	Use EV22 or EV33 box with EV87		3/4"	EVSW2
		EV87	1"	EVSW3
			25mm	EVSW25
			32mm	EVSW32
Stanchion mount	1 1/2"	EVMJ4	1 1/2"	EVSJ5
Bulkhead mount	1 1/4"	EVJ2	3/4"	EVSB2
			25mm	EVSB25

Family tree:

Existing Mounting
Modules used on
EVI, EVLP, EVM
(must use EVSA adapter)



Hazard-Gard EVLS explosionproof luminaires

Cl. I, Div. 1, Groups B (with suffix GB), C, D
Cl. I, Zone 1, Group IIB + H₂ (with suffix
GB)
Cl. II, Cl. III & Simultaneous Presence

UL/cUL Listed
Marine & Wet Locations
Type 4X, IP66

4L

Ordering information:

Part number example
EVLSA42100/MT IR

4L

EVLS
A
4
2
10
0
/MT
IR

Series

EVLS	Low profile luminaire
-------------	-----------------------

Mounting

A	Pendant
BX	Wall
CX	Ceiling
BH	Bulkhead
J	Stanchion
M	Mounting module adapter

Entry^A

2	¾" NPT (pendant, ceiling, bulkhead, wall mounts only)
3	1" NPT (pendant, ceiling, wall mounts only)
5	1½" NPT (stanchion mount only)
25	25mm (pendant, ceiling, bulkhead, wall mounts only)
32	32mm (pendant, ceiling, wall mounts only)

Lamp type

4	High pressure sodium
9	Metal halide

Wattage

05	50W HPS
07	70W HPS, MH
10	100W HPS, MH
15	150W HPS, pulse start MH
17	175W MH, pulse start MH

Optional guard

0	Globe only, no guard
1	Stainless steel wire guard
2	Cast aluminum guard

Options

BG	Ballast-Gard (lamp type HPS only)
CWI	SCE ballast
GB	Group B suitability
IR	Instant restrike (lamp type HPS only)
S828	Pulse start (150W and 175W MH only)

Note: BG and IR options cannot be used together.

Voltage and frequency

	HPS				MH				
	50	70	100	150	70	100	150 PS	175	175 PS
DT	x								
MT		x	x	x	x	x	x		x
TT		x	x	x	x	x		x	x
120	x	x	x	x	x	x	x		x
208		x	x	x	x	x	x		x
220		x	x	x	x				
220 50	x	x	x	x	x	x	x		
240		x	x	x	x	x	x		x
240 50	x	x	x	x	x	x	x		
277	x	x	x	x	x	x	x		x
347		x	x	x	x	x			x
480		x	x	x		x			

^AOmit entry section from catalog number for mounting module adapter.

Hazard-Gard EVLS explosionproof luminaires

Cl. I, Div. 1, Groups B (with suffix GB), C, D
Cl. I, Zone 1, Group IIB + H₂ (with suffix
GB)
Cl. II, Cl. III & Simultaneous Presence

UL/cUL Listed
Marine & Wet Locations
Type 4X, IP66

4L

Temperature performance data:

High pressure sodium

Watts	Ambient temp. °C	Class I, Div. 1 and Zone 1	Class II (dust) and Class III	Supply wire °C
50	40	T5	T5	90
	55	T4A	—	90
	65	T4A	—	105
70	40	T5	T5	90
	55	T4A	—	90
	65	T4A	—	105
100	40	T4A	T3C	90
	55	T4	—	90
	65	T4	—	105
150	40	T4A	T3C	90
	55	T4	—	90

Metal halide (including pulse start (PS) as indicated)

Watts	Ambient temp. °C	Class I, Div. 1 and Zone 1	Class II (dust) and Class III	Supply wire °C
70	40	T5	T4A	90
	55	T4A	—	90
	65	T4A	—	105
100	40	T4A	T4	90
	55	T4A	—	90
	65	T4	—	105
150 PS	40	T3C	—	90
175	40	T3C	—	90
175 PS	40	T3C	—	90

Net luminaire weights:

Luminaire series	Lamp watts	Luminaire with globe, wire guard (lbs.)
High pressure sodium (EVLS4)	50	18.50
	70	21.50
	100	22.50
	150	24.00
Metal halide (EVLS9)	70	20.00
	100	20.50
	150 PS	23.00
	175	23.00
	175 PS	23.00

Type	Weight (lbs.)	Type	Weight (lbs.)
Add mounting modules:			
Pendant	2.00	Bulkhead	2.50
Ceiling	3.50	Wall	5.50
Stanchion	3.00	Adapter	2.00
Add reflectors:			
Dome	1.50	Angle	2.00
Add cast guard:			
Cast guard	1.00		

Hazard-Gard EVLS explosionproof luminaires

50-150W high pressure sodium

Cl. I, Div. 1, Groups B (with suffix GB), C, D

Cl. I, Zone 1, Group IIB + H₂ (with suffix GB)

Cl. II, Cl. III & Simultaneous Presence

UL/cUL Listed
Marine & Wet Locations
Type 4X, IP66

4L

Ordering information – high pressure sodium:



Watts	Hub size	Pendant mount			Bulkhead mount		
		Cat. # Without guard	Cat. # With wire guard	Cat. # With cast guard	Cat. # Without guard	Cat. # With wire guard	Cat. # With cast guard
50	3/4"	EVLSA42050	EVLSA42051	EVLSA42052	EVLSBH42050	EVLSBH42051	EVLSBH42052
	1"	EVLSA43050	EVLSA43051	EVLSA43052			
	25mm	EVLSA425050	EVLSA425051	EVLSA425052	EVLSBH425050	EVLSBH425051	EVLSBH425052
	32mm	EVLSA432050	EVLSA432051	EVLSA432052			
70	3/4"	EVLSA42070	EVLSA42071	EVLSA42072	EVLSBH42070	EVLSBH42071	EVLSBH42072
	1"	EVLSA43070	EVLSA43071	EVLSA43072			
	25mm	EVLSA425070	EVLSA425071	EVLSA425072	EVLSBH425070	EVLSBH425071	EVLSBH425072
	32mm	EVLSA432070	EVLSA432071	EVLSA432072			
100	3/4"	EVLSA42100	EVLSA42101	EVLSA42102	EVLSBH42100	EVLSBH42101	EVLSBH42102
	1"	EVLSA43100	EVLSA43101	EVLSA43102			
	25mm	EVLSA425100	EVLSA425101	EVLSA425102	EVLSBH425100	EVLSBH425101	EVLSBH425102
	32mm	EVLSA432100	EVLSA432101	EVLSA432102			
150	3/4"	EVLSA42150	EVLSA42151	EVLSA42152	EVLSBH42150	EVLSBH42151	EVLSBH42152
	1"	EVLSA43150	EVLSA43151	EVLSA43152			
	25mm	EVLSA425150	EVLSA425151	EVLSA425152	EVLSBH425150	EVLSBH425151	EVLSBH425152
	32mm	EVLSA432150	EVLSA432151	EVLSA432152			

Complete catalog number as follows:

Standard voltage ballasts

	NEC/UL			CEC/CSA (cUL)						Export		
Voltage	Multi-tap	120V	480V	Tri-tap	120V	208V CWI	240V CWI	480V CWI	600V CWI	220V 60 Hz	220V 50 Hz	240V 50 Hz
Suffix	/MT	/120	/480	/TT	/120	/208 CWI	/240 CWI	/480 CWI	/600 CWI	/220	/220 50	/240 50

Hazard-Gard EVLS explosionproof luminaires

50-150W high pressure sodium

Cl. I, Div. 1, Groups B (with suffix GB), C, D
Cl. I, Zone 1, Group IIB + H₂ (with suffix GB)
Cl. II, Cl. III & Simultaneous Presence

UL/cUL Listed
Marine & Wet Locations
Type 4X, IP66

4L

Ordering information – high pressure sodium (continued):



Watts	Hub size	Wall mount			Ceiling mount		
		Cat. # Without guard	Cat. # With wire guard	Cat. # With cast guard	Cat. # Without guard	Cat. # With wire guard	Cat. # With cast guard
50	3/4"	EVLSBX42050	EVLSBX42051	EVLSBX42052	EVLSCX42050	EVLSCX42051	EVLSCX42052
	1"	EVLSBX43050	EVLSBX43051	EVLSBX43052	EVLSCX43050	EVLSCX43051	EVLSCX43052
	25mm	EVLSBX425050	EVLSBX425051	EVLSBX425052	EVLSCX425050	EVLSCX425051	EVLSCX425052
	32mm	EVLSBX432050	EVLSBX432051	EVLSBX432052	EVLSCX432050	EVLSCX432051	EVLSCX432052
70	3/4"	EVLSBX42070	EVLSBX42071	EVLSBX42072	EVLSCX42070	EVLSCX42071	EVLSCX42072
	1"	EVLSBX43070	EVLSBX43071	EVLSBX43072	EVLSCX43070	EVLSCX43071	EVLSCX43072
	25mm	EVLSBX425070	EVLSBX425071	EVLSBX425072	EVLSCX425070	EVLSCX425071	EVLSCX425072
	32mm	EVLSBX432070	EVLSBX432071	EVLSBX432072	EVLSCX432070	EVLSCX432071	EVLSCX432072
100	3/4"	EVLSBX42100	EVLSBX42101	EVLSBX42102	EVLSCX42100	EVLSCX42101	EVLSCX42102
	1"	EVLSBX43100	EVLSBX43101	EVLSBX43102	EVLSCX43100	EVLSCX43101	EVLSCX43102
	25mm	EVLSBX425100	EVLSBX425101	EVLSBX425102	EVLSCX425100	EVLSCX425101	EVLSCX425102
	32mm	EVLSBX432100	EVLSBX432101	EVLSBX432102	EVLSCX432100	EVLSCX432101	EVLSCX432102
150	3/4"	EVLSBX42150	EVLSBX42151	EVLSBX42152	EVLSCX42150	EVLSCX42151	EVLSCX42152
	1"	EVLSBX43150	EVLSBX43151	EVLSBX43152	EVLSCX43150	EVLSCX43151	EVLSCX43152
	25mm	EVLSBX425150	EVLSBX425151	EVLSBX425152	EVLSCX425150	EVLSCX425151	EVLSCX425152
	32mm	EVLSBX432150	EVLSBX432151	EVLSBX432152	EVLSCX432150	EVLSCX432151	EVLSCX432152

Complete catalog number as follows:

Standard voltage ballasts

Voltage Suffix	NEC/UL			CEC/CSA (cUL)						Export		
	Multi-tap /MT	120V /120	480V /480	Tri-tap /TT	120V /120	208V CWI /208 CWI	240V CWI /240 CWI	480V CWI /480 CWI	600V CWI /600 CWI	220V 60 Hz /220	220V 50 Hz /220 50	240V 50 Hz /240 50

Hazard-Gard EVLS explosionproof luminaires

50-150W high pressure sodium

Cl. I, Div. 1, Groups B (with suffix GB), C, D
Cl. I, Zone 1, Group IIB + H₂ (with suffix GB)
Cl. II, Cl. III & Simultaneous Presence

UL/cUL Listed
Marine & Wet Locations
Type 4X, IP66

4L

Ordering information – high pressure sodium (continued):



Watts	Hub size	Stanchion mount			Adapter			Luminaire less mounting module and guard
		Cat. # Without guard	Cat. # With wire guard	Cat. # With cast guard	Cat. # Without guard	Cat. # With wire guard	Cat. # With cast guard	
50	Adapter				EVLSM4050	EVLSM4051	EVLSM4052	EVLS4050
	1 1/2"	EVLSJ45050	EVLSJ45051	EVLSJ45052				
70	Adapter				EVLSM4070	EVLSM4071	EVLSM4072	EVLS4070
	1 1/2"	EVLSJ45070	EVLSJ45071	EVLSJ45072				
100	Adapter				EVLSM4100	EVLSM4101	EVLSM4102	EVLS4100
	1 1/2"	EVLSJ45100	EVLSJ45101	EVLSJ45102				
150	Adapter				EVLSM4150	EVLSM4151	EVLSM4152	EVLS4150
	1 1/2"	EVLSJ45150	EVLSJ45151	EVLSJ45152				

Complete catalog number as follows:

Standard voltage ballasts

Voltage Suffix	NEC/UL			CEC/CSA (cUL)					Export			
	Multi-tap /MT	120V /120	480V /480	Tri-tap /TT	120V /120	208V CWI /208 CWI	240V CWI /240 CWI	480V CWI /480 CWI	600V CWI /600 CWI	220V 60 Hz /220	220V 50 Hz /220 50	240V 50 Hz /240 50

Hazard-Gard EVLS explosionproof luminaires

150-175W pulse start metal halide

Cl. I, Div. 1, Groups B (with suffix GB), C, D
Cl. I, Zone 1, Group IIB + H₂ (with suffix GB)
Cl. II, Cl. III & Simultaneous Presence

UL/cUL Listed
Marine & Wet Locations
Type 4X, IP66

4L

Ordering information – pulse start metal halide:



Watts	Hub size	Pendant mount			Bulkhead mount		
		Cat. # Without guard	Cat. # With wire guard	Cat. # With cast guard	Cat. # Without guard	Cat. # With wire guard	Cat. # With cast guard
150	3/4"	EVLSA92150 S828	EVLSA92151 S828	EVLSA92152 S828	EVLSBH92150 S828	EVLSBH92151 S828	EVLSBH92152 S828
	1"	EVLSA93150 S828	EVLSA93151 S828	EVLSA93152 S828			
	25mm	EVLSA925150 S828	EVLSA925151 S828	EVLSA925152 S828	EVLSBH925150 S828	EVLSBH925151 S828	EVLSBH925152 S828
	32mm	EVLSA932150 S828	EVLSA932151 S828	EVLSA932152 S828			
175	3/4"	EVLSA92170 S828	EVLSA92171 S828	EVLSA92172 S828	EVLSBH92170 S828	EVLSBH92171 S828	EVLSBH92172 S828
	1"	EVLSA93170 S828	EVLSA93171 S828	EVLSA93172 S828			
	25mm	EVLSA925170 S828	EVLSA925171 S828	EVLSA925172 S828	EVLSBH925170 S828	EVLSBH925171 S828	EVLSBH925172 S828
	32mm	EVLSA932170 S828	EVLSA932171 S828	EVLSA932172 S828			

Ordering information – pulse start metal halide (continued):



Watts	Hub size	Wall mount			Ceiling mount		
		Cat. # Without guard	Cat. # With wire guard	Cat. # With cast guard	Cat. # Without guard	Cat. # With wire guard	Cat. # With cast guard
150	3/4"	EVLSBX92150 S828	EVLSBX92151 S828	EVLSBX92152 S828	EVLSCX92150 S828	EVLSCX92151 S828	EVLSCX92152 S828
	1"	EVLSBX93150 S828	EVLSBX93151 S828	EVLSBX93152 S828	EVLSCX93150 S828	EVLSCX93151 S828	EVLSCX93152 S828
	25mm	EVLSBX925150 S828	EVLSBX925151 S828	EVLSBX925152 S828	EVLSCX925150 S828	EVLSCX925151 S828	EVLSCX925152 S828
	32mm	EVLSBX932150 S828	EVLSBX932151 S828	EVLSBX932152 S828	EVLSCX932150 S828	EVLSCX932151 S828	EVLSCX932152 S828
175	3/4"	EVLSBX92170 S828	EVLSBX92171 S828	EVLSBX92172 S828	EVLSCX92170 S828	EVLSCX92171 S828	EVLSCX92172 S828
	1"	EVLSBX93170 S828	EVLSBX93171 S828	EVLSBX93172 S828	EVLSCX93170 S828	EVLSCX93171 S828	EVLSCX93172 S828
	25mm	EVLSBX925170 S828	EVLSBX925171 S828	EVLSBX925172 S828	EVLSCX925170 S828	EVLSCX925171 S828	EVLSCX925172 S828
	32mm	EVLSBX932170 S828	EVLSBX932171 S828	EVLSBX932172 S828	EVLSCX932170 S828	EVLSCX932171 S828	EVLSCX932172 S828

Complete catalog number as follows:

Standard voltage ballasts

NEC/UL			
Voltage	Multi-tap	120V	480V
Suffix	/MT	/120	/480

Hazard-Gard EVLS explosionproof luminaires

150-175W pulse start metal halide

Cl. I, Div. 1, Groups B (with suffix GB), C, D
Cl. I, Zone 1, Group IIB + H₂ (with suffix GB)
Cl. II, Cl. III & Simultaneous Presence

UL/cUL Listed
Marine & Wet Locations
Type 4X, IP66

4L

Ordering information – pulse start metal halide (continued):



Watts	Hub size	Stanchion mount			Adapter			Luminaire less mounting module and guard
		Cat. # Without guard	Cat. # With wire guard	Cat. # With cast guard	Cat. # Without guard	Cat. # With wire guard	Cat. # With cast guard	
150	Adapter				EVLSM9150 S828	EVLSM9151 S828	EVLSM9152 S828	EVLS9150 S828
	1 1/2"	EVLSJ95150 S828	EVLSJ95151 S828	EVLSJ95152 S828				
	Adapter				EVLSM9170 S828	EVLSM9171 S828	EVLSM9172 S828	EVLS9100 S828
175	3/4"							EVLS9170 S828
	1 1/2"	EVLSJ95170 S828	EVLSJ95171 S828	EVLSJ95172 S828				

Complete catalog number as follows:

Standard voltage ballasts

		NEC/UL		
Voltage	Multi-tap	120V	480V	
Suffix	/MT	/120	/480	

4L

Hazard-Gard EVLS explosionproof luminaires

70-175W metal halide

Cl. I, Div. 1, Groups B (with suffix GB), C, D
Cl. I, Zone 1, Group IIB + H₂ (with suffix GB)
Cl. II, Cl. III & Simultaneous Presence

UL/cUL Listed
Marine & Wet Locations
Type 4X, IP66

4L

Ordering information – metal halide:



Watts	Hub size	Pendant mount			Bulkhead mount		
		Cat. # Without guard	Cat. # With wire guard	Cat. # With cast guard	Cat. # Without guard	Cat. # With wire guard	Cat. # With cast guard
70	3/4"	EVLSA92070	EVLSA92071	EVLSA92072	EVLSBH92070	EVLSBH92071	EVLSBH92072
	1"	EVLSA93070	EVLSA93071	EVLSA93072			
	25mm	EVLSA925070	EVLSA925071	EVLSA925072	EVLSBH925070	EVLSBH925071	EVLSBH925072
	32mm	EVLSA932070	EVLSA932071	EVLSA932072			
100	3/4"	EVLSA92100	EVLSA92101	EVLSA92102	EVLSBH92100	EVLSBH92101	EVLSBH92102
	1"	EVLSA93100	EVLSA93101	EVLSA93102			
	25mm	EVLSA925100	EVLSA925101	EVLSA925102	EVLSBH925100	EVLSBH925101	EVLSBH925102
	32mm	EVLSA932100	EVLSA932101	EVLSA932102			
175 [ⓑ]	3/4"	EVLSA92170	EVLSA92171	EVLSA92172	EVLSBH92170	EVLSBH92171	EVLSBH92172
	1"	EVLSA93170	EVLSA93171	EVLSA93172			
	25mm	EVLSA925170	EVLSA925171	EVLSA925172	EVLSBH925170	EVLSBH925171	EVLSBH925172
	32mm	EVLSA932170	EVLSA932171	EVLSA932172			

Complete catalog number as follows:

Standard voltage ballasts

NEC/UL		CEC/CSA (cUL)					Export						
Voltage	Multi-tap	120V	480V	Tri-tap	120V	208V CWI	240V CWI	480V CWI	600V CWI	220V 60 Hz	220V 50 Hz	230V [ⓐ] 50 Hz	240V 50 Hz
Suffix	/MT	/120	/480	/TT	/120	/208 CWI	/240 CWI	/480 CWI	/600 CWI	/220	/220 50	/230 50	/240 50

[ⓑ]Export only.

[ⓐ]Available for 175W only.

Hazard-Gard EVLS explosionproof luminaires

70-175W metal halide

Cl. I, Div. 1, Groups B (with suffix GB), C, D
Cl. I, Zone 1, Group IIB + H₂ (with suffix GB)
Cl. II, Cl. III & Simultaneous Presence

UL/cUL Listed
Marine & Wet Locations
Type 4X, IP66

4L

Ordering information – metal halide (continued):



Watts	Hub size	Wall mount			Ceiling mount		
		Cat. # Without guard	Cat. # With wire guard	Cat. # With cast guard	Cat. # Without guard	Cat. # With wire guard	Cat. # With cast guard
70	3/4"	EVLSBX92070	EVLSBX92071	EVLSBX92072	EVLSCX92070	EVLSCX92071	EVLSCX92072
	1"	EVLSBX93070	EVLSBX93071	EVLSBX93072	EVLSCX93070	EVLSCX93071	EVLSCX93072
	25mm	EVLSBX925070	EVLSBX925071	EVLSBX925072	EVLSCX925070	EVLSCX925071	EVLSCX925072
	32mm	EVLSBX932070	EVLSBX932071	EVLSBX932072	EVLSCX932070	EVLSCX932071	EVLSCX932072
100	3/4"	EVLSBX92100	EVLSBX92101	EVLSBX92102	EVLSCX92100	EVLSCX92101	EVLSCX92102
	1"	EVLSBX93100	EVLSBX93101	EVLSBX93102	EVLSCX93100	EVLSCX93101	EVLSCX93102
	25mm	EVLSBX925100	EVLSBX925101	EVLSBX925102	EVLSCX925100	EVLSCX925101	EVLSCX925102
	32mm	EVLSBX932100	EVLSBX932101	EVLSBX932102	EVLSCX932100	EVLSCX932101	EVLSCX932102
175 ^D	3/4"	EVLSBX92170	EVLSBX92171	EVLSBX92172	EVLSCX92170	EVLSCX92171	EVLSCX92172
	1"	EVLSBX93170	EVLSBX93171	EVLSBX93172	EVLSCX93170	EVLSCX93171	EVLSCX93172
	25mm	EVLSBX925170	EVLSBX925171	EVLSBX925172	EVLSCX925170	EVLSCX925171	EVLSCX925172
	32mm	EVLSBX932170	EVLSBX932171	EVLSBX932172	EVLSCX932170	EVLSCX932171	EVLSCX932172

Complete catalog number as follows:

Standard voltage ballasts

	NEC/UL				CEC/CSA (cUL)					Export			
Voltage	Multi-tap	120V	480V	Tri-tap	120V	208V CWI	240V CWI	480V CWI	600V CWI	220V 60 Hz	220V 50 Hz	230V ^E 50 Hz	240V 50 Hz
Suffix	/MT	/120	/480	/TT	/120	/208 CWI	/240 CWI	/480 CWI	/600 CWI	/220	/220 50	/230 50	/240 50

^D Export only.

^E Available for 175W only.

Hazard-Gard EVLS explosionproof luminaires

70-175W metal halide

Cl. I, Div. 1, Groups B (with suffix GB), C, D
Cl. I, Zone 1, Group IIB + H₂ (with suffix GB)
Cl. II, Cl. III & Simultaneous Presence

UL/cUL Listed
Marine & Wet Locations
Type 4X, IP66

4L

Ordering information – metal halide (continued):



Watts	Hub size	Stanchion mount			Adapter			Luminaire less mounting module and guard
		Cat. # Without guard	Cat. # With wire guard	Cat. # With cast guard	Cat. # Without guard	Cat. # With wire guard	Cat. # With cast guard	
70	Adapter				EVLSM9070	EVLSM9071	EVLSM9072	EVLS9070
	1 1/2"	EVLSJ95070	EVLSJ95071	EVLSJ95072				
100	Adapter				EVLSM9100	EVLSM9101	EVLSM9102	EVLS9100
	1 1/2"	EVLSJ95100	EVLSJ95101	EVLSJ95102				
175 [Ⓢ]	Adapter				EVLSM9170	EVLSM9171	EVLSM9172	EVLS9170
	3/4" 1 1/2"	EVLSJ95170	EVLSJ95171	EVLSJ95172				

Complete catalog number as follows:

Standard voltage ballasts

NEC/UL		CEC/CSA (cUL)						Export					
Voltage	Multi-tap	120V	480V	Tri-tap	120V	208V CWI	240V CWI	480V CWI	600V CWI	220V 60 Hz	220V 50 Hz	230V [Ⓢ] 50 Hz	240V 50 Hz
Suffix	/MT	/120	/480	/TT	/120	/208 CWI	/240 CWI	/480 CWI	/600 CWI	/220	/220 50	/230 50	/240 50

[Ⓢ]Export only.

[Ⓢ]Available for 175W only.

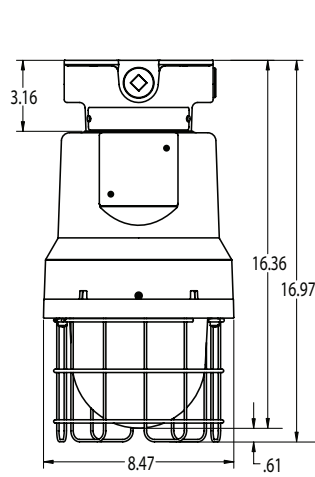
Hazard-Gard EVLS explosionproof luminaires

Cl. I, Div. 1, Groups B (with suffix GB), C, D
Cl. I, Zone 1, Group IIB + H₂ (with suffix GB)
Cl. II, Cl. III & Simultaneous Presence

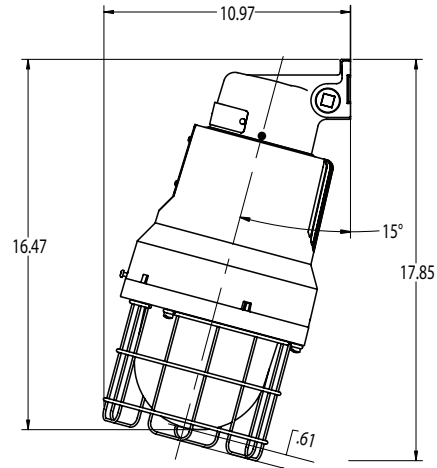
UL/cUL Listed
Marine & Wet Locations
Type 4X, IP66

4L

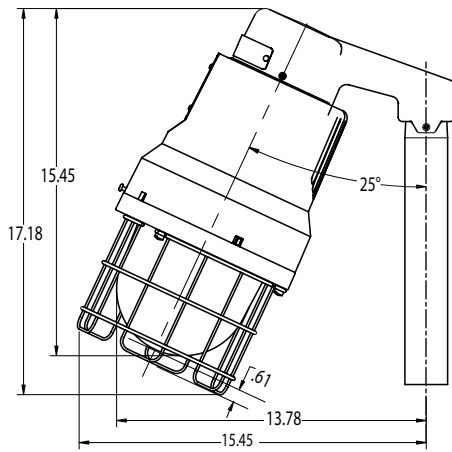
Dimensions (shown with new mounting modules):



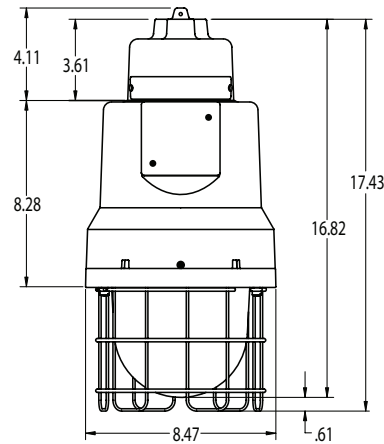
CEILING MOUNT



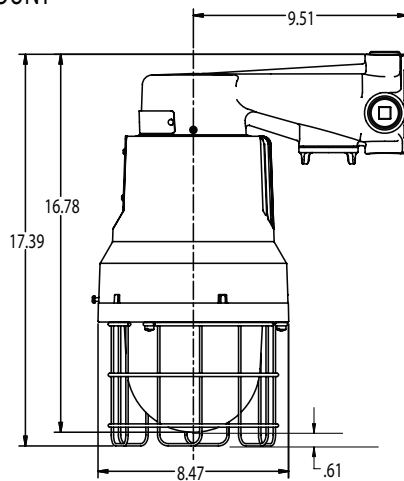
BULKHEAD MOUNT



STANCHION MOUNT



PENDANT MOUNT



WALL MOUNT

4L

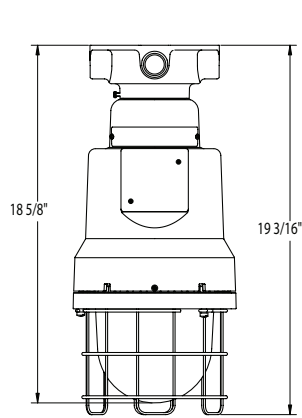
Hazard-Gard EVLS explosionproof luminaires

Cl. I, Div. 1, Groups B (with suffix GB), C, D
Cl. I, Zone 1, Group IIB + H₂ (with suffix GB)
Cl. II, Cl. III & Simultaneous Presence

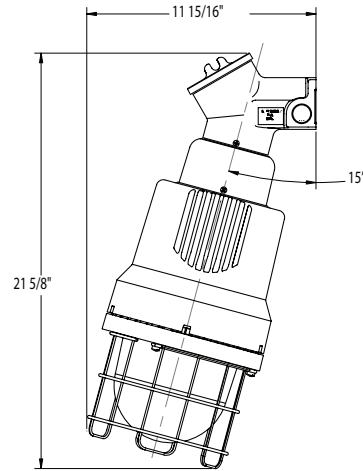
UL/cUL Listed
Marine & Wet Locations
Type 4X, IP66

4L

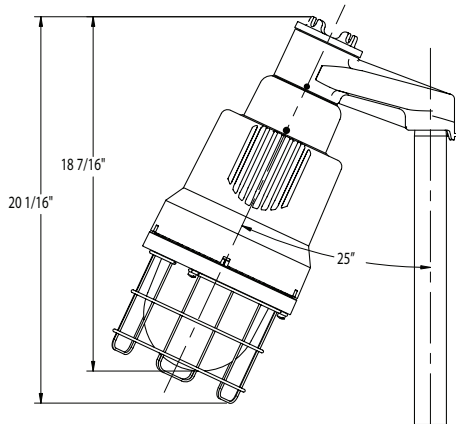
Dimensions (shown with existing mounting modules and EVSA adapter):



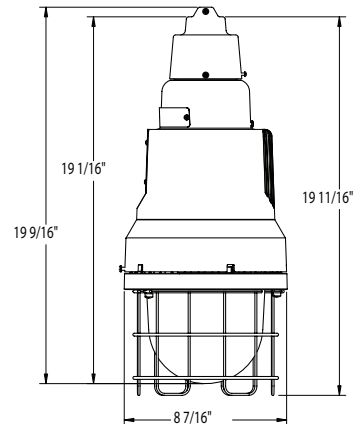
CEILING MOUNT EV22, EV33



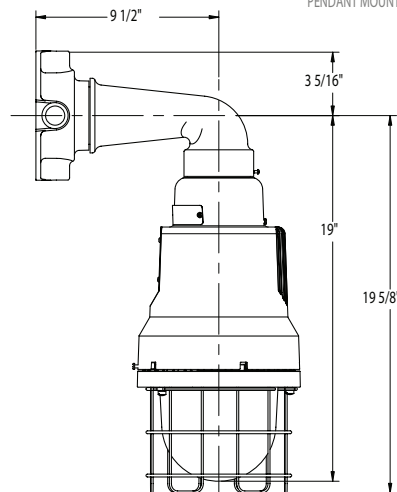
BULKHEAD MOUNT EVJ2



STANCHION MOUNT EVMJ4



PENDANT MOUNT EVMP2, EVMP3



WALL MOUNT BRACKET EV87

4L