

Hazard-Gard EVLP

low profile HID luminaires

Mogul base

Cl. I, Div. 1, Groups B (with suffix GB), C, D
 Cl. I, Zone 1, Groups IIB + H₂ (with suffix GB), IIB, IIA
 Cl. II, Div. 1, Groups E, F, G
 Cl. III

Marine & Wet Locations
 3, 3R, 4, 4X; IP66

4L

Applications:

Hazard-Gard® EVLP low profile luminaires are used in:

- Areas where flammable or explosive vapors or gases are present
- Hazardous areas, both indoors and outdoors, where long life and low maintenance costs are desired
- Petroleum refineries, chemical, petrochemical and pharmaceutical plants, oil terminals, gas plants and other heavy process industry facilities
- Waste treatment facilities
- Drilling platforms and other coastal and offshore hazardous areas

Features:

- Small, compact size is perfect where low mounting restrictions are a concern
- Two start Acme threaded construction allows for easier assembly, installation and maintenance
- Lightweight copper-free aluminum housing with powdered epoxy finish for superior corrosion resistance
- All exterior hardware is corrosion-resistant stainless steel
- Four mounting arrangements – pendant, ceiling, wall bracket and stanchion – suit any lighting layout
- Wide range of light sources and wattages to meet specific lighting needs
- Marine and NEMA 4X construction suitable for outdoor, hose down, marine and corrosive environments
- Integral ballast for lowest installed cost
- High power factor (90%+) ballasts allows more fixtures per circuit
- Uses same mounting modules as the standard Hazard-Gard for easy retrofitting when the EVLP is the preferred choice
- Internally fluted glass globe reduces glare and distributes light evenly – ideal for adverse environments typical of industrial facilities
- Krydon construction dome and angle reflectors – won't rust, corrode, dent, chip or peel
- Now available in components – luminaire body, mounting module, guard, reflectors – allowing for easy stocking for quick ship requirements



Certifications and compliances:

NEC/CEC:

- Class I, Division 1, Groups B (with suffix GB), C, D – all wattages
- Class I, Zone 1, Groups IIB + H₂ (with suffix GB), IIB, IIA – all wattages
- Class II and Class III

UL standards:

- UL844 – Hazardous (Classified) Locations
- UL1598 – Luminaires
- UL1598A – Marine Locations

CSA standard:

- C22.2 No. 137

Standard materials:

- Mounting modules, cover, ballast housing, globe holder – copper-free aluminum
- Globe – heat- and impact-resistant glass
- Exterior hardware – stainless steel
- Reflectors (dome and angle) – Krydon fiberglass-reinforced polyester
- Guard – stainless steel

Standard finishes:

- Copper-free aluminum – Corro-free epoxy powder coat
- Krydon – white

Electrical ratings:

Sources/wattage:

- Mogul base – 70-150W HPS; 70-250W MH

Voltages:

- Mogul HID
 Multi-tap (120, 208, 240, 277V, 60 Hz)
 Tri-tap (120, 277, 347V, 60 Hz)
 480V, 60 Hz
 Other voltages – consult Eaton's Crouse-Hinds Division

Conduit entries:

- 3/4", 1" NPT – pendant, wall bracket, ceiling mount
- 1 1/4" NPT – stanchion mount

Options:

Description	Suffix
• Group B suitability	GB
• Ballast-Gard (HPS only)	BG
• Instant restrike.....	IR
<i>Available with 70-150W LX HPS Cannot be used with BG option</i>	
• Fused	S658^A
<i>Not suitable for marine applications</i>	
• Quartz auxiliary lighting.....	QTZ
<i>Cannot be used with IR option Uses 100W single-ended double contract lamp Quartz lamp not included</i>	
• Factory assembled with lamps.....	FA

Accessories (ordered separately):

Description	Cat. #
• Dome reflector	RD739
• Angle reflector	RA739

Photometrics:

- Complete photometrics can be found at www.crouse-hinds.com/photometrics

^AWhen ordering fuses for luminaires, you must specify the operating voltage. S658 cannot be ordered with /MT in the catalog number.

Hazard-Gard EVLP low profile HID luminaires

Mogul base

Cl. I, Div. 1, Groups B (with suffix GB), C, D
Cl. I, Zone 1, Groups IIB + H₂ (with suffix GB), IIB, IIA
Cl. II, Div. 1, Groups E, F, G
Cl. III

Marine & Wet Locations
3, 3R, 4, 4X; IP66

4L

Ordering information:



Pendant mount

Watts	Hub size	Pendant	Wall bracket	Ceiling	Stanchion	Luminaire body less mounting module and guard
		Cat. # With guard	Cat. # With guard	Cat. # With guard	Cat. # With guard	
High pressure sodium						
70	3/4"	EVLPA042071	EVLPBX042071	EVLPCX042071		EVLPA04070
	1"	EVLPA043071	EVLPBX043071	EVLPCX043071		
100	1 1/4"				EVLPJ044071	
	3/4"	EVLPA042101	EVLPBX042101	EVLPCX042101		EVLPA04100
	1"	EVLPA043101	EVLPBX043101	EVLPCX043101		
	1 1/4"				EVLPJ044101	
150	3/4"	EVLPA042151	EVLPBX042151	EVLPCX042151		EVLPA04150
	1"	EVLPA043151	EVLPBX043151	EVLPCX043151		
	1 1/4"				EVLPJ044151	



Wall bracket mount[ⓑ]

Watts	Hub size	Pendant	Wall bracket	Ceiling	Stanchion	Luminaire body less mounting module and guard
		Cat. # With guard	Cat. # With guard	Cat. # With guard	Cat. # With guard	
Pulse start metal halide						
150	3/4"	EVLPA092151 S828	EVLPBX092151 S828	EVLPCX092151 S828		EVLPA09150 S828
	1"	EVLPA093151 S828	EVLPBX093151 S828	EVLPCX093151 S828		
175	1 1/4"				EVLPJ094151 S828	
	3/4"	EVLPA092171 S828	EVLPBX092171 S828	EVLPCX092171 S828		EVLPA09170 S828
	1"	EVLPA093171 S828	EVLPBX093171 S828	EVLPCX093171 S828		
	1 1/4"				EVLPJ094171 S828	
200	3/4"	EVLPA092201 S828	EVLPBX092201 S828	EVLPCX092201 S828		EVLPA09201 S828
	1"	EVLPA093201 S828	EVLPBX093201 S828	EVLPCX093201 S828		
	1 1/4"				EVLPJ094201 S828	
250	3/4"	EVLPA092251 S828	EVLPBX092251 S828	EVLPCX092251 S828		EVLPA09250 S828
	1"	EVLPA093251 S828	EVLPBX093251 S828	EVLPCX093251 S828		
	1 1/4"				EVLPJ094251 S828	



Ceiling mount[ⓑ]

Watts	Hub size	Pendant	Wall bracket	Ceiling	Stanchion	Luminaire body less mounting module and guard
		Cat. # With guard	Cat. # With guard	Cat. # With guard	Cat. # With guard	
Metal halide						
70	3/4"	EVLPA092071	EVLPBX092071	EVLPCX092071		EVLPA09070
	1"	EVLPA093071	EVLPBX093071	EVLPCX093071		
100	1 1/4"				EVLPJ094071	
	3/4"	EVLPA092101	EVLPBX092101	EVLPCX092101		EVLPA09100
	1"	EVLPA093101	EVLPBX093101	EVLPCX093101		
	1 1/4"				EVLPJ094101	
175	3/4"	EVLPA092171	EVLPBX092171	EVLPCX092171		EVLPA09170
	1"	EVLPA093171	EVLPBX093171	EVLPCX093171		
	1 1/4"				EVLPJ094171	
250	3/4"	EVLPA092251	EVLPBX092251	EVLPCX092251		EVLPA09250
	1"	EVLPA093251	EVLPBX093251	EVLPCX093251		
	1 1/4"				EVLPJ094251	

Complete catalog number as follows:

1. Add voltage suffix to end of catalog number.

Standard voltage ballasts – 60 Hz

NEC/UL			CEC/CSA (cUL)		
Voltage	Multi-tap	120V	480V	Tri-tap	120V
Suffix	/MT	/120	/480	/TT	/120

Optional voltage ballasts – 50 or 60 Hz

CEC/CSA (cUL) – CWI isolated ballasts [Ⓒ]				Export			
Voltage	208V CWI	240V CWI	600V CWI	220V 60 Hz	220V 50 Hz	230V 50 Hz	240V 50 Hz
Suffix	/208 CWI	/240 CWI	/600 CWI	/220	/220 50	/230 50	/240 50

2. 150W HPS luminaires only:

- 55V lamps standard – use suffix LX; for 100V lamps – use suffix CE

[ⓑ] Ceiling and wall bracket mounts have four hubs; three are plugged.

[Ⓒ] CWI isolated ballasts are only available for high pressure sodium and 175-250W metal halide (non-pulse start) luminaires.

Hazard-Gard EVLP low profile HID luminaires

Ordering by components

Cl. I, Div. 1, Groups B (with suffix GB), C, D
Cl. I, Zone 1, Groups IIB + H₂ (with suffix GB), IIB, IIA
Cl. II, Div. 1, Groups E, F, G
Cl. III

Marine & Wet Locations
3, 3R, 4, 4X; IP66

4L

EVLP luminaires are available in components.

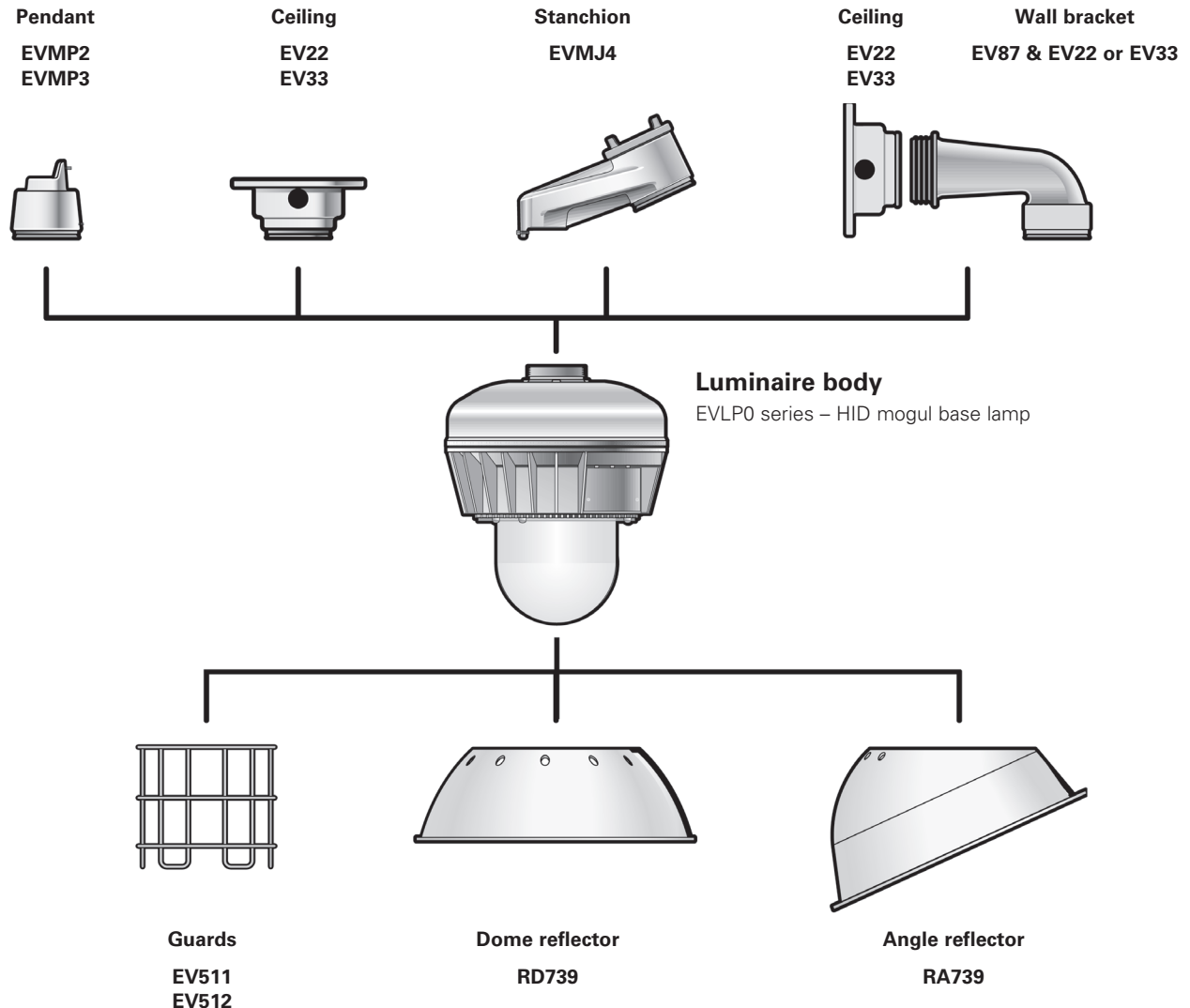
A complete luminaire consists of:

- I. Mounting module
- II. Luminaire body
- III. Guard, reflector

Mounting modules:

Type	Conduit size	Cat. #
Pendant mount	3/4"	EVMP2
	1"	EVMP3
Ceiling mount and wall box	3/4"	EV22
	1"	EV33
Wall bracket arm	Use EV22 or EV33 box with EV87	EV87
Stanchion mount	1 1/4"	EVMJ4
Guard:		
Mogul		EV512
Reflectors:		
Dome		RD739
Angle		RA739

Family tree:



Hazard-Gard EVLP low profile HID luminaires

Cl. I, Div. 1, Groups B (with
suffix GB), C, D
Cl. I, Zone 1, Groups IIB + H₂
(with suffix GB), IIB, IIA
Cl. II, Div. 1, Groups E, F, G
Cl. III

Marine & Wet Locations
3, 3R, 4, 4X; IP66

4L

Temperature performance data:

Type	Watts	Class I, Groups B (with suffix GB), C, D			Class II, Groups E, F, G; Class III; Simultaneous presence 40°C	Supply wire °C
		40°C	55°C	65°C		
High pressure sodium	70	T6	T5	T5	T5	90
	100	T5	T4A	–	T4A	90
	150	T4A	T4	–	T4	90
Metal halide (including pulse start)	70	T6	T5	T5	T5	85
	100	T5	T4A	T4A	T4A	90
	150	T4	T3C	–	T3C	90
	175	T4	T3C	–	T3C	90
	200	T3C	–	–	–	90
	250	T3C	–	–	–	90

4L

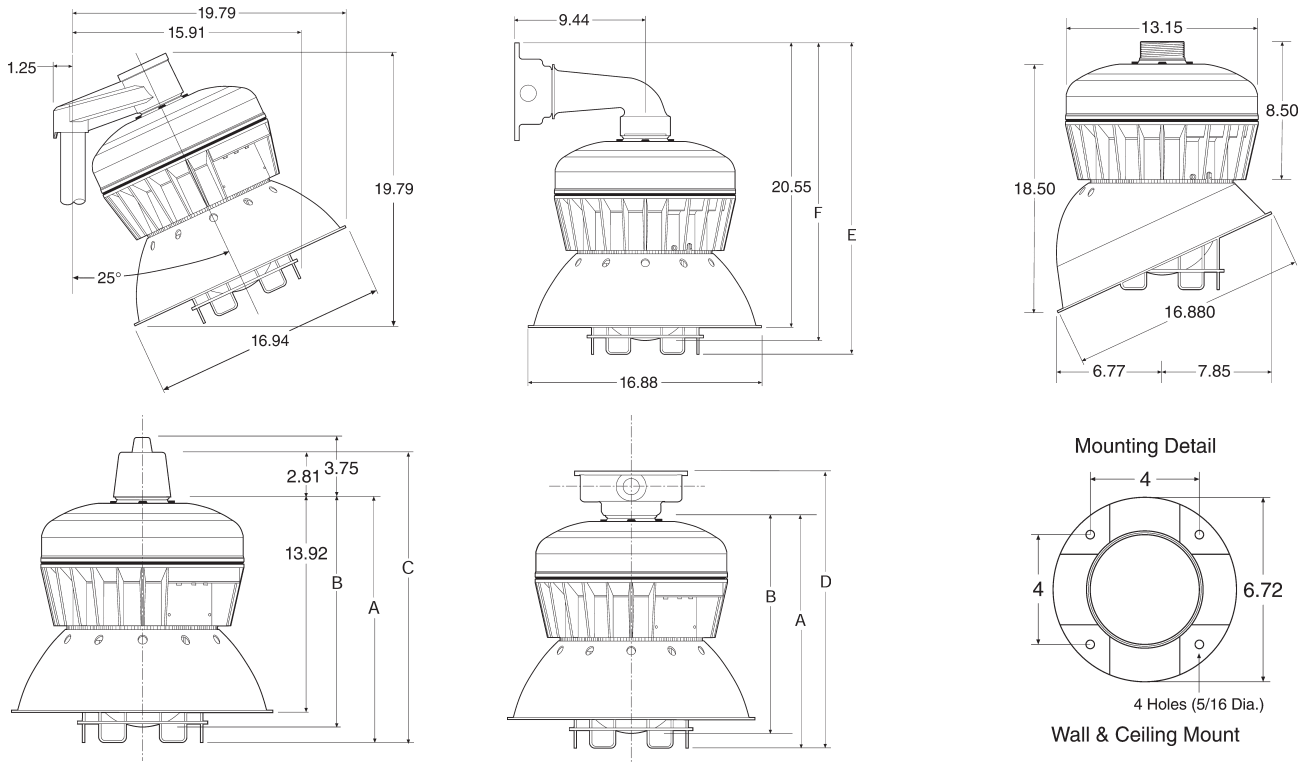
Hazard-Gard EVLP low profile HID luminaires

Cl. I, Div. 1, Groups B (with suffix GB), C, D
Cl. I, Zone 1, Groups IIB + H₂ (with suffix GB), IIB, IIA
Cl. II, Div. 1, Groups E, F, G
Cl. III

Marine & Wet Locations
3, 3R, 4, 4X; IP66

4L

Dimensions (in inches):



	A	B	C	D	E	F
Mogul base	15.69	14.69	18.25	18.46	22.34	21.30

Net luminaire weights:

Type	Lamp watts	Luminaire with guard (lbs.)
High pressure sodium	70	36.50
	100	38.50
	150	39.00
Metal halide	70	36.00
	100	37.00
	150	38.50
	175	38.50
	200	40.50
	250	40.50

Type	Weight (lbs.)
Add mounting modules:	
Pendant	1.00
Ceiling	2.00
Bracket	4.50
Stanchion	2.50
Add reflectors:	
Dome	1.00
Angle	1.00

Deduct: 0.50 lbs. for wire guard