

Applications:

- Marine and watertight requirements
- Dusttight requirements
- Wastewater treatment plants
- Pulp and paper production
- Aluminum processing facilities^A
- Salt and potash mines^A
- Corrosive environments
- Façade security lighting

Features:

- 70-175 watt HID
- Compact design for maximum mounting flexibility
- Field replaceable, thermal shock-resistant tempered glass lens
- High temperature silicone gasket provides a watertight seal
- Tool-less entry via eight positive locking stainless steel latches
- Captive lens frame with stainless steel door retainers for easy lamp replacement
- Optional safety cable attachment points
- Remote ballast available
- Tested and approved over 180° aiming range, enabling face up through face down mounting
- Wide NEMA 7x6 beam spread
- Optional vibration-resistant lamp holder
- Choice of mounting arrangements in surface, pole, right angle and crane boom (via a modified housing)

Certifications and compliances:

- UL1598 – Luminaires
- CSA C22.2 No. 250-04
- Type 4X
- Conforms to IP66
- ABS

Standard materials and finishes:

- Housing – copper-free aluminum with an electrostatically applied white polyester powder coat finish or Type 316 stainless steel (see listings)
- Lens – tempered glass
- Lens frame – Type 316 stainless steel
- Gasket – one-piece silicone
- Optional guard – Type 316 stainless steel
- Mounting brackets – Type 316 stainless steel
- Reflector – hammertone aluminum
- Lamp holder – porcelain
- Optional visor – copper-free aluminum with an electrostatically applied white polyester powder coat finish or Type 316 stainless steel (see listings)

^AApplicable for stainless steel models only.

^BNot available in the U.S.



Aluminum



Stainless steel

Technical specifications:

- Entries – one 3/4" NPT
- Wind rating – EPA: 2.24 at vertical
- Lamp type – high pressure sodium; metal halide^B; pulse start metal halide (lamps not provided)
- Lamp holder – mogul base
- Ballast – multi-tap 120/208/240/277V, 60 Hz (standard); 220V, 347V or 480V, 60 Hz, and 220V or 240V, 50 Hz (optional); remote ballast suitable for use up to 50 feet from luminaire (optional)

Mounting option:

- Trunnion mount

Photometrics:

- Complete photometrics can be found at www.crouse-hinds.com/photometrics

Pauluhn Goliath 2000 industrial floodlights

Type 4X
Conforms to IP66

6L

Options:

Description	Suffix
• Auxiliary quartz light (light continuator).....	LC
• Fused ballast.....	F
• Remote ballast.....	RB
• Instant restrike.....	IR
<i>Available on high pressure sodium models only (70-150W HPS)</i>	
• Dual safety cable attachment points.....	W
• Vibration-resistant lamp holder.....	SP
• Stainless steel guard.....	G
• Crane boom modified housing.....	CB
<i>Includes option SP</i>	
• Top visor.....	TV
• Top and side visor.....	SV
• 220V, 50 Hz.....	225
• 220V, 60 Hz.....	226
• 240V, 50 Hz.....	245
• 347V, 60 Hz.....	346
• 480V, 60 Hz.....	486

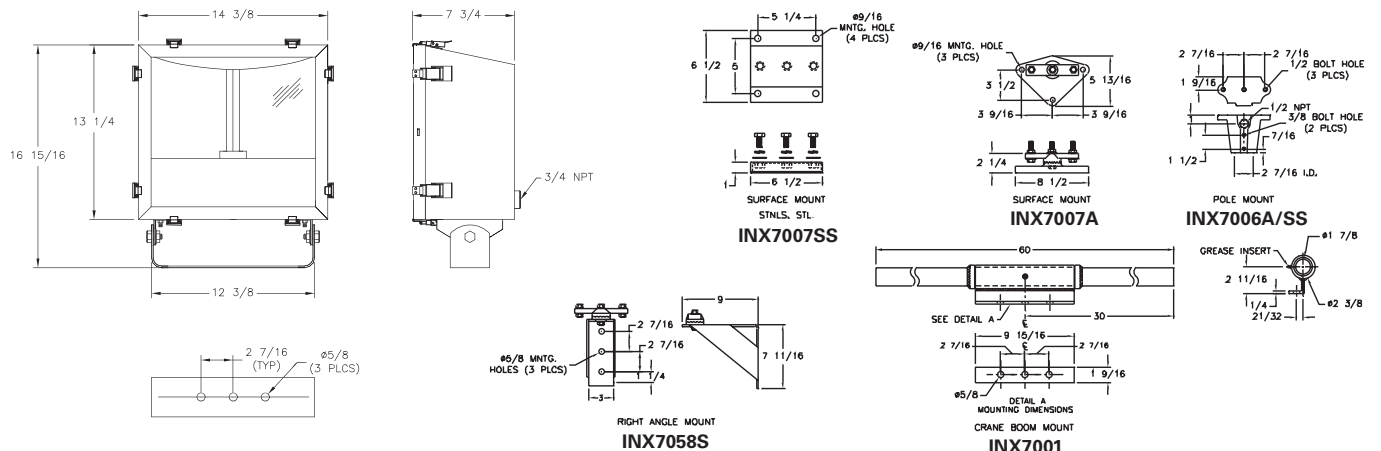
Accessories (ordered separately):

Description	Cat. #
• Replacement lamp holder.....	INX4100
• Replacement lens.....	INX2152
• Replacement gasket.....	GKT6089-49
• Stainless steel surface mount.....	INX7007SS
• Aluminum surface mount.....	INX7007A
• Aluminum pole mount.....	INX7006A
• Stainless steel pole mount.....	INX7006SS
• Stainless steel pole mount (no cable through feed).....	INX7091
• Right angled mount.....	INX7058S
• Crane boom mount.....	INX7001
<i>Requires crane boom housing</i>	
• Safety cable (48" stainless steel, snap hook).....	SC30H

Ordering information:

Cat. #	Lamp type	Watts	Material	Weight (lbs.)	ANSI lamp type	Ambient temperature °C	Supply wire °C
PHIDLA7IB	High pressure sodium	70	Aluminum	21.0	S62	40	110
PHIDLA11B	High pressure sodium	100	Aluminum	23.0	S54	40	110
PHIDLA15IB	High pressure sodium	150	Aluminum	24.0	S55	40	110
PHIDHA17IB	Metal halide	175	Aluminum	22.0	M57	40	125
PHIDPA15IB	Pulse start metal halide	150	Aluminum	24.0	M102	40	110
PHIDPA17IB	Pulse start metal halide	175	Aluminum	23.0	M152	40	125
PHIDLS7IB	High pressure sodium	70	Stainless steel	26.0	S62	40	110
PHIDLS11B	High pressure sodium	100	Stainless steel	28.0	S54	40	110
PHIDLS15IB	High pressure sodium	150	Stainless steel	29.0	S55	40	110
PHIDHS17IB	Metal halide	175	Stainless steel	28.0	M57	40	125
PHIDPS15IB	Pulse start metal halide	150	Stainless steel	29.0	M102	40	110
PHIDPS17IB	Pulse start metal halide	175	Stainless steel	28.0	M152	40	125

Dimensions (in inches):



Cannot be field installed; specify at order placement.

Not available in the U.S.

Applications:

- Marine and watertight requirements
- Dusttight requirements
- Wastewater treatment plants
- Pulp and paper production
- Aluminum processing facilities^A
- Salt and potash mines^A
- Corrosive environments
- Façade security lighting

Features:

- 250-400 watt HID
- Field replaceable, thermal shock-resistant tempered glass lens
- High temperature silicone gasket provides a watertight seal
- Tool-less entry via eight positive locking stainless steel latches
- Captive lens frame with stainless steel door retainers for easy lamp replacement
- Optional safety cable attachment points
- Remote ballast available
- Tested and approved over 180° aiming range, enabling face up through face down mounting
- Very wide NEMA 7x7 beam spread
- Optional vibration-resistant lamp holder
- Choice of mounting arrangements in surface, pole, right angle and crane boom (via a modified housing)

Certifications and compliances:

- UL1598 – Luminaires
- CSA C22.2 No. 250-04
- Type 4X
- Conforms to IP66
- ABS

Standard materials and finishes:

- Housing – copper-free aluminum with an electrostatically applied white polyester powder coat finish or Type 316 stainless steel (see listings)
- Lens – tempered glass
- Lens frame – Type 316 stainless steel
- Gasket – one-piece silicone
- Optional guard – Type 316 stainless steel
- Mounting brackets – Type 316 stainless steel
- Reflector – hammertone aluminum
- Lamp holder – porcelain
- Optional visor – copper-free aluminum with an electrostatically applied white polyester powder coat finish or Type 316 stainless steel (see listings)

^AApplicable for stainless steel models only.

^BNot available in the U.S.



Aluminum



Stainless steel

Technical specifications:

- Entries – one 3/4" NPT
- Wind rating – EPA: 3.62 at vertical
- Lamp type – high pressure sodium; metal halide^B; pulse start metal halide (lamps not provided)
- Lamp holder – mogul base
- Ballast – multi-tap 120/208/240/277V, 60 Hz (standard); 220V, 347V or 480V, 60 Hz, and 220V or 240V, 50 Hz (optional); remote ballast suitable for use up to 50 feet from luminaire (optional)

Mounting option:

- Trunnion mount

Photometrics:

- Complete photometrics can be found at www.crouse-hinds.com/photometrics

Options:

Description	Suffix
• Auxiliary quartz light (light continuator).....	LC
• Fused ballast.....	F
• Remote ballast.....	RB Ⓞ
• Dual safety cable attachment points.....	WG
• Vibration-resistant lamp holder.....	SP
• Stainless steel guard.....	G Ⓞ
• Crane boom modified housing.....	CB Ⓞ
<i>Includes option SP</i>	
• Top visor.....	TV Ⓞ
• Top and side visor.....	SV Ⓞ
• 220V, 50 Hz.....	225
• 220V, 60 Hz.....	226
• 240V, 50 Hz.....	245
• 347V, 60 Hz.....	346
• 480V, 60 Hz.....	486

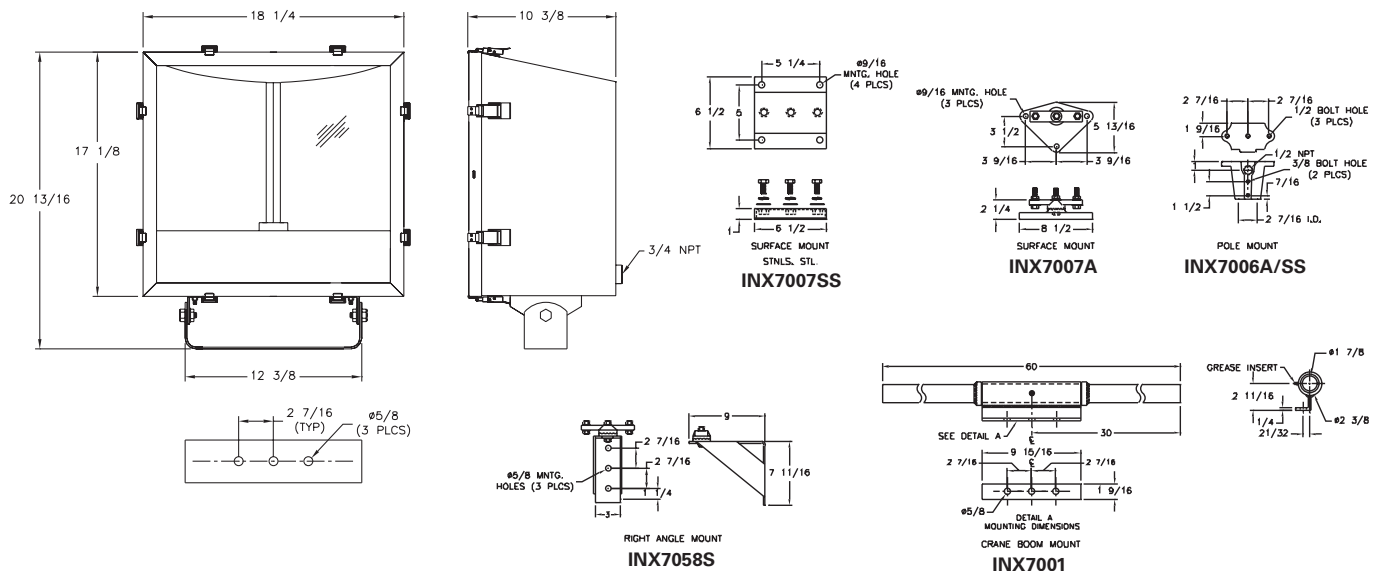
Accessories (ordered separately):

Description	Cat. #
• Replacement lamp holder (MH).....	INX4100
• Replacement lamp holder (HPS, PSMH).....	INX4004
• Replacement lens.....	INX2153
• Replacement lens frame with guard.....	INX9061
• Replacement guard.....	INX1065
• Replacement gasket.....	GKT6089-65
• Stainless steel surface mount.....	INX7007SS
• Aluminum surface mount.....	INX7007A
• Aluminum pole mount.....	INX7006A
• Stainless steel pole mount.....	INX7006SS
• Stainless steel pole mount (no cable through feed).....	INX7091
• Right angled mount.....	INX7058S
• Crane boom mount.....	INX7001
<i>Requires crane boom housing</i>	
• Safety cable (48" stainless steel, snap hook).....	SC30H

Ordering information:

Cat. #	Lamp type	Watts	Material	Weight (lbs.)	ANSI lamp type	Ambient temperature °C	Supply wire °C
PHIDLA25IB	High pressure sodium	250	Aluminum	32.0	S50	25	125
PHIDLA4IB	High pressure sodium	400	Aluminum	35.0	S51	25	125
PHIDHA25IBⓄ	Metal halide	250	Aluminum	31.0	M58	25	125
PHIDHA4IBⓄ	Metal halide	400	Aluminum	35.0	M59	25	125
PHIDPA25IB	Pulse start metal halide	250	Aluminum	32.0	M153	25	125
PHIDPA4IB	Pulse start metal halide	400	Aluminum	36.0	M155	25	125
PHIDLS25IB	High pressure sodium	250	Stainless steel	42.0	S50	25	125
PHIDLS4IB	High pressure sodium	400	Stainless steel	46.0	S51	25	125
PHIDHS25IBⓄ	Metal halide	250	Stainless steel	41.0	M58	25	125
PHIDHS4IBⓄ	Metal halide	400	Stainless steel	45.0	M59	25	125
PHIDPS25IB	Pulse start metal halide	250	Stainless steel	42.0	M153	25	125
PHIDPS4IB	Pulse start metal halide	400	Stainless steel	46.0	M155	25	125

Dimensions (in inches):



Ⓞ Cannot be field installed; specify at order placement.

Ⓞ Not available in the U.S.

Applications:

- Marine and watertight requirements
- Dusttight requirements
- Wastewater treatment plants
- Pulp and paper production
- Aluminum processing facilities^A
- Salt and potash mines^A
- Corrosive environments
- Façade security lighting

Features:

- 1000 watt HID
- Ballast gear housed in separate, attached enclosure – allows for easy access and cool running operation
- Field replaceable, thermal shock-resistant tempered glass lens
- High temperature silicone gasket provides a watertight seal
- Tool-less entry via eight positive locking stainless steel latches
- Captive lens frame with stainless steel door retainers for easy lamp replacement
- Optional safety cable attachment points
- Remote ballast available
- Tested and approved over 180° aiming range, enabling face up through face down mounting
- Very wide NEMA 7x7 beam spread
- Optional vibration-resistant lamp holder
- Choice of mounting arrangements in surface, pole and crane boom (via a modified housing)

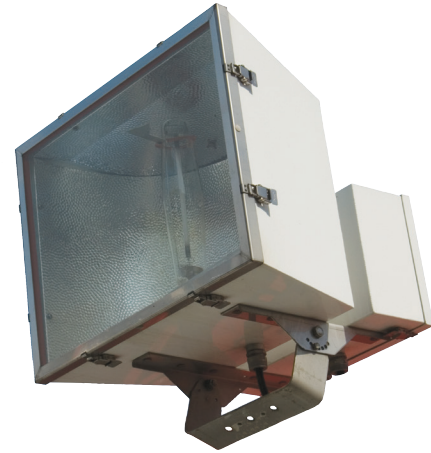
Certifications and compliances:

- UL1598 – Luminaires
- CSA C22.2 No. 250-04
- Type 4X
- Conforms to IP66
- ABS

Standard materials and finishes:

- Housing – copper-free aluminum with an electrostatically applied white polyester powder coat finish or Type 316 stainless steel (see listings)
- Lens – tempered glass
- Lens frame – Type 316 stainless steel
- Gasket – one-piece silicone
- Optional guard – Type 316 stainless steel
- Mounting brackets – Type 316 stainless steel
- Reflector – hammertone aluminum
- Lamp holder – porcelain

^AApplicable for stainless steel models only.



Aluminum



Stainless steel

Technical specifications:

- Entries – one 3/4" NPT
- Wind rating – EPA: 5.39 at vertical
- Lamp type – high pressure sodium; metal halide; pulse start metal halide (lamps not provided)
- Lamp holder – mogul base
- Ballast – multi-tap 120/208/240/277V, 60 Hz (standard); 220V, 347V or 480V, 60 Hz, and 220V or 240V, 50 Hz (optional); remote ballast suitable for use up to 50 feet from luminaire (optional)

Mounting option:

- Trunnion mount

Photometrics:

- Complete photometrics can be found at www.crouse-hinds.com/photometrics

Options:

Description	Suffix
• Auxiliary quartz light (light continuator).....	LC
• Remote ballast.....	RB[®]
• Dual safety cable attachment points.....	W[®]
• Vibration-resistant lamp holder.....	SP
• Stainless steel guard.....	G[®]
• Crane boom modified housing.....	CB[®]
<i>Includes option SP</i>	
• 220V, 50 Hz.....	225
• 220V, 60 Hz.....	226
• 240V, 50 Hz.....	245
• 347V, 60 Hz.....	346
• 480V, 60 Hz.....	486

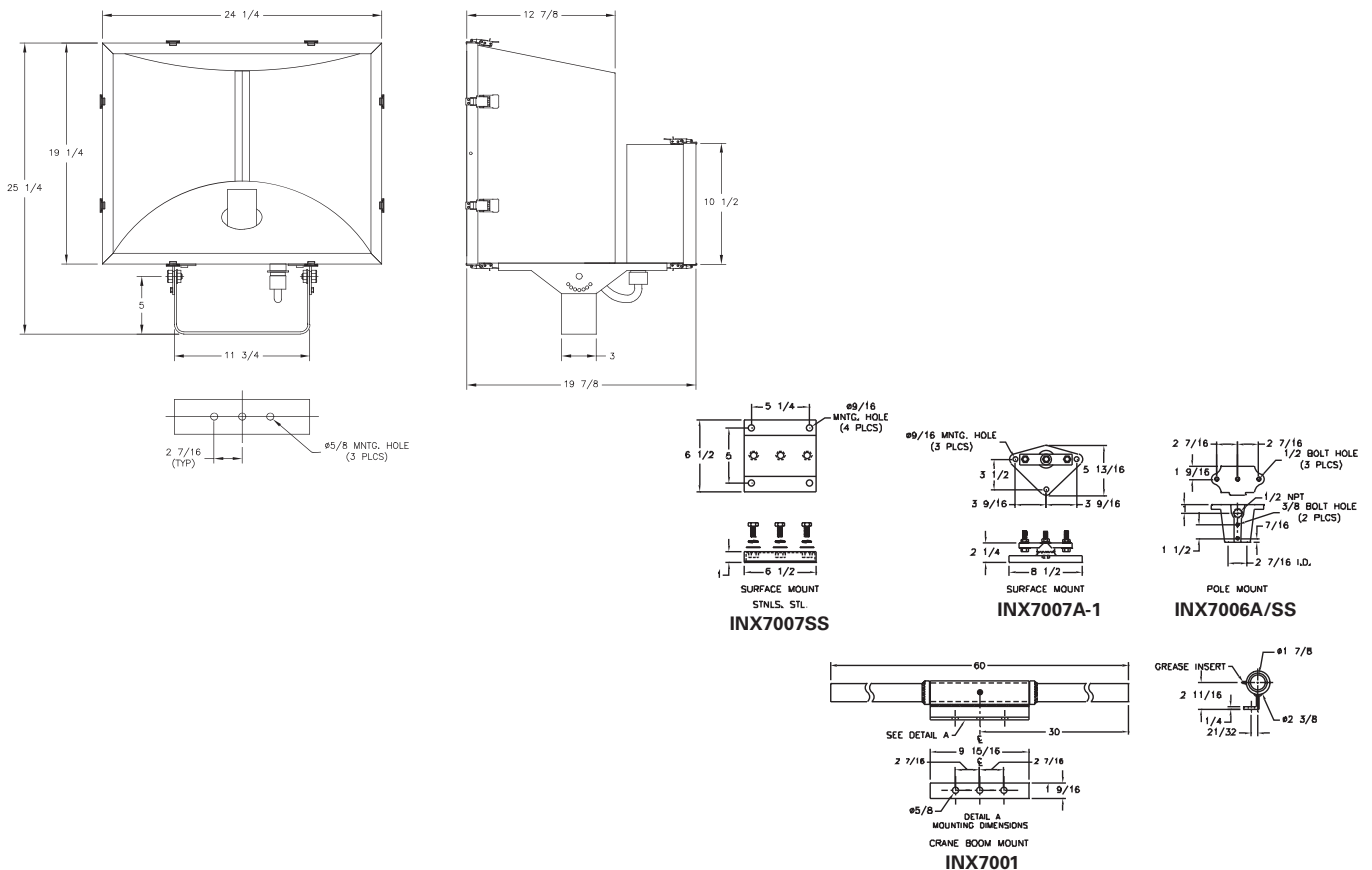
Accessories (ordered separately):

Description	Cat. #
• Replacement lamp holder.....	INX4004
• Replacement lens.....	INX2156
• Replacement lens gasket.....	GKT6089-81
• Replacement component cover gasket.....	GKT6089-49
• Stainless steel surface mount.....	INX7007SS
• Aluminum surface mount.....	INX7007A-1
• Aluminum pole mount.....	INX7006A
• Stainless steel pole mount.....	INX7006SS
• Stainless steel pole mount (no cable through feed).....	INX7091
• Crane boom mount.....	INX7001
<i>Requires crane boom housing</i>	
• Safety cable (48" stainless steel, snap hook).....	SC30H

Ordering information:

Cat. #	Lamp type	Watts	Material	Weight (lbs.)	ANSI lamp type	Ambient temperature °C	Supply wire °C
PHIDLA10IB	High pressure sodium	1000	Aluminum	69.0	S52	40	75
PHIDHA10IB	Metal halide	1000	Aluminum	59.0	M47	40	75
PHIDPA10IB	Pulse start metal halide	1000	Aluminum	59.0	M141	40	75
PHIDLS10IB	High pressure sodium	1000	Stainless steel	91.0	S52	40	75
PHIDHS10IB	Metal halide	1000	Stainless steel	80.0	M47	40	75
PHIDPS10IB	Pulse start metal halide	1000	Stainless steel	80.0	M141	40	75

Dimensions (in inches):



[®] Cannot be field installed; specify at order placement.