

Pauluhn Goliath 2100 hazardous area floodlights

Cl. I, Div. 2, Groups A, B, C, D
Cl. I, Zone 2, Groups IIA, IIB, IIB + H₂, IIC
Type 4X
Conforms to IP66

6L

Applications:

- Marine and watertight requirements
- Oil and gas exploration and production
- Petrochemical facilities
- Wastewater treatment plants
- Pulp and paper production
- Aluminum processing facilities^A
- Salt and potash mines^A
- Corrosive environments
- Façade security lighting

Features:

- 70-175 watt HID
- Compact design for maximum mounting flexibility
- Field replaceable, thermal shock-resistant tempered glass lens
- High temperature silicone gasket provides a watertight seal
- Tool-less entry via eight positive locking stainless steel latches
- Captive lens frame with stainless steel door retainers for easy lamp replacement
- Optional safety cable attachment points
- Remote ballast available
- Tested and approved over 180° aiming range, enabling face up through face down mounting
- Wide NEMA 7x6 beam spread
- Optional vibration-resistant lamp holder
- Choice of mounting arrangements in surface, pole, right angle and crane boom (via a modified housing)

Certifications and compliances:

- Class I, Division 2, Groups A, B, C, D
- Class I, Zone 2, Groups IIA, IIB, IIB + H₂, IIC
- UL844 – Hazardous Locations
- UL1598A – Luminaires for Marine Vessels
- CSA C22.2 No. 137-M1981
- Type 4X
- Conforms to IP66
- Marine Outside Type Saltwater
- ABS

Standard materials and finishes:

- Housing – copper-free aluminum with an electrostatically applied white polyester powder coat finish or Type 316 stainless steel (see listings)
- Lens – tempered glass
- Lens frame – Type 316 stainless steel
- Gasket – one-piece silicone
- Optional guard – Type 316 stainless steel
- Mounting brackets – Type 316 stainless steel
- Reflector – hammertone aluminum
- Lamp holder – porcelain
- Optional visor – copper-free aluminum with an electrostatically applied white polyester powder coat finish or Type 316 stainless steel (see listings)

^AApplicable for stainless steel models only.

^BNot available in the U.S.



Aluminum



Stainless steel

Technical specifications:

- Entries – one 3/4" NPT
- Wind rating – EPA: 2.24 at vertical
- Lamp type – high pressure sodium; metal halide^B; pulse start metal halide (lamps not provided)
- Lamp holder – mogul base
- Ballast – multi-tap 120/208/240/277V, 60 Hz (standard); 220V, 347V or 480V, 60 Hz, and 220V or 240V, 50 Hz (optional); remote ballast suitable for use up to 50 feet from luminaire (optional)

Mounting option:

- Trunnion mount

Photometrics:

- Complete photometrics can be found at www.crouse-hinds.com/photometrics

Pauluhn Goliath 2100 hazardous area floodlights

Cl. I, Div. 2, Groups A, B, C, D
Cl. I, Zone 2, Groups IIA, IIB, IIB + H₂, IIC
Type 4X
Conforms to IP66

6L

Options:

Description	Suffix
• Fused ballast..... <i>Not for marine use</i>	F
• Remote ballast.....	RB
• Instant restrike..... <i>Available on high pressure sodium models only</i>	IR
• Dual safety cable attachment points.....	W
• Vibration-resistant lamp holder.....	SP
• Stainless steel guard.....	G
• Crane boom modified housing..... <i>Includes option SP</i>	CB
• Top visor.....	TV
• Top and side visor.....	SV
• 220V, 50 Hz.....	225
• 220V, 60 Hz.....	226
• 240V, 50 Hz.....	245
• 347V, 60 Hz.....	346
• 480V, 60 Hz.....	486

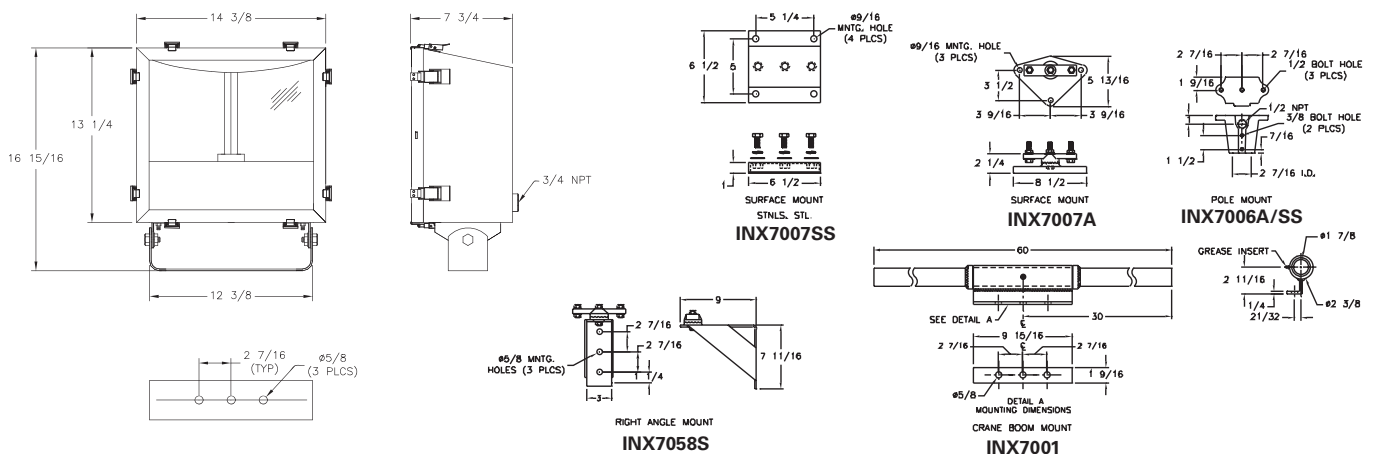
Accessories (ordered separately):

Description	Cat. #
• Replacement lamp holder.....	INX4100
• Replacement lens.....	INX2152
• Replacement gasket.....	GKT6089-49
• Stainless steel surface mount.....	INX7007SS
• Aluminum surface mount.....	INX7007A
• Aluminum pole mount.....	INX7006A
• Stainless steel pole mount.....	INX7006SS
• Stainless steel pole mount (no cable through feed).....	INX7091
• Right angled mount.....	INX7058S
• Crane boom mount.....	INX7001
<i>Requires crane boom housing</i>	
• Safety cable (48" stainless steel, snap hook).....	SC30H

Ordering information:

Cat. #	Lamp type	Watts	Material	Weight (lbs.)	ANSI lamp type	T-code	Ambient temperature °C	Supply wire °C
NHIDLA7IB	High pressure sodium	70	Aluminum	21.0	S62	T2B	40	110
NHIDLA11B	High pressure sodium	100	Aluminum	23.0	S54	T2B	40	110
NHIDLA15IB	High pressure sodium	150	Aluminum	24.0	S55	T2B	40	110
NHIDHA17IB	Metal halide	175	Aluminum	25.0	M57	T2B	40	125
NHIDPA15IB	Pulse start metal halide	150	Aluminum	24.0	M102	T2B	40	110
NHIDPA17IB	Pulse start metal halide	175	Aluminum	25.0	M152	T2B	40	125
NHIDLS7IB	High pressure sodium	70	Stainless steel	26.0	S62	T2B	25	110
NHIDLS11B	High pressure sodium	100	Stainless steel	28.0	S54	T2B	25	110
NHIDLS15IB	High pressure sodium	150	Stainless steel	29.0	S55	T2B	25	110
NHIDHS17IB	Metal halide	175	Stainless steel	28.0	M57	T2B	25	125
NHIDPS15IB	Pulse start metal halide	150	Stainless steel	29.0	M102	T2B	25	110
NHIDPS17IB	Pulse start metal halide	175	Stainless steel	28.0	M152	T2B	25	125

Dimensions (in inches):



Cannot be field installed; specify at order placement.

Not available in the U.S.

Pauluhn Goliath 2110 hazardous area floodlights

Cl. I, Div. 2, Groups A, B, C, D
Cl. I, Zone 2, Groups IIA, IIB, IIB + H₂, IIC
Type 4X
Conforms to IP66

6L

Applications:

- Marine and watertight requirements
- Oil and gas exploration and production
- Petrochemical facilities
- Wastewater treatment plants
- Pulp and paper production
- Aluminum processing facilities^A
- Salt and potash mines^A
- Corrosive environments
- Façade security lighting

Features:

- 250-400 watt HID
- Field replaceable, thermal shock-resistant tempered glass lens
- High temperature silicone gasket provides a watertight seal
- Tool-less entry via eight positive locking stainless steel latches
- Captive lens frame with stainless steel door retainers for easy lamp replacement
- Optional safety cable attachment points
- Remote ballast available
- Tested and approved over 180° aiming range, enabling face up through face down mounting
- Very wide NEMA 7x7 beam spread
- Optional vibration-resistant lamp holder
- Choice of mounting arrangements in surface, pole, right angle and crane boom (via a modified housing)

Certifications and compliances:

- Class I, Division 2, Groups A, B, C, D
- Class I, Zone 2, Groups IIA, IIB, IIB + H₂, IIC
- UL844 – Hazardous Locations
- UL1598A – Luminaires for Marine Vessels
- CSA C22.2 No. 137-M1981
- Type 4X
- Conforms to IP66
- Marine Outside Type Saltwater
- ABS

Standard materials and finishes:

- Housing – copper-free aluminum with an electrostatically applied white polyester powder coat finish or Type 316 stainless steel (see listings)
- Lens – tempered glass
- Lens frame – Type 316 stainless steel
- Gasket – one-piece silicone
- Optional guard – Type 316 stainless steel
- Mounting brackets – Type 316 stainless steel
- Reflector – hammertone aluminum
- Lamp holder – porcelain
- Optional visor – copper-free aluminum with an electrostatically applied white polyester powder coat finish or Type 316 stainless steel (see listings)

^AApplicable for stainless steel models only.

^BNot available in the U.S.



Aluminum



Stainless steel

Technical specifications:

- Entries – one 3/4" NPT
- Wind rating – EPA: 3.62 at vertical
- Lamp type – high pressure sodium; metal halide^B; pulse start metal halide (lamps not provided)
- Lamp holder – mogul base
- Ballast – multi-tap 120/208/240/277V, 60 Hz (standard); 220V, 347V or 480V, 60 Hz, and 220V or 240V, 50 Hz (optional); remote ballast suitable for use up to 50 feet from luminaire (optional)

Mounting option:

- Trunnion mount

Photometrics:

- Complete photometrics can be found at www.crouse-hinds.com/photometrics

Pauluhn Goliath 2110 hazardous area floodlights

Cl. I, Div. 2, Groups A, B, C, D
Cl. I, Zone 2, Groups IIA, IIB, IIB + H₂, IIC
Type 4X
Conforms to IP66

6L

Options:

Description	Suffix
• Fused ballast.....	F
<i>Not for marine use</i>	
• Remote ballast.....	RB Ⓞ
• Dual safety cable attachment points.....	WG Ⓞ
• Vibration-resistant lamp holder.....	SP
• Stainless steel guard.....	G Ⓞ
• Crane boom modified housing.....	CB Ⓞ
<i>Includes option SP</i>	
• Top visor.....	TV Ⓞ
• Top and side visor.....	SV Ⓞ
• 220V, 50 Hz.....	225
• 220V, 60 Hz.....	226
• 240V, 50 Hz.....	245
• 347V, 60 Hz.....	346
• 480V, 60 Hz.....	486

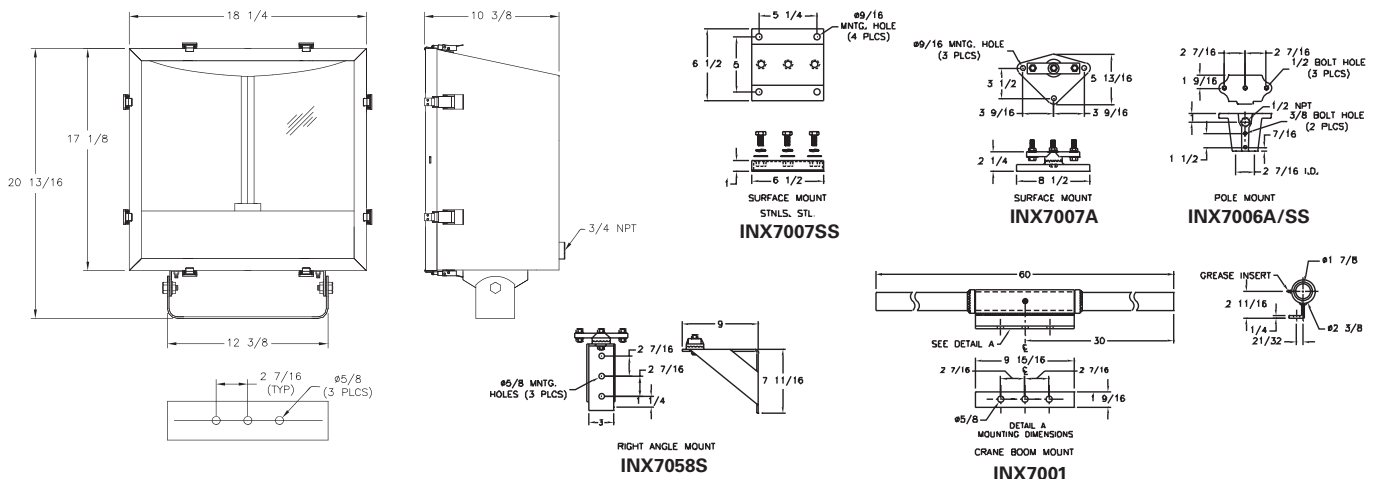
Accessories (ordered separately):

Description	Cat. #
• Replacement lamp holder (MH).....	INX4100
• Replacement lamp holder (HPS, PSMH).....	INX4004
• Replacement lens.....	INX2153
• Replacement lens frame with guard.....	INX9061
• Replacement guard.....	INX1065
• Replacement gasket.....	GKT6089-65
• Stainless steel surface mount.....	INX7007SS
• Aluminum surface mount.....	INX7007A
• Aluminum pole mount.....	INX7006A
• Stainless steel pole mount.....	INX7006SS
• Stainless steel pole mount (no cable through feed).....	INX7091
• Right angled mount.....	INX7058S
• Crane boom mount.....	INX7001
<i>Requires crane boom housing</i>	
• Safety cable (48" stainless steel, snap hook).....	SC30H

Ordering information:

Cat. #	Lamp type	Watts	Material	Weight (lbs.)	ANSI lamp type	T-code	Ambient temperature °C	Supply wire °C
NHIDLA25IB	High pressure sodium	250	Aluminum	32.0	S50	T1	25	125
NHIDLA4IB	High pressure sodium	400	Aluminum	35.0	S51	T1	25	125
NHIDHA25IB Ⓞ	Metal halide	250	Aluminum	31.0	M58	T1	25	125
NHIDHA4IB Ⓞ	Metal halide	400	Aluminum	35.0	M59	T1	25	125
NHIDPA25IB	Pulse start metal halide	250	Aluminum	32.0	M153	T1	25	125
NHIDPA4IB	Pulse start metal halide	400	Aluminum	36.0	M155	T1	25	125
NHIDLS25IB	High pressure sodium	250	Stainless steel	42.0	S50	T1	25	125
NHIDLS4IB	High pressure sodium	400	Stainless steel	46.0	S51	T1	25	125
NHIDHS25IB Ⓞ	Metal halide	250	Stainless steel	41.0	M58	T1	25	125
NHIDHS4IB Ⓞ	Metal halide	400	Stainless steel	45.0	M59	T1	25	125
NHIDPS25IB	Pulse start metal halide	250	Stainless steel	42.0	M153	T1	25	125
NHIDPS4IB	Pulse start metal halide	400	Stainless steel	46.0	M155	T1	25	125

Dimensions (in inches):



Ⓞ Cannot be field installed; specify at order placement.

Ⓞ Not available in the U.S.

Pauluhn Goliath 2120 hazardous area floodlights

Cl. I, Div. 2, Groups A, B, C, D
Cl. I, Zone 2, Groups IIA, IIB, IIB + H₂, IIC
Type 4X
Conforms to IP66

6L

Applications:

- Marine and watertight requirements
- Oil and gas exploration and production
- Petrochemical facilities
- Wastewater treatment plants
- Pulp and paper production
- Aluminum processing facilities^A
- Salt and potash mines^A
- Corrosive environments
- Façade security lighting

Features:

- 1000 watt HID
- Ballast gear housed in separate, attached enclosure – allows for easy access and cool running operation
- Field replaceable, thermal shock-resistant tempered glass lens
- High temperature silicone gasket provides a watertight seal
- Tool-less entry via eight positive locking stainless steel latches
- Captive lens frame with stainless steel door retainers for easy lamp replacement
- Optional safety cable attachment points
- Remote ballast available
- Tested and approved over 180° aiming range, enabling face up through face down mounting
- Very wide NEMA 7x7 beam spread
- Optional vibration-resistant lamp holder
- Choice of mounting arrangements in surface, pole and crane boom (via a modified housing)

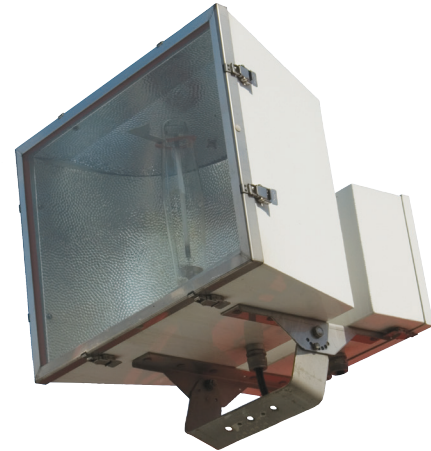
Certifications and compliances:

- Class I, Division 2, Groups A, B, C, D
- Class I, Zone 2, Groups IIA, IIB, IIB + H₂, IIC
- UL844 – Hazardous Locations
- UL1598A – Luminaires for Marine Vessels
- CSA Class 3428 83
- CSA Class 3428 03
- CSA C22.2 No. 30-M1986
- CSA C22.2 No. 213-M1987
- Type 4X
- Conforms to IP66
- Marine Outside Type Saltwater
- ABS

Standard materials and finishes:

- Housing – copper-free aluminum with an electrostatically applied white polyester powder coat finish or Type 316 stainless steel (see listings)
- Lens – tempered glass
- Lens frame – Type 316 stainless steel
- Gasket – one-piece silicone
- Optional guard – Type 316 stainless steel
- Mounting brackets – Type 316 stainless steel
- Reflector – hammertone aluminum
- Lamp holder – porcelain

^AApplicable for stainless steel models only.



Aluminum



Stainless steel

Technical specifications:

- Entries – one 3/4" NPT
- Wind rating – EPA: 5.39 at vertical
- Lamp type – high pressure sodium; metal halide (lamps not provided)
- Lamp holder – mogul base
- Ballast – multi-tap 120/208/240/277V, 60 Hz (standard); 220V, 347V or 480V, 60 Hz, and 220V or 240V, 50 Hz (optional); remote ballast suitable for use up to 50 feet from luminaire (optional)

Mounting option:

- Trunnion mount

Photometrics:

- Complete photometrics can be found at www.crouse-hinds.com/photometrics

Pauluhn Goliath 2120 hazardous area floodlights

Cl. I, Div. 2, Groups A, B, C, D
Cl. I, Zone 2, Groups IIA, IIB, IIB + H₂, IIC
Type 4X
Conforms to IP66

6L

Options:

Description	Suffix
• Remote ballast.....	RB[Ⓟ]
• Dual safety cable attachment points.....	W[Ⓟ]
• Vibration-resistant lamp holder.....	SP
• Stainless steel guard.....	G[Ⓟ]
• Crane boom modified housing.....	CB[Ⓟ]
<i>Includes option SP</i>	
• 220V, 50 Hz.....	225
• 220V, 60 Hz.....	226
• 240V, 50 Hz.....	245
• 347V, 60 Hz.....	346
• 480V, 60 Hz.....	486

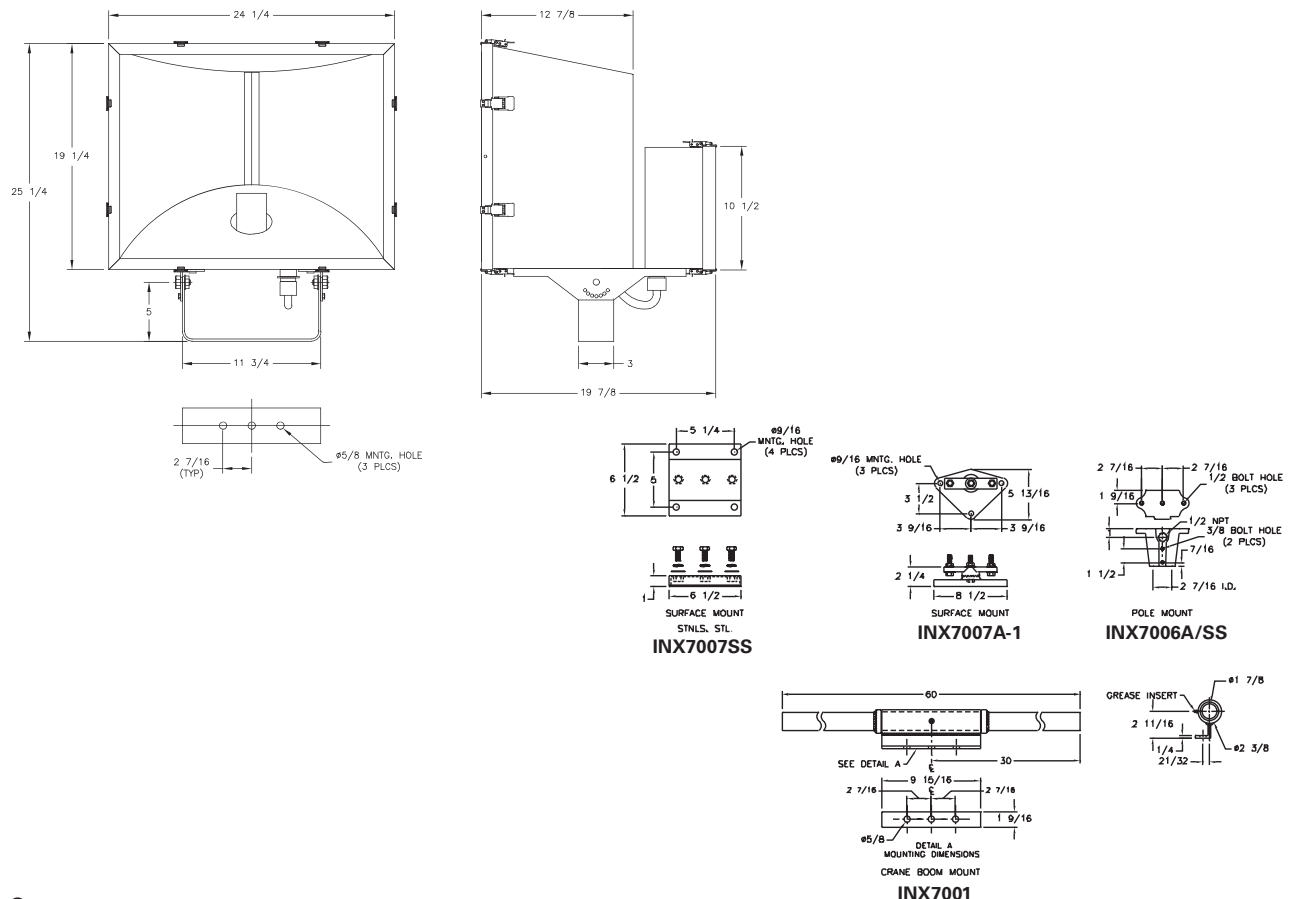
Accessories (ordered separately):

Description	Cat. #
• Replacement lamp holder.....	INX4004
• Replacement lens.....	INX2156
• Replacement lens gasket.....	GKT6089-81
• Replacement component cover gasket.....	GKT6089-49
• Stainless steel surface mount.....	INX7007SS
• Aluminum surface mount.....	INX7007A-1
• Aluminum pole mount.....	INX7006A
• Stainless steel pole mount.....	INX7006SS
• Stainless steel pole mount (no cable through feed).....	INX7091
• Crane boom mount.....	INX7001
<i>Requires crane boom housing</i>	
• Safety cable (48" stainless steel, snap hook).....	SC30H

Ordering information:

Cat. #	Lamp type	Watts	Material	Weight (lbs.)	ANSI lamp type	T-code	Ambient temperature °C	Supply wire °C
NHIDLA10IB	High pressure sodium	1000	Aluminum	82.0	S52	T1	40	75
NHIDHA10IB	Metal halide	1000	Aluminum	74.0	M47	T1	40	75
NHIDLS10IB	High pressure sodium	1000	Stainless steel	91.0	S52	T1	40	75
NHIDHS10IB	Metal halide	1000	Stainless steel	80.0	M47	T1	40	75

Dimensions (in inches):



Ⓟ Cannot be field installed; specify at order placement.