

Champ FMVA high lumen LED floodlights

Cl. I, Div. 2, Groups A, B, C, D
Cl. I, Zone 2
Cl. II, Div. 1, Groups E, F, G
IEC/ATEX

UL Listed
CSA Certified
Type 4X; IP66

6L

The Champ FMVA LED family

39% lighter than the previous design with a small footprint

Champ® FMVA high lumen LED floodlights are designed to provide full-spectrum, crisp, white light. Four versions of the FMVA are available, providing ideal solutions for a wide range of applications.

Model	Nominal lumens	Watts ^A	Equivalent MH luminaire	Typical energy savings / lifetime
FMVA20L	20,500	175	600W-750W	Up to 78% reduction in energy costs and 120,000 hours of continuous operation
FMVA25L	25,500	216	750W-1000W	
FMVA40L	40,500	340	1500W+	
FMVA50L	50,500	411		

Applications:

- Locations requiring continuous and consistent light levels in extreme ambient temperatures
- Areas requiring frequent on-and-off of lights
- Where extremely corrosive, wet, dusty, hot and/or cold conditions exist
- Oil and gas refineries, drilling rigs, petrochemical facilities, food and beverage facilities, platforms, loading docks, tunnels, outdoor wall and stanchion mounted general area lighting, and where flammable vapors, gases, ignitable dusts, fibers or flyings are present

Features:

- Rugged design – engineered to perform in ambient temperatures from -40°C to 55°C
- High efficiency – engineered to deliver 117 lumens per watt
- Full frame yoke – designed to utilize the SFA6 slipfitter and SWB6 wall mount bracket, making it ideal for retrofit or new installations^B
- Custom optics – standard 7x6 pattern provides maximum light distribution
- 5 year fixture warranty

Standard materials:

- Lamp housing and adapter – die cast aluminum with Corro-free epoxy powder coat
- Lens – heat- and impact-resistant glass (standard)
- Gaskets – silicone and neoprene
- External hardware – stainless steel

Fixture life:

- Rated life of 60,000 hours at 55°C operating ambient and 24/7 continuous operation for 365 days

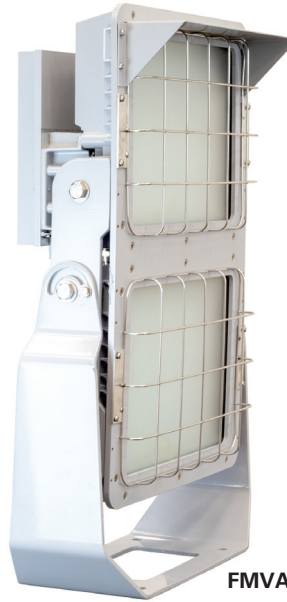
Photometrics:

- Complete photometrics can be found at www.crouse-hinds.com/photometrics

^A UNV1 at 120 VAC.

^B SFA6 slipfitter and SWB6 wall mount bracket sold separately (20L/25L models only).

^C Refer to www.designlights.org Qualified Products List under Family Models for full listing details. Not all models are approved for all application categories.



FMVA40L/FMVA50L



FMVA20L/FMVA25L

Certifications and compliances:

- DesignLights Consortium® Qualified (pending)^C

NEC model:

NEC/CEC:

- Class I, Division 2, Groups A, B, C, D
- Class I, Zone 2
- Class II, Division 1, Groups E, F, G
- Type 4X, IP66

UL standards:

- UL844; UL1598; UL1598A; UL1850

CSA standard:

- CSA C22.2 No. 137

Certifications and compliances (continued):

IEC/ATEX model:

IEC:

- IEC 60079-0:2011+ Corr.1(2012-01) + Corr. 2 (2013-12) + I-SH 01 (2013-11) + I-SH 02 (2014-10) / EN 60079-0:2012 + A11:2013
- IEC 60079-7:2017/ EN 60079-7:2015
- IEC 60079-31:2013/ EN 60079-31:2014
- IEC 60598-1:2008/EN60598-1:2008
- IEC 60598-2:2008/EN60598-2:2008
- IP66

IECEX/ATEX:

- IECEX UL 15.0029X
- DEMKO 15 ATEX 1377X
- DEMKO 15 ATEX1383
- Ex ec IIC T4 Gc Tamb -40°C to +40°C
- Ex ec IIC T4 Gc Tamb -40°C to +55°C
- Ex tb IIIC T81C Db Tamb -40°C to +40°C
- Ex tb IIIC T65°C Db Tamb -40°C to +40°C
- Ex tb IIIC T65°C Db Tamb -40°C to +55°C
- Ex II 3 G Ex ec IIC T4 Gc -40°C to +55°C
- Ex II 2 D Ex tb IIIC T81C Db IP66 -40°C to +40°C

Champ FMVA high lumen LED floodlights

Cl. I, Div. 2, Groups A, B, C, D
Cl. I, Zone 2
Cl. II, Div. 1, Groups E, F, G
IEC/ATEX

UL Listed
CSA Certified
Type 4X; IP66

6L



Smaller and lighter

- 25% smaller footprint than previous model
- 20 lbs. less weight than previous model



Versatile design

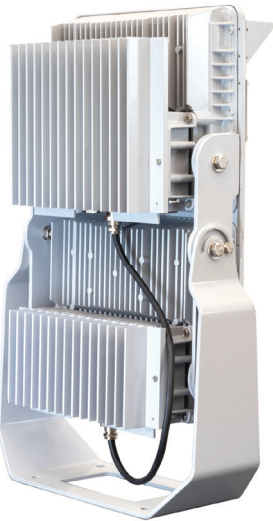
- Can be used for outdoor or indoor applications, and for a wide range of mounting heights depending on model and light level requirement

High lumen output

- Up to 120 lumens per watt
- Up to 78% energy savings over traditional HID fixtures (compared to 400W MH)

Multiple lens options

- Tempered clear glass lens standard
- Diffused glass lens optional



Full frame yoke

- Designed to utilize the SFA6 slipfitter and SWB6 wall mount bracket, making it ideal for retrofit or new installation (for 20L and 25L models)

Rugged heat sink

- Heat sink designed to perform and provide maximum light levels in high ambient temperatures up to +55°C and as low as -40°C
- Thick walled castings make for a tough, rugged housing that keeps the internal driver and LED temperature down



6L

Champ FMVA high lumen LED floodlights

Cl. I, Div. 2, Groups A, B, C, D
 Cl. I, Zone 2
 Cl. II, Div. 1, Groups E, F, G
 IEC/ATEX

UL Listed
 CSA Certified
 Type 4X; IP66

6L

Electrical ratings – NEC model:

Model	120-277 VAC at 50/60 Hz		347-480 VAC at 50/60 Hz	
	Input power	Input amps	Input power	Input amps
FMVA20L	160-158W	1.35-0.64A	163-162W	0.48-0.36A
FMVA25L	200-197W	1.67-0.75A	201-200W	0.59-0.44A
FMVA40L	330-323W	2.74-1.26A	326-322W	0.99-0.72A
FMVA50L	403-393W	3.37-1.50A	393-392W	1.15-0.86A

All models (UNV1 only)		All models	
Voltage range, VDC	127-300V at 50/60 Hz	Power factor	>0.90

Electrical ratings – IEC/ATEX model:

Model	120-277 VAC at 50/60 Hz		347-440 VAC at 50/60 Hz	
	Input power	Input amps	Input power	Input amps
nFMVA20L	160-158W	1.35-0.64A	163-162W	0.48-0.36A
nFMVA25L	200-197W	1.67-0.75A	201-200W	0.59-0.44A
nFMVA40L	330-323W	2.74-1.26A	326-322W	0.99-0.72A
nFMVA50L	403-393W	3.37-1.50A	393-392W	1.15-0.86A

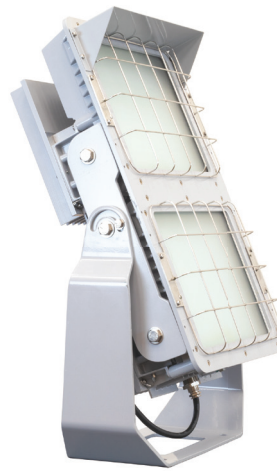
All models (UNV1 only)		All models	
Voltage range, VDC	127-300V at 50/60 Hz	Power factor	>0.90

Temperature performance data – NEC model:

Model	Ambient temp. °C	Class I, Division 2	Class II, Division 1	Min. supply wire temp. °C
FMVA20L	+40	T4A	T3C	105
FMVA25L	+55	T4A	T3C	105
FMVA40L	+40	T4A	T4A	105
FMVA50L	+55	T4A	T4A	105

Temperature performance data – IEC/ATEX model:

Model	Ambient temp. °C	IEC Zone 2	IEC Zone 22	Min. supply wire temp. °C
nFMVA20L	+40	T4	T4	105
nFMVA25L	+55	T4	T4	105
nFMVA40L	+40	T81°C	T81°C	105
nFMVA50L	+55	T94°C	T94°C	105



6L

Champ FMVA high lumen LED floodlights

Cl. I, Div. 2, Groups A, B, C, D
Cl. I, Zone 2
Cl. II, Div. 1, Groups E, F, G
IEC/ATEX

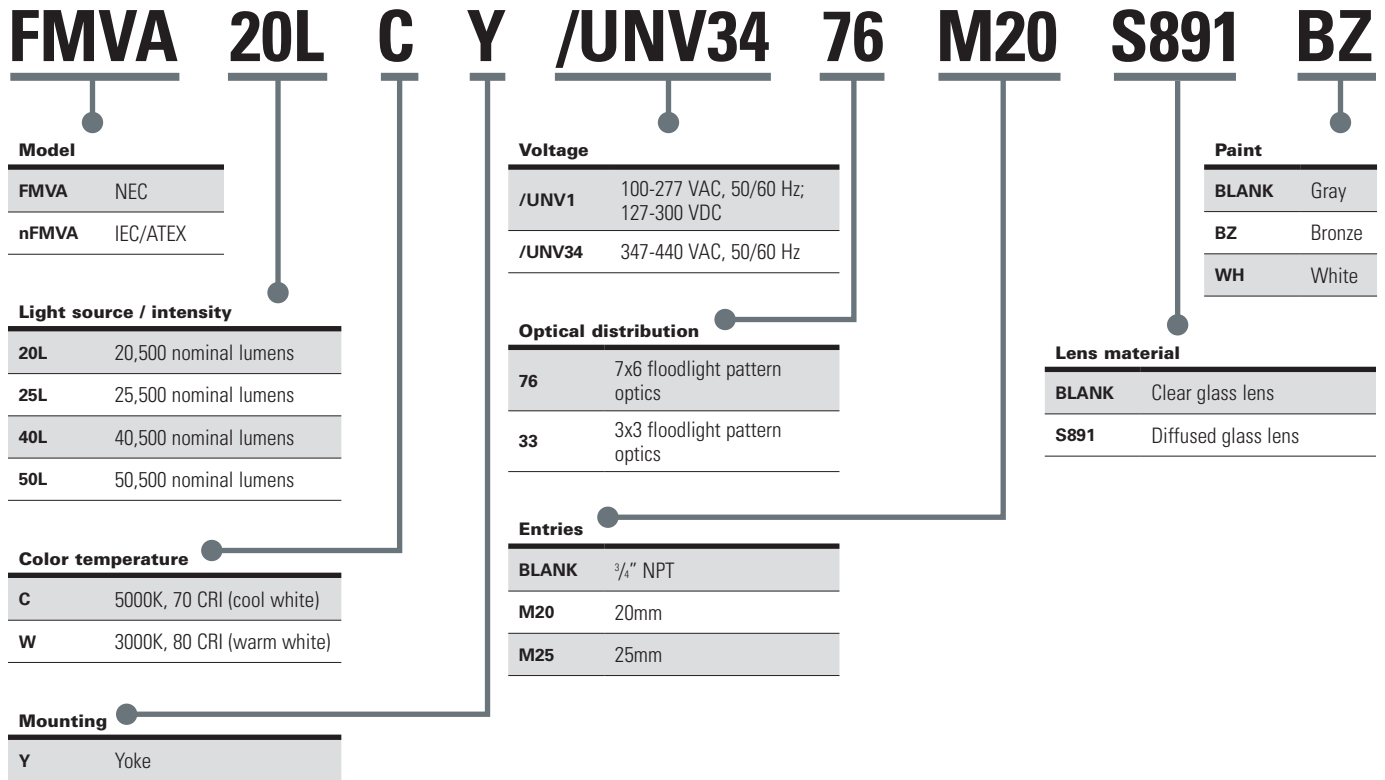
UL Listed
CSA Certified
Type 4X; IP66

6L

Ordering information:

Part number example

FMVA20LCY/UNV34 76 M20 S891 BZ



Accessories (ordered separately):

Description	Cat. #	Description	Cat. #
• Bull horn, 2 tenon, gray	BLHN2	• Bolt-on visor.....	DSV2
• Bull horn, 2 tenon, bronze	BLHN-BZ2	• Bolt-on wire guard	P62
• Bull horn, 2 tenon, white	BLHN-WH2	• Safety cable	SC831
• Bull horn, 3 tenon, gray	BLHN3	• Slipfitter	SFA6Ⓞ
• Bull horn, 3 tenon, bronze	BLHN-BZ3	• Slipfitter wall mount adapter	SWB6Ⓞ
• Bull horn, 3 tenon, white	BLHN-WH3		

Ⓞ20L and 25L models only.

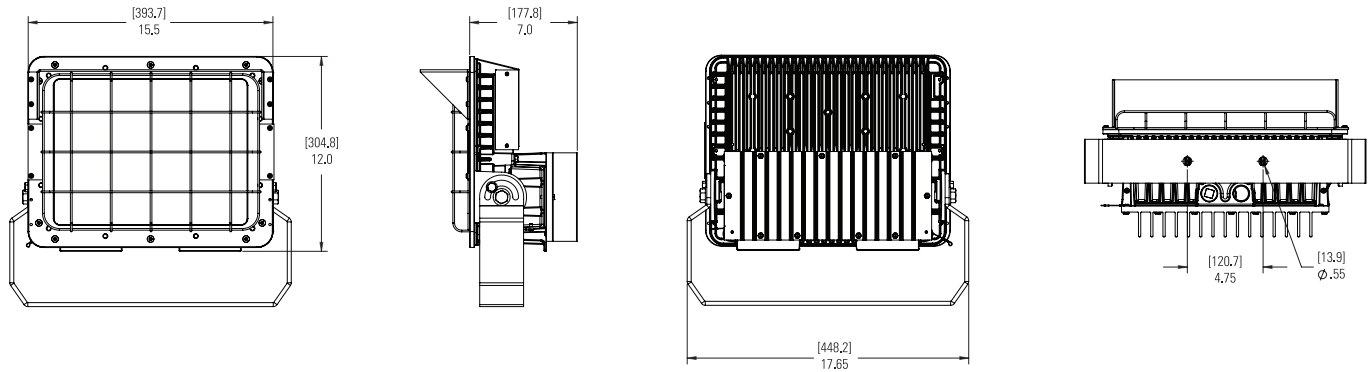
Champ FMVA high lumen LED floodlights

Cl. I, Div. 2, Groups A, B, C, D
 Cl. I, Zone 2
 Cl. II, Div. 1, Groups E, F, G
 IEC/ATEX

UL Listed
 CSA Certified
 Type 4X; IP66

6L

Dimensions and weights – FMVA20L/FMVA25L:



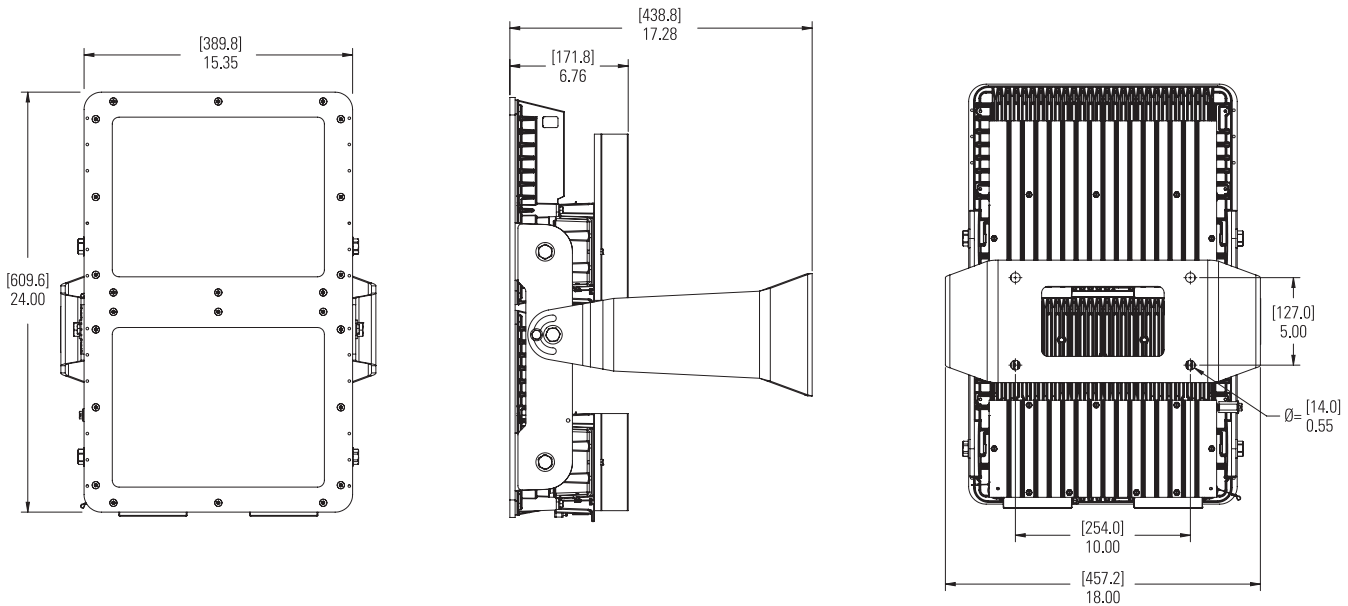
Model	Width		Height		Depth		Weight	
	in.	mm.	in.	mm.	in.	mm.	lb.	kg.
FMVA20L & 25L	15.50	393.70	12.00	304.80	7.00	177.80	34.00	15.40

Effective projected area

Position (tilt)	ft.-sq.
at 0°	1.50
at 45° backwards	1.10
at 60° forward	0.80

Dimensions – FMVA40L/FMVA50L:

6L



Model	Width		Height		Depth		Weight	
	in.	mm.	in.	mm.	in.	mm.	lb.	kg.
FMVA40L & 50L	18.00	457.20	24.00	609.60	17.28	438.80	77.00	34.90

Effective projected area

Position (tilt)	ft.-sq.
at 0°	3.20
at 45° backwards	3.25
at 60° forward	3.62