

EVTL explosionproof task light

Cl. I, Groups B, C, D
Cl. I, Zone 1, Group IIB + H₂
Cl. II, Groups E, F, G
Cl. III & Simultaneous Presence

Marine & Wet Locations
NEMA 3, 3R, 4, 4X

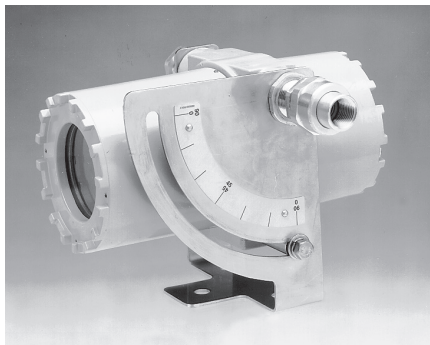
Applications:

EVTL task light luminaires are used:

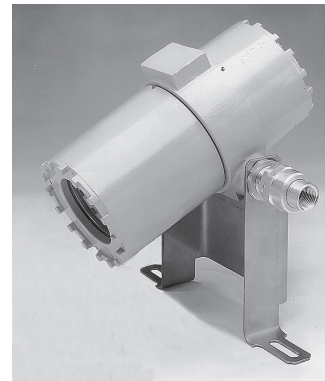
- For various task lighting requirements in locations that are hazardous (classified) due to the presence of flammable gases or vapors, combustible dusts or easily ignitable fibers and flyings
- In marine applications where water spray and corrosive atmospheres are considerations
- In areas where conventional lighting is not acceptable due to size and/or location
- In locations where an adequate light source is necessary for tank, instrument and gauge applications
- In port hole or sight glass applications where a spotlight is required for visibility inside tanks, vats and process vessels
- In manufacturing plants, refineries, pharmaceutical, chemical, petrochemical and other industrial process facilities, waste or sewage treatment facilities, grain processing and handling facilities and other heavy industrial applications

Features:

- Class I, II, III, simultaneous presence – suitable for most hazardous (classified) areas
- Class I, Group B standard – suitable for areas containing hydrogen
- Wet and marine (NEMA 4X) suitability – perfect for hose down applications
- 55° ambient suitability addresses higher ambients typical of industrial plants
- Cast copper-free aluminum housing with Corro-free epoxy powder coat finish for superior corrosion resistance
- Stainless steel mounting brackets and hardware for superior corrosion resistance
- Two mounting styles (bracket and leg) to maximize mounting flexibility
- Bracket (universal) for ceiling, wall or base mounting
- Leg (site glass) for site glass mounting
- Uses standard 50 watt PAR20 medium base 120V lamps – improved light output, economical, long life (2,000-2,500 hour light source)
- Uses 50PAR20 130V lamps for added lamp life – increase lamp life to 5,000+ hours while maintaining 76% lumen output
- 50PAR20 lamps available in both flood and spotlight patterns – vary the illumination characteristics by simply changing lamps
- Easy access interior reduces maintenance and lamp replacement time
- Seal within 5 ft. (not 18”) of luminaire provides greater flexibility in seal location



EVTL1B50



EVTL1L50

Certifications and compliances:

NEC/CEC:

- Class I, Divisions 1 & 2, Groups B, C, D
- Class I, Zones 1 & 2, Group IIB + H₂
- Class II, Group E, F, G
- Class III
- Marine and wet locations
- NEMA 4X

NEC:

- Simultaneous Presence

UL standards:

- UL844 – Hazardous (Divisions Classified) Locations
- UL1571 – Ordinary and Wet Locations, Marine Outside Type

CSA standard:

- C22.2 No. 137

Standard materials:

- Housing – copper-free aluminum
- 3/4" NPT hub and plug – aluminum
- Mounting bracket(s) and external hardware – stainless steel
- Gasket – silicone rubber
- Lens – heat- and impact-resistant clear glass

Ordering information:

Cat. #	Conduit entry	Mounting style	Watts
EVTL1B50	1/2"	Bracket (universal)	50
EVTL1L50	1/2"	Leg (site glass)	50

Temperature performance data:

Cat. #	Maximum ambient °C	Class I, Div. 1, Groups B, C, D; Class II, Div. 1, Groups E, F, G; Class III; Simultaneous Presence; Class I, Zone 1, Group IIB + H ₂	Supply wire °C
EVTL1B50	40	T3B	85
EVTL1L50	40	T3B	85

Install luminaire within aiming ranges shown on nameplate (see Dimensions).

Standard finishes:

- Aluminum housing (exterior) – Corro-free epoxy powder coat
- Stainless steel – natural

Electrical ratings:

Source/wattage (medium base lamps):

- 50PAR20 type – 50W, 120V halogen parabolic reflector; lamp life: 2,000-2,500 hours
- 130V lamps available to extend lamp life to 5,000+ hours

Voltage:

- 120V, 60 Hz

Hub size:

- One 1/2" NPT

Accessories (ordered separately):

Description	Cat. #
• Through feed hubs	EVTL-TF1

Photometrics:

- Complete photometrics can be found at www.crouse-hinds.com/photometrics

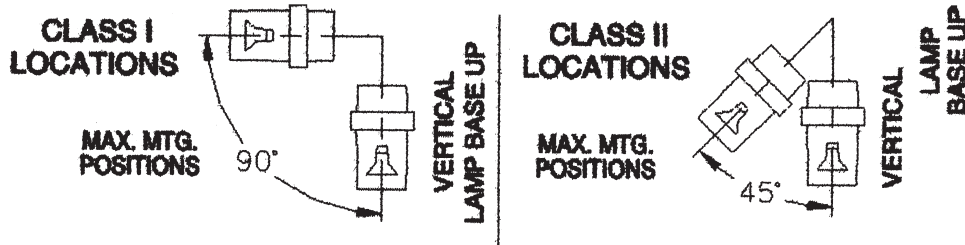
EVTL explosionproof task light

Cl. I, Groups B, C, D
 Cl. I, Zone 1, Group IIB + H₂
 Cl. II, Groups E, F, G
 Cl. III & Simultaneous Presence

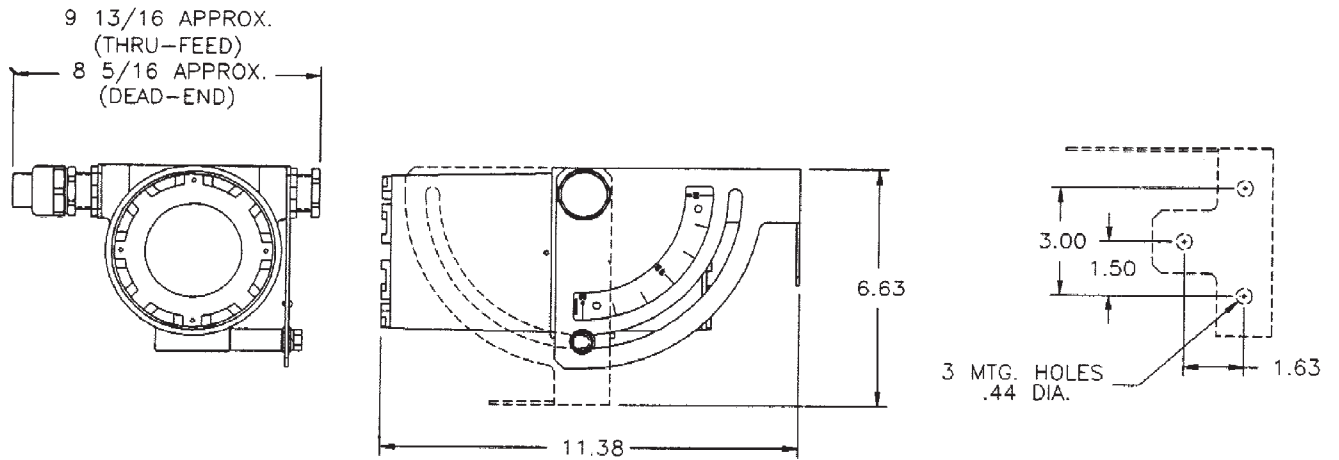
Marine & Wet Locations
 NEMA 3, 3R, 4, 4X

1L

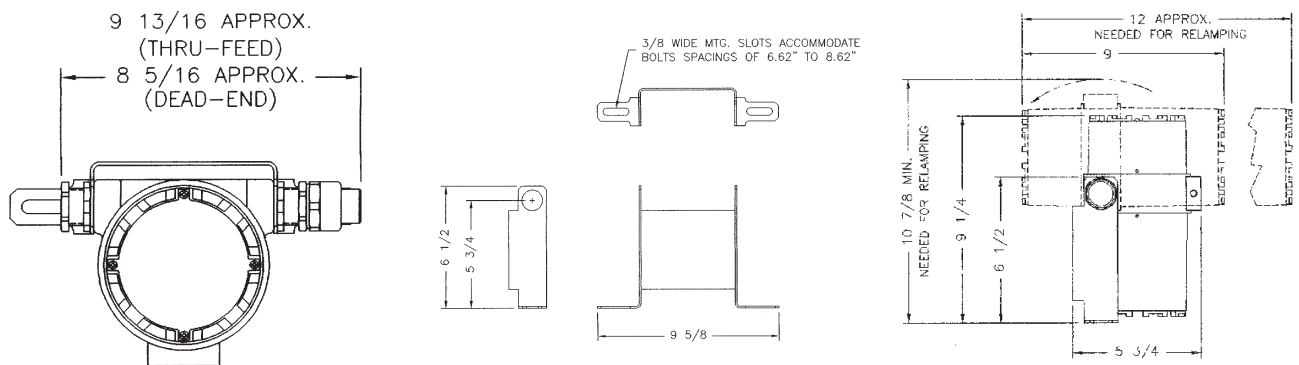
Aiming range:



Dimensions – bracket mount:



Dimensions – leg mount:



Net luminaire weights:

Cat. #	Weight (lbs.)
EVTL1B50	7.00
EVTL1L50	7.00
EVTL-TF1	0.50