

EVI explosionproof incandescent luminaires

100-500W medium & mogul base

Cl. I, Div. 1, Groups C, D
Cl. I, Zones 1 & 2, Group IIB
Cl. II, Groups E, F, G (max. 150W – med. base)

Cl. III & Simultaneous Presence (max. 150W – med. base)
Marine & Wet Locations
Type 4X, IP66

1L

Applications:

EVI incandescent luminaires are used:

- For Type 4X, marine, wet location and hose down environments
- Where a consistent light level relatively unaffected by extremes in ambient temperature (-40°C to +65°C) is required
- In areas that require lamps to reach full illumination immediately
- In areas that require lamps to be frequently turned on and off
- Indoors and outdoors in locations which are hazardous due to the presence of flammable vapors or gases, ignitable dusts or ignitable fibers and flyings
- Where a luminaire is required for tough environmental conditions involving corrosives, water, dust and extreme temperatures
- Manufacturing plants, heavy industrial facilities, industrial process facilities such as refineries, chemical, petrochemical, pharmaceutical and platforms
- For lighting of loading docks, tunnels, stairways, storage closets and task lighting

Features:

- Ambient suitability to 65°C
- Standard 90°C rated building wire for 150W max. 40°C ambient application – represents more than 75% of all applications
- Type 4X, marine outdoor locations
- Factory sealed – no external seals required
- Quick connect – fixture threads onto the mounting module for easy installation
- One size luminaire for all medium base incandescent lamps through 300W
- One size luminaire for all mogul base incandescent lamps through 500W
- Small, compact size – ceiling mount is 13¾" long
- Shock absorbing receptacle
- Easy to assemble and relamp
- Silicone gaskets seal out dirt and moisture
- Epoxy powder coat for corrosion resistance
- Same mounting modules as used with EVM and EVLP luminaires

Certifications and compliances:

NEC/CEC:

- Class I, Division 1, Groups C, D
- Class I, Zone 1, Group IIB
- Class II, Groups E, F, G
- Marine locations, wet locations, enclosure Type 4X, IP66

NEC:

- Class III, Simultaneous Presence

UL standards:

- UL844 – Electric Fixture Hangers for Hazardous Locations
- UL1598 – Luminaires
- UL1598A – Luminaires for Installation on Marine Vessels

CSA standard:

- cUL Listed (certified by UL to CSA Standards) C22.2 No. 137

Standard materials:

- Body, mounting modules and guard – copper-free aluminum
- Globe – heat- and impact-resistant glass
- Gaskets – silicone
- External hardware – stainless steel
- Reflectors – Krydon® fiberglass-reinforced polyester

Standard finishes:

- Copper-free aluminum – Corro-free™ epoxy powder coat
- Stainless steel – natural
- Krydon – high reflectance white

Electrical ratings:

Sources/wattages

- Medium base – maximum 300W (PS25)
- Mogul base – maximum 500W (PS40)

Voltages

- Medium base – 120V (250V with suffix /250)
- Mogul base – 277V

Hub sizes

- ¾" or 1" NPT – pendant, ceiling, wall mount
- ¾" NPT – bulkhead mount



Options:

Description

- 250V luminaire for export applications (medium base only) **250**

Suffix

Accessories (ordered separately):

- Reflectors – for ordering by components, see page 23

Photometrics:

- Complete photometrics can be found at www.crouse-hinds.com/photometrics







EVI explosionproof incandescent luminaires

100-500W medium & mogul base

Cl. I, Div. 1, Groups C, D
Cl. I, Zones 1 & 2, Group IIB
Cl. II, Groups E, F, G (max. 150W – med. base)

Cl. III & Simultaneous Presence (max. 150W – med. base)
Marine & Wet Locations
Type 4X, IP66

Ordering information:

	Mounting style	Hub size	Cat. #	Cat. #
			EVI301 medium base with EV505 guard (max. 300W PS25)	EVI501 mogul base with EV503 guard (max. 500W PS40)
	Pendant mount	$\frac{3}{4}$ "	EVI2301	EVI2501
		1"	EVI3301	EVI3501
	Ceiling mount	$\frac{3}{4}$ "	EVICX2301	EVICX2501
		1"	EVICX3301	EVICX3501
	Wall mount	$\frac{3}{4}$ "	EVIBX2301	EVIBX2501
		1"	EVIBX3301	EVIBX3501
	Bulkhead mount	$\frac{3}{4}$ "	EVIBH2301	–
		$\frac{7}{8}$ "	–	–
	Stanchion mount	$1\frac{1}{4}$ "	EVIJ4301	EVIJ4501
	Luminaire with guard less mounting module	–	EVI301	EVI501

Note: Medium base luminaires (EVI301) – For A19 lamps up to 100W, use Leviton socket extension, Leviton catalog number 2005.
Mogul base luminaires (EVI501) – For PS30 medium base lamps, use Eaton's Wiring Devices socket adapter, catalog number 332.

EVI explosionproof incandescent luminaires

Ordering by components

EVI luminaires are available in components.

A complete luminaire consists of:

- I. Mounting module
- II. EVI luminaire body and globe assembly
- III. Guard, reflector

I. Mounting module:

Type	Conduit size	Cat. #
Pendant	$\frac{3}{4}$ "	EVMP2
	1"	EVMP3
Ceiling and wall box	$\frac{3}{4}$ "	EV22
	1"	EV33
Wall bracket arm	$\frac{3}{4}$ "	EV22 & EV87
	1"	EV33 & EV87
Stanchion	$1\frac{1}{4}$ "	EVMJ4
Bulkhead	$\frac{3}{4}$ "	EVIJ2

II. Luminaire body and globe assembly with guard:

Type	Cat. #
Medium base	EVI301
Mogul base	EVI501

III. Guards and reflectors:

Type	Cat. #
Guard – fits EVI301 (medium base)	EV505
Guard – fits EVI501 (mogul base)	EV503
Dome reflector – fits EVI301 (medium base)	RD636
Angle reflector – fits EVI301 (medium base)	RA636
Dome reflector – fits EVI501 (mogul base)	RD739
Angle reflector – fits EVI501 (mogul base)	RA739

EVI explosionproof incandescent luminaires

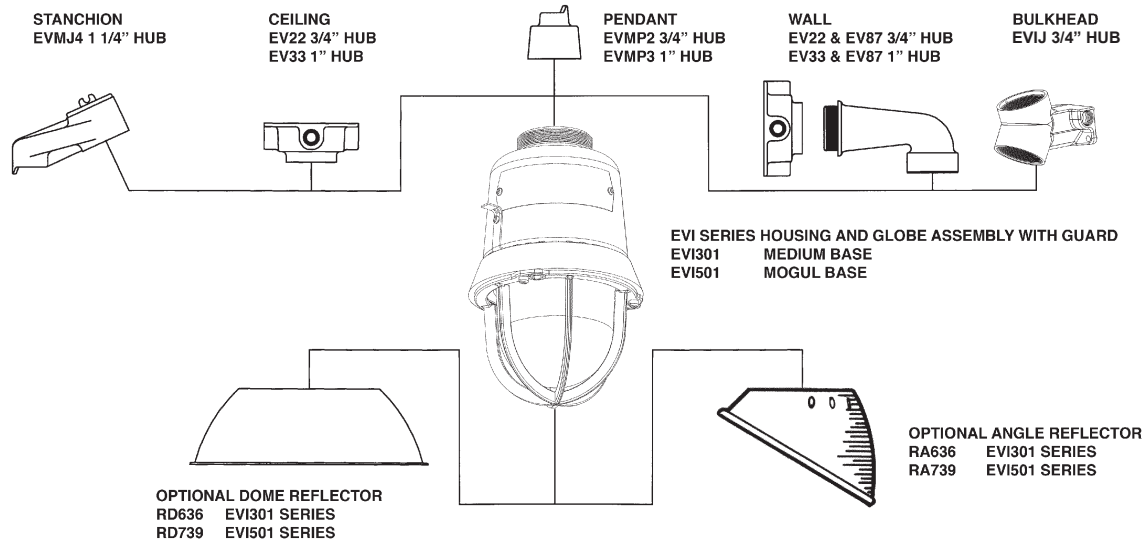
100-500W medium & mogul base

Cl. I, Div. 1, Groups C, D
Cl. I, Zones 1 & 2, Group IIB
Cl. II, Groups E, F, G (max.
150W – med. base)

Cl. III & Simultaneous Presence
(max. 150W – med. base)
Marine & Wet Locations
Type 4X, IP66

1L

Family tree:



Temperature performance data:

Type	Watts / lamp	Class I, Div. 1 (Class I, Zone 1)			Class II	Simultaneous presence	Supply wire		
		Ambient			Ambient	Ambient	Ambient		
		40°C	55°C	65°C	40°C	40°C	40°C	55°C	65°C
EVI301 medium base	100W, A21 or A19	T4	T3C	T3C	T3C	T3C	90	105	125
	150W, A21	T4	T3C	T3C	T3C	T3C	90	105	125
	200W, A23 or A25	T3	T2D	T2C	–	–	105	125	125
EVI501 mogul base	300W, PS25	T3	T2D	T2C	–	–	105	125	125
	200W, PS30	T4A	T4	T4	T3A	T3A	90	90	105
	300W, PS35	T4	T3C	T3C	–	–	90	90	105
	500W, PS40	T3A	T3	T3	–	–	105	125	125

EVI explosionproof incandescent luminaires

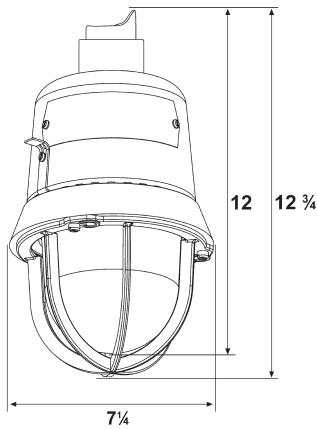
100-500W medium & mogul base

Cl. I, Div. 1, Groups C, D
Cl. I, Zones 1 & 2, Group IIB
Cl. II, Groups E, F, G (max. 150W – med. base)

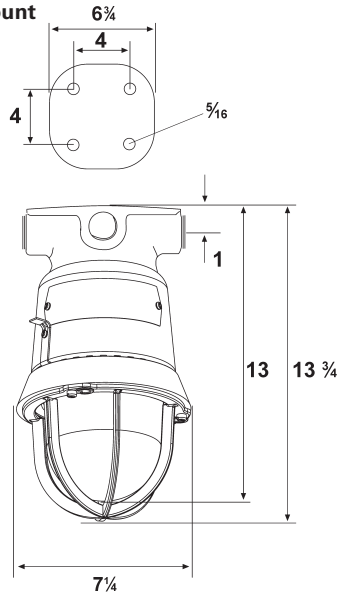
Cl. III & Simultaneous Presence (max. 150W – med. base)
Marine & Wet Locations
Type 4X, IP66

Dimensions (in inches) – medium base:

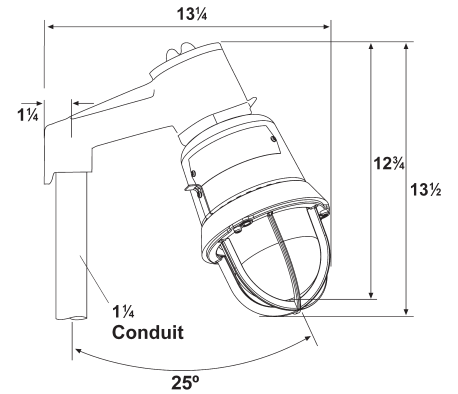
Pendant mount



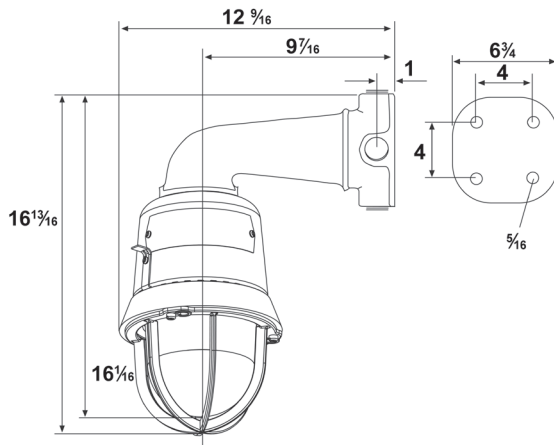
Ceiling mount



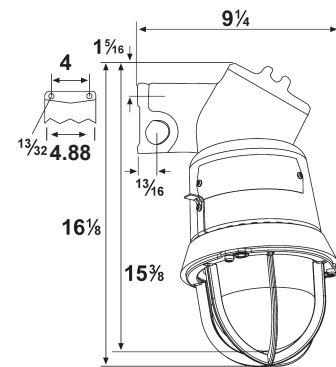
Stanchion mount



Wall mount



Bulkhead mount



Net luminaire weights – medium base:

	Weight (lbs.)		Weight (lbs.)
EVI301 with guard	11.0		
Add mounting modules:		Add for reflectors:	
Pendant	1.0	RD636 (dome reflector, small)	1.5
Ceiling	2.0	RA636 (angle reflector, small)	1.0
Wall	4.5	RD739 (dome reflector, small)	2.0
Bulkhead	2.2	RA739 (angle reflector, small)	1.4
Stanchion	2.5		

EVI explosionproof incandescent luminaires

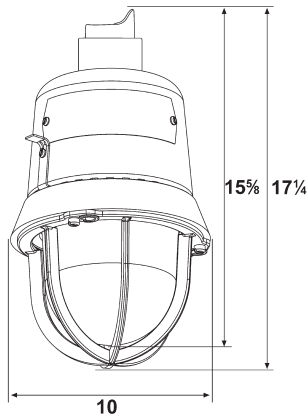
100-500W medium & mogul base

Cl. I, Div. 1, Groups C, D
 Cl. I, Zones 1 & 2, Group IIB
 Cl. II, Groups E, F, G (max. 150W – med. base)

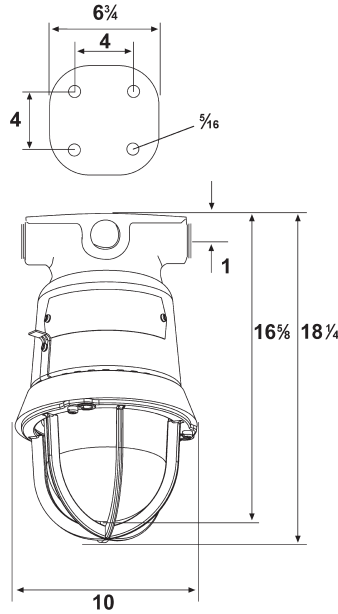
Cl. III & Simultaneous Presence (max. 150W – med. base)
 Marine & Wet Locations
 Type 4X, IP66

Dimensions (in inches) – mogul base:

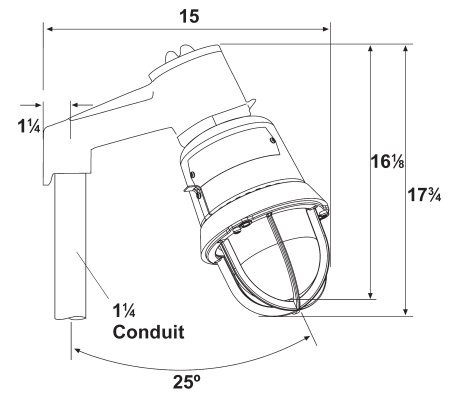
Pendant mount



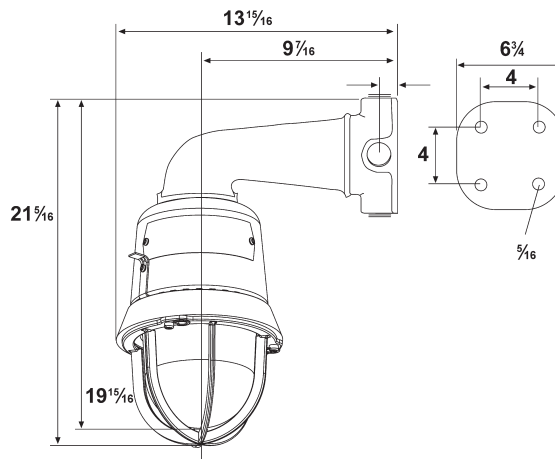
Ceiling mount



Stanchion mount



Wall mount



Net luminaire weights – mogul base:

	Weight (lbs.)		Weight (lbs.)
EVI501 with guard	24.0		
Add mounting modules:		Add for reflectors:	
Pendant	1.0	RD636 (dome reflector, small)	1.5
Ceiling	2.0	RA636 (angle reflector, small)	1.0
Wall	4.5	RD739 (dome reflector, small)	2.0
Bulkhead	2.2	RA739 (angle reflector, small)	1.4
Stanchion	2.5		