

Pauluhn ECOS ED2N linear fluorescent luminaires

For use in hazardous areas

Cl. I, Div. 2, Groups A, B, C, D
Cl. II, Div. 1, Groups E, F, G
Cl. III

Type 4X, IP66

5L

Applications:

- Oil and gas exploration and production
- Petrochemical facilities
- Wastewater treatment

Features:

- UV stabilized, impact-resistant fiberglass-reinforced polyester housing
- Shock- and vibration-resistant lamp holders reduce premature lamp failure
- Available in two and four foot lengths
- T5, T5HO, T8 lamps in 1-, 2- or 3-lamp configurations
- Ceiling, wall and pipe clamp
- Eye bolts
- Shock mount
- Tool-less entry for ease of installation
- Up to three gland entries at each end, suitable for dead end, through feed or single-ended "T" wiring
- Lens is removable at 120°, allowing for narrow gap mounting between obstructions

Electrical ratings:

- 120-277 VAC, 50/60 Hz
- Optional emergency battery back-up ballast (self-contained 90 minute minimum with LED charge status indicator for all lamp types)



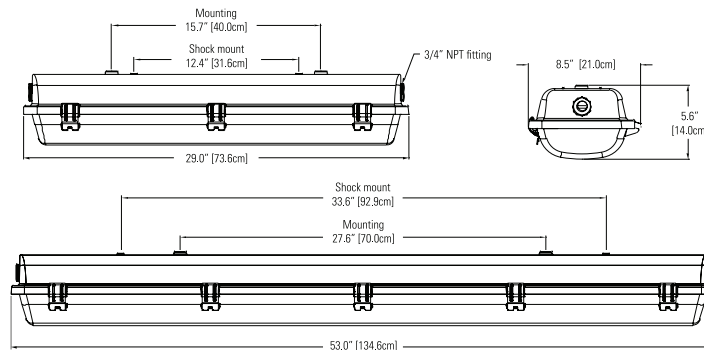
Photometrics:

- Complete photometrics can be found at www.crouse-hinds.com/photometrics

Temperature performance data:

Lamp watts (2 ft. / 4 ft.)	Ballast / socket type	ANSI lamp code	T-code	Maximum ambient °C	Supply wire °C
14/28	T5 mini bi-pin G5	F14 / F28-T5	T4A	55	90
24/54	T5HO mini bi-pin G5	F24 / F54-T5HO	T3C	55	90
17/32	T8 bi-pin G13	F17 / 32-T8	T4A	55	90
17/32	T8 bi-pin G13	F17 / 32-T8	T6	55	90
18/36	T8 bi-pin G13	F18 / 36-T8	T4A	55	90

Dimensions:



Certifications and compliances:

- Class I, Division 2, Groups A, B, C, D
- Class II, Division 1, Groups E, F, G
- Class III
- UL844 – Hazardous Locations
- CSA – Class 3428 83
- CSA – Class 3428 03
- EN 60529 – Ingress Protection
- ABS
- Type 4X
- IP66

Standard materials:

- Housing – UV stabilized fiberglass-reinforced polyester
- Lens – injection molded polycarbonate
- Reflector – engineered plastic
- Gaskets – silicone
- Latches – stainless steel
- Lamp holders – shock- and vibration-resistant polycarbonate

Weights:

Model	Weight (lbs.)	Weight (kg.)
2 foot	9.0	4.0
4 foot	17.0	8.0

Pauluhn ECOS ED2N linear fluorescent luminaires

For use in hazardous areas

Cl. I, Div. 2, Groups A, B, C, D
Cl. II, Div. 1, Groups E, F, G
Cl. III

Type 4X, IP66

5L

Ordering information:

Part number example
ED2N42171012L

ED2N 4 2 1 7 1 012 L

Length (nominal)

2	2 foot
4	4 foot

Number of lamps

1	1 lamp
2	2 lamps
3 ^A	3 lamps

Lamp types

1	2 ft. 17 or 4 ft. 32 T8 bi-pin
3	2 ft. 18 or 4 ft. 36 T8 bi-pin
5	2 ft. 24 or 4 ft. 54 T5HO bi-pin
6	2 ft. 14 or 4 ft. 28 T5 bi-pin

Voltage / frequency

7	120-277 VAC, 50/60 Hz
6	347 VAC, 60 Hz
9	480 VAC, 60 Hz

Mounting options

X	No mounting style, M8 nuts
1	Ceiling bracket, stainless steel
2	Wall mount cornice bracket
3	Pipe clamp bracket
4	Cable suspension eye bolts
5	Shock mount brackets (factory installed only)

Options

SW	Internal safety disconnect switch
EM1	Emergency ballast, one lamp
L	Lamps
T	Terminal block, 5-pole
T2	Terminal block each end, 5-pole

Entries

012	Myers™ conduit hubs, zinc, 3/4" NPT, one entry at each end
022	Myers conduit hubs, zinc, 3/4" NPT, two entries at each end
112	Myers conduit hubs, stainless steel, 3/4" NPT, one entry at each end
122	Myers conduit hubs, stainless steel, 3/4" NPT, two entries at each end
113	Myers conduit hubs, 316 stainless steel, 3/4" NPT, one entry at each end
123	Myers conduit hubs, 316 stainless steel, 3/4" NPT, two entries at each end
212	Gland plate, plastic, one 3/4" entry at each end
222	Gland plate, plastic, two 3/4" entries at each end
232	Gland plate, plastic, three 3/4" entries at each end

^AEmergency ballast not available with 2 foot, 3-lamp fixtures.

Pauluhn ECOS ED2N linear fluorescent luminaires

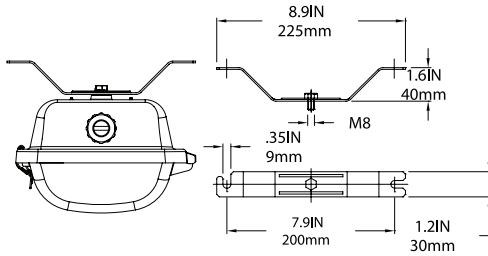
For use in hazardous areas

Cl. I, Div. 2, Groups A, B, C, D Type 4X, IP66
Cl. II, Div. 1, Groups E, F, G
Cl. III

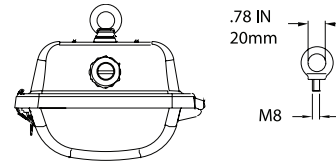
5L

Mounting options:

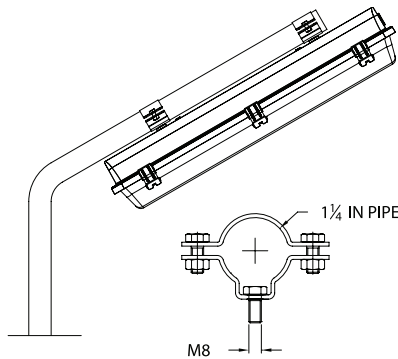
Ceiling mount (ECO1091MTK)



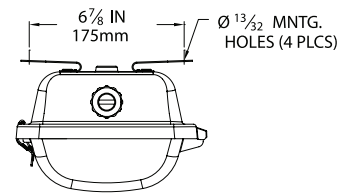
Cable suspension eye bolts (ECOEBKIT)



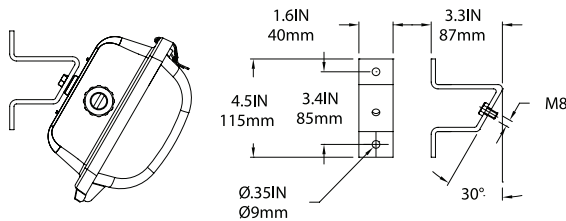
Pipe clamp bracket (ECOPMKT)



Shock mount cornice bracket (factory installed)



Wall mount (ECOWMKT)



5L

Pauluhn ECOS EHAR linear fluorescent luminaires

Type 4X, IP66

5L

For use in harsh environments

Applications:

- Harsh and heavy industrial
- Food and beverage
- Pulp and paper
- Wastewater treatment

Features:

- UV stabilized, impact-resistant fiberglass-reinforced polyester housing
- Shock- and vibration-resistant lamp holders reduce premature lamp failure
- Available in two and four foot lengths
- T8, T5, T5HO lamps in 1-, 2- or 3-lamp configurations
- Ceiling, wall and pipe clamp
- Eye bolts
- Tool-less entry for ease of installation
- Up to three gland entries at each end, suitable for dead end, through feed or single-ended "T" wiring
- Lens is removable at 120°, allowing for narrow gap mounting between obstructions

Certifications and compliances:

- UL924 – Emergency Lighting Equipment
- UL1598 – Luminaires
- cUL
- ABS
- Type 4X
- IP66
- Enclosed and gasketed

Standard materials:

- Housing – fiberglass-reinforced polyester
- Lens – injection molded polycarbonate
- Reflector – engineered plastic
- Gaskets – silicone
- Latches – engineered plastic (standard); stainless steel (optional)
- Lamp holders – polycarbonate

Electrical ratings:

- 120-277 VAC, 50/60 Hz
- Optional emergency battery back-up ballast (self-contained 90 minute minimum with LED charge status indicator for all lamp types)



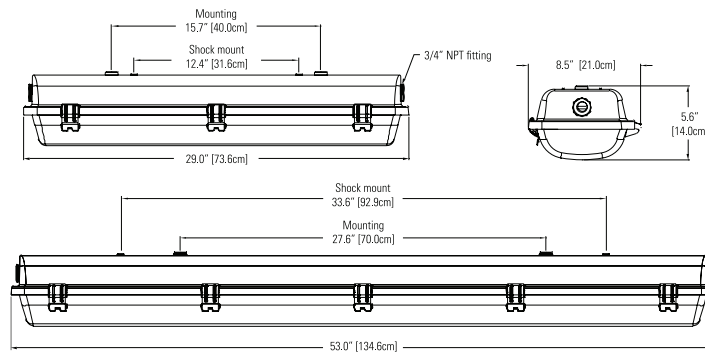
Photometrics:

- Complete photometrics can be found at www.crouse-hinds.com/photometrics

Temperature performance data:

Lamp watts (2 ft. / 4 ft.)	Ballast / socket type	ANSI lamp code	Supply wire °C
14/28	T5 mini bi-pin G5	F14 / F28-T5	90
24/54	T5HO mini bi-pin G5	F24 / F54-T5HO	90
17/32	T8 bi-pin G13	F17 / 32-T8	90
17/32	T8 bi-pin G13	F17 / 32-T8	90
18/36	T8 bi-pin G13	F18 / 36-T8	90

Dimensions:



Weights:

Model	Weight (lbs.)	Weight (kg.)
2 foot	9.0	4.0
4 foot	17.0	8.0

Pauluhn ECOS EHAR linear fluorescent luminaires

Type 4X, IP66

5L

For use in harsh environments

Ordering information:

Part number example

EHAR42174012L

EHAR 4 2 1 7 4 012 L

Length (nominal)

2	2 foot
4	4 foot

Number of lamps

1	1 lamp
2	2 lamps
3 ^A	3 lamps

Lamp types

1	2 ft. 17 or 4 ft. 32 T8 bi-pin
3	2 ft. 18 or 4 ft. 36 T8 bi-pin
5	2 ft. 24 or 4 ft. 54 T5HO bi-pin
6	2 ft. 14 or 4 ft. 28 T5 bi-pin

Voltage / frequency

7	120-277 VAC, 50/60 Hz
6	347 VAC, 60 Hz

Mounting options

1	Ceiling bracket, stainless steel
2	Wall mount cornice bracket
3	Pipe clamp bracket
4	Cable suspension eye bolts

Options

EM2	Emergency ballast, one lamp, 277V max.
EM3	Emergency ballast, high lumen, one lamp, 277V max.
EMT2	Emergency ballast, one lamp, 277V max., test switch
EMT3	Emergency ballast, high lumen, one lamp, 277V max., test switch
L	Lamps
S	Stainless steel latch
T	Terminal block, 5-pole
T2	Two terminal blocks, 5-pole, one on each end

Entry

012	Myers conduit hubs, zinc, 3/4" NPT, one entry at each end
022	Myers conduit hubs, zinc, 3/4" NPT, two entries at each end
112	Myers conduit hubs, stainless steel, 3/4" NPT, one entry at each end
122	Myers conduit hubs, stainless steel, 3/4" NPT, two entries at each end
712	3/4" NPT entry, one entry at each end
722	3/4" NPT entry, two entries at each end
733	3/4" NPT entry, three entries at each end

^AEmergency ballast not available with 2 ft., 3-lamp fixtures.

Pauluhn ECOS EHAR linear fluorescent luminaires

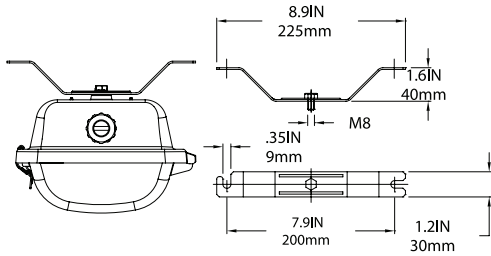
Type 4X, IP66

5L

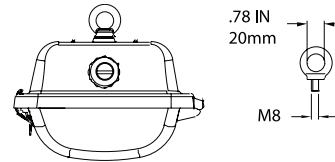
For use in harsh environments

Mounting options:

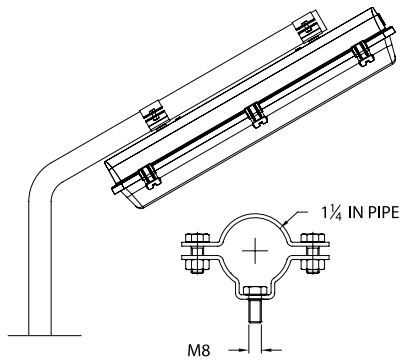
Ceiling mount (ECO1091MTK)



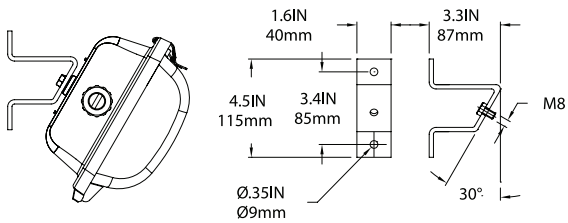
Cable suspension eye bolts (ECOEBKIT)



Pipe clamp bracket (ECOPMKT)



Wall mount (ECOWMKT)



5L

Pauluhn ECOS EMAR linear fluorescent luminaires

For use in marine environments

Marine Locations
Type 4X, IP66

5L

Applications:

- Shipyards
- Docks
- Marine vessels

Features:

- UV stabilized, impact-resistant fiberglass-reinforced polyester housing
- Shock- and vibration-resistant lamp holders reduce premature lamp failure
- Available in two and four foot lengths
- T8, T5, T5HO lamps in 1-, 2- or 3-lamp configurations
- Ceiling, wall and pipe clamp
- Shock mount
- Tool-less entry for ease of installation
- Up to three gland entries at each end, suitable for dead end, through feed or single-ended "T" wiring
- Lens is removable at 120°, allowing for narrow gap mounting between obstructions

Certifications and compliances:

- UL924 – Emergency Lighting Equipment
- UL1598A – Luminaires for Marine Vessels
- ABS
- Type 4X
- IP66
- Marine Outside Type Salt Water

Standard materials:

- Housing – fiberglass-reinforced polyester
- Lens – injection molded polycarbonate
- Reflector – engineered plastic
- Gaskets – silicone
- Latches – stainless steel
- Lamp holders – polycarbonate

Electrical ratings:

- 120-277 VAC, 50/60 Hz
- Optional emergency battery back-up ballast (self-contained 90 minute minimum with LED charge status indicator for all lamp types)



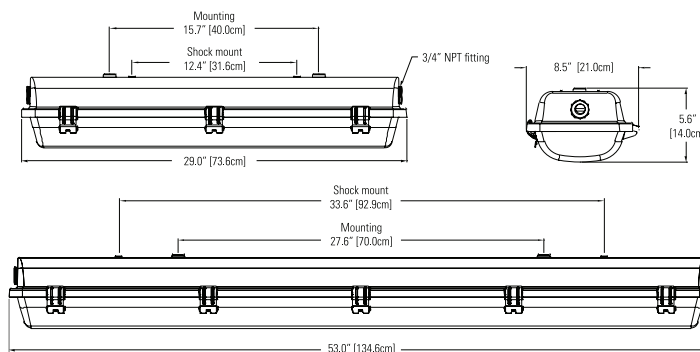
Photometrics:

- Complete photometrics can be found at www.crouse-hinds.com/photometrics

Temperature performance data:

Lamp watts (2 ft. / 4 ft.)	Ballast / socket type	ANSI lamp code	Supply wire °C
14/28	T5 mini bi-pin G5	F14 / F28-T5	90
24/54	T5HO mini bi-pin G5	F24 / F54-T5HO	90
17/32	T8 bi-pin G13	F17 / 32-T8	90
17/32	T8 bi-pin G13	F17 / 32-T8	90
18/36	T8 bi-pin G13	F18 / 36-T8	90

Dimensions:



Weights:

Model	Weight (lbs.)	Weight (kg.)
2 foot	9.0	4.0
4 foot	17.0	8.0

Pauluhn ECOS EMAR linear fluorescent luminaires

For use in marine environments

Marine Locations
Type 4X, IP66

5L

Ordering information:

Part number example
EMAR42174000L

EMAR 4 2 1 7 4 000 L

Length (nominal)

2	2 foot
4	4 foot

Number of lamps

1	1 lamp
2	2 lamps
3 ^A	3 lamps

Lamp types

1	2 ft. 17 or 4 ft. 32 T8 bi-pin
3	2 ft. 18 or 4 ft. 36 T8 bi-pin
5	2 ft. 24 or 4 ft. 54 T5HO bi-pin
6	2 ft. 14 or 4 ft. 28 T5 bi-pin

Voltage / frequency

7	120-277 VAC, 50/60 Hz
6 ^B	347 VAC, 60 Hz
9	480 VAC, 60 Hz

Options

EM2	Emergency ballast, one lamp, 277V max.
EM3	Emergency ballast, high lumen, one lamp, 277V max.
EMT2	Emergency ballast, one lamp, 277V max., test switch
EMT3	Emergency ballast, high lumen, one lamp, 277V max., test switch
LC	Lamps
T	Terminal block, 5-pole
T2	Two terminal blocks, 5-pole, one on each end
RV-1^D	Red filter tube on single lamp ballast
BV-1^D	Blue filter tube on single lamp ballast
YV-1^D	Yellow filter tube on single lamp ballast

Mounting options

1	Ceiling bracket, stainless steel
2	Wall mount cornice bracket
3	Pipe clamp bracket
5	Shock mount brackets (factory installed only)

Entry

000	¾" plastic gland at one end, plugged ¾" entry
412	One gland at each end
422	Two glands at each end
432	Three glands at each end

- ^AEmergency ballast not available with 2 ft., 3-lamp fixtures.
- ^BEmergency ballast not available with 347 VAC model, 2 ft. fixtures or 4 ft. fixtures with wall bracket.
- ^CLamp not included unless 'L' option is specified.
- ^DNot available on 24W or 54W T5HO lamps.

Pauluhn ECOS EMAR linear fluorescent luminaires

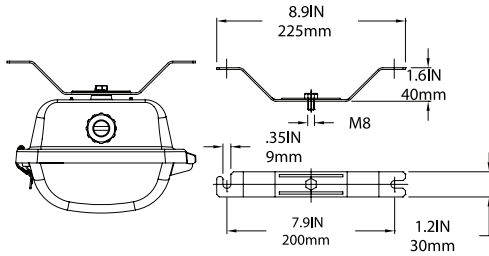
For use in marine environments

Marine Locations
Type 4X, IP66

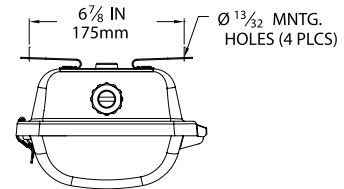
5L

Mounting options:

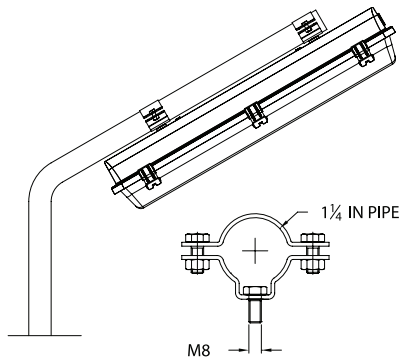
Ceiling mount (ECO1091MTK)



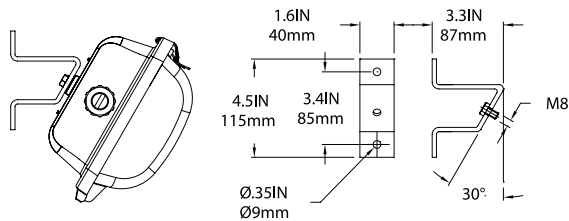
Shock mount cornice bracket (factory installed)



Pipe clamp bracket (ECOPMKT)



Wall mount (ECOWMKT)



5L