

Pauluhn DFL HID hazardous area floodlights

Cl. I, Div. 2, Groups A, B, C, D
Cl. I, Zone 2, AEx nR II
Cl. II, Div. 1, Groups F, G (250W
max.)
Ex nR II

Marine & Wet Locations
NEMA 4X
IP66

6L

Applications:

- Onshore drilling and exploration
- Pipeline compressor and storage
- Corrosive environments
- Façade security lighting

Features:

- 150-400W high pressure sodium or 175-400W metal halide
- AEx nR, Ex nR restricted breathing rating is standard – restricted breathing offers cooler T-numbers for increased hazardous locations suitability
- NEMA 7x6 butterfly beam floodlight pattern – wide, uniform and far reaching to provide excellent efficiency and more light where you need it
- NEMA Type 4X and IP66 heavy duty, die cast copper-free aluminum construction is designed for use indoors and outdoors in marine and wet locations with stainless steel external hardware suitable for saltwater and corrosive applications
- 40°C, 55°C and 65°C ambient suitability – addresses high ambient common at industrial facilities
- Low ambient capability to -40°C – perfect for colder climates
- Hinged door frame assembly – has captive cover screws for ease of relamping
- Yoke mount design – standard construction provides the greatest mounting flexibility; can be mounted vertically (wall), horizontally (rooftop or floor) or any angle in between
- 3-axis resonance withstand and UL844 vibration compliant – can stand up to the tough jobs
- Precision formed aluminum reflector – superior beam control, distribution and efficiency
- High light output with a low cost of operation – cost-effectiveness in a high wattage floodlight
- Slipfitter adapter for pole mounting and wall mounting bracket available

Certifications and compliances:

- Class I, Division 2, Groups A, B, C, D
- Class I, Zone 2, AEx nR II
- Class II, Division 1, Groups F, G (250W maximum)
- Ex nR II
- UL/cUL844 – Hazardous Locations
- UL/cUL1598 – Luminaires
- UL/cUL1598A – Supplemental Requirements for Luminaires for Installation on Marine Vessels
- 60079-15
- NEMA Type 4X
- IP66
- Marine and wet locations
- ABS



Standard materials and finishes:

- Housing and lens frame – heavy duty die cast copper-free aluminum with Corro-free epoxy powder coat finish
- Lens – heat- and impact-resistant tempered glass
- Gasket – one-piece silicone
- Mounting brackets – aluminum with Corro-free epoxy powder coat finish
- Reflector – precision formed aluminum
- Lamp holder – porcelain
- Hardware – stainless steel

Technical specifications:

- Entries – one 3/4" AEx/Ex gland
- Wind rating – EPA: 2.90 at vertical
- Lamp type – high pressure sodium; probe start metal halide^A; pulse start metal halide (lamps not provided)
- Lamp holder – mogul base
- Ballast – multi-tap 120/208/240/277V, 60 Hz (standard); 220-240V, 50 Hz (optional); tri-tap 120/277/347V (optional); 480V (optional)

Mounting option:

- Yoke mount

Photometrics:

- Complete photometrics can be found at www.crouse-hinds.com/photometrics

^ANot available in the U.S.

Pauluhn DFL HID hazardous area floodlights

Cl. I, Div. 2, Groups A, B, C, D
Cl. I, Zone 2, AEx nR II
Cl. II, Div. 1, Groups F, G (250W max.)
Ex nR II

Marine & Wet Locations
NEMA 4X
IP66

6L

Options:

Description	Suffix
• Lamps included	L Ⓟ
• 480V	480
<i>Replace /MT in catalog number with /480</i>	
• 230V	230
<i>Replace /220 ONLY in catalog number with /230</i>	

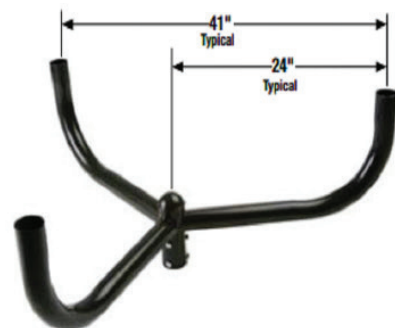
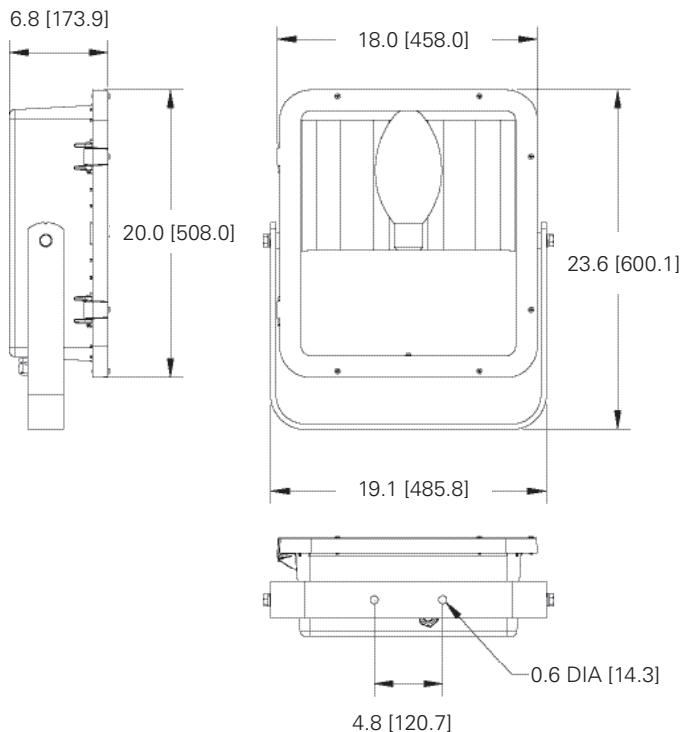
Accessories (ordered separately):

Description	Cat. #
• Pole mount slipfitter adapter	SFA6
• Wall mount bracket adapter	SWB6
• Bull horn, 2 tenon, gray	BLHN2
• Bull horn, 3 tenon, gray	BLHN3

Ordering information:

Cat. #	Lamp type	Watts	Weight (lbs.)	ANSI lamp type	Zone T-code	Division T-code	Ambient temperature °C	Supply wire °C
DFLMY250/MT 76 S828	Pulse start metal halide	250	42.0	M153	T3	T1	40/55/65	90/90/105
DFLMY400/MT 76 S828	Pulse start metal halide	400	44.0	M155	T3	T1	40/55	105/105
DFLMY320/MT 76 S828	Pulse start metal halide	320	44.0	M154	T3	T1	40/55	105/105
DFLMY250/TT 76 Ⓞ	Probe start metal halide	250	42.0	M58Ⓞ	T3	T1	40/55/65	90/90/105
DFLMY400/TT 76 Ⓞ	Probe start metal halide	400	44.0	M59Ⓞ	T3	T1	40/55	90/105
DFLMY250/220 50 76 Ⓞ	Probe start metal halide	250	42.0	M58Ⓞ	T3	T1	40/55/65	90/90/105
DFLMY400/220 50 76 Ⓞ	Probe start metal halide	400	44.0	M59Ⓞ	T3	T1	40/55	90/105
DFLSY250/MT 76	High pressure sodium	250	40.0	S50	T3	T1	40/55/65	90/90/105
DFLSY400/MT 76	High pressure sodium	400	44.0	S51	T3	T1	40/55	90/105
DFLSY250/TT 76	High pressure sodium	250	40.0	S50	T3	T1	40/55/65	90/90/105
DFLSY400/TT 76	High pressure sodium	400	44.0	S51	T3	T1	40/55	90/105
DFLSY250/220 50 76	High pressure sodium	250	40.0	S50	T3	T1	40/55/65	90/90/105
DFLSY400/220 50 76	High pressure sodium	400	44.0	S51	T3	T1	40/55	90/105

Dimensions (in inches):



Bull horns – provided with 2 3/8" pole tenon

Ⓟ Lamp is not included unless option 'L' is selected.
Ⓞ Not available in the U.S.

6L