

Champ N2MVF

non-metallic compact fluorescent luminaires

Cl. I, Div. 2, Groups A, B, C, D
Cl. II, Groups F, G
Cl. III & Simultaneous Presence

Marine & Wet Locations
3, 3R, 4, 4X; IP56

5L

Applications:

Champ® N2MVF luminaires are used:

- In areas in which ignitable concentrations of flammable gases or vapors will be present due to abnormal, unusual or accidental conditions
- In installations where moisture, dirt, vibration, corrosion or rough usage are concerns
- Wherever the damaging effects of water, wind, snow, sleet, hot sun or any combination of these elements are found
- Ideal for marine use; resists the harmful effects of salt water
- Withstands the harshest of corrosive environments
- To provide low wattage spot and floodlighting
- For general area lighting
- In manufacturing plants, refineries, chemical, petrochemical and other industrial process facilities, wastewater and sewage treatment facilities, offshore, dockside and harbor installations, as well as other heavy industrial applications

Features:

- Housings and mounting modules made of polyphenylene sulfide (PPS) for strength and maximum resistance to corrosion
- Pendant mounting module equipped with integral hub set screws for vibration resistance
- Hubs are provided with an integral bushing to help prevent damage to field wiring during installation and ground connection for positive bonding
- Guard, hub inserts, stanchion elbow and hardware made of stainless steel for maximum resistance to corrosion
- Grounding wire for safety
- Stainless steel open bottom guard permits direct access to the globe for easy relamping
- Hinged assembly allows the luminaire to hang free during installation to permit the use of both hands when wiring
- One external captive screw for ease of installation
- Hinge assembly doubles as a handle for ease of installation, especially when carrying up a ladder

Energy savings:

- Less wattage used with compact fluorescent lamps compared to equivalent incandescent lamps providing the same light output

Certifications and compliances:

NEC/CEC:

- Class I, Division 2, Groups A, B, C, D
- Class II, Class III & Simultaneous Presence (Class I, Division 2 and Class II)

UL standards:

- UL844 – Hazardous (Classified) Locations
- UL1598 – Luminaires
- UL1598A – Marine Locations

CSA standard:

- C22.2 No. 137

Standard materials:

- Housing and mounting modules – polyphenylene sulfide (PPS)
- Guard, hub inserts, stanchion elbow, hardware – stainless steel
- Globe – heat- and impact-resistant internally fluted glass
- Gaskets – silicone rubber

Electrical ratings:

- Wattages: 52, 64W (two 26 or 32W lamps)
- 120-277V, 50-60 Hz
- 347V, 60 Hz

Photometrics:

- Complete photometrics can be found at www.crouse-hinds.com/photometrics

Ordering information:

Mounting style	Hub size	Lamp watts	Cat. # With G303 globe and P33 guard
Pendant mount	3/4"	52	N2MVF2A052GP
	1"		N2MVF3A052GP
	3/4"	64	N2MVF2A064GP
	1"		N2MVF3A064GP
Ceiling mount through feed	3/4"	52	N2MVF2C052GP
	1"		N2MVF3C052GP
	3/4"	64	N2MVF2C064GP
	1"		N2MVF3C064GP
Stanchion mount 25° angle	1 1/2"	52	N2MVFJ052GP
	1 1/2"	64	N2MVFJ064GP

Complete catalog number as follows:

Standard voltage ballasts

	NEC/UL and CEC/CSA (cUL)	CEC/CSA (cUL)
Voltage	120-277V, 50/60 Hz	347V, 60 Hz
Suffix	/UNV	/347

Optional ballasts

	125V DC	12V DC	24V DC
Voltage	125V DC	12V DC	24V DC
Suffix	/125VDC	/012VDC	/024VDC

Temperature performance data:

Type	Watts	Minimum operating temp.	Maximum ambient	Class I		
				Non-restricted breathing		Supply wire °C
				Class II Div. 2	Class II Div. 1	
Fluorescent	52	-18°C (0°F)	40°C (104°F)	T2D	T4	85
	64	-18°C (0°F)	40°C (104°F)	T2D	T4	85



Options:

- | Description | Suffix |
|---|-----------------|
| • Wall mount arm – for converting a ceiling mount luminaire to wall mount | N2MV-WM1 |
| • Factory assembled with lamps installed for additional labor savings | FA |
| • Fused – protects ballast against abnormal line conditions..... | S658 |
| <i>Not suitable for marine applications</i> | |
| • Furnished with lamps | S714 |
| • Teflon coating on globe for increased shatter protection against glass fragments when subject to thermal shock, etc.. | S808 |

Accessories (ordered separately):

- | Description | Cat. # |
|-----------------------------|--------------|
| • Dome reflector | RD739 |
| • 30° angle reflector | RA739 |

Champ N2MVF non-metallic compact fluorescent luminaires

Ordering by components

Cl. I, Div. 2, Groups A, B, C, D
Cl. II, Groups F, G
Cl. III & Simultaneous Presence

Marine & Wet Locations
3, 3R, 4, 4X; IP56

5L

N2MVF luminaires are available in components.

A complete luminaire consists of:

- I. N2MV cover (mounting module)
- II. N2MV ballast housing
- III. Globe, guard, reflector, refractor

I. N2MV cover (mounting module):

Type	Conduit size	Cat. #
Pendant mount	3/4"	N2APM2
	1"	N2APM3
Ceiling mount	3/4"	N2CM2
	1"	N2CM3
Wall mount (use wall bracket accessory with ceiling cover)	3/4"	N2MV WM1 and N2CM2
	1"	N2MV WM1 and N2CM3
Stanchion mount – 25° angle	1 1/2"	N2JM5

II. Ballast housings:

Complete catalog number must have the **voltage suffix** (UNV shown) and any **options suffixes**.

Lamp type	Lamp watts	Cat. #
Compact fluorescent	52	N2MVF052/UNV
	64	N2MVF064/UNV

III. Globes, guards, reflectors, refractors:

Type	Cat. #
Globe	G303
Globe – Teflon coated	G303S808
Globe guard	P33
Reflector – dome	RD739
Reflector – angle	RA739
Refractor – Type II	GR302
Refractor – Type V	GR305
Refractor guard	P23
Large plastic refractor – Type II	PGR302 ^A
Large plastic refractor – Type V	PGR305 ^A

^APlastic refractors are for non-hazardous areas only.

5L

Champ N2MVF non-metallic compact fluorescent luminaires

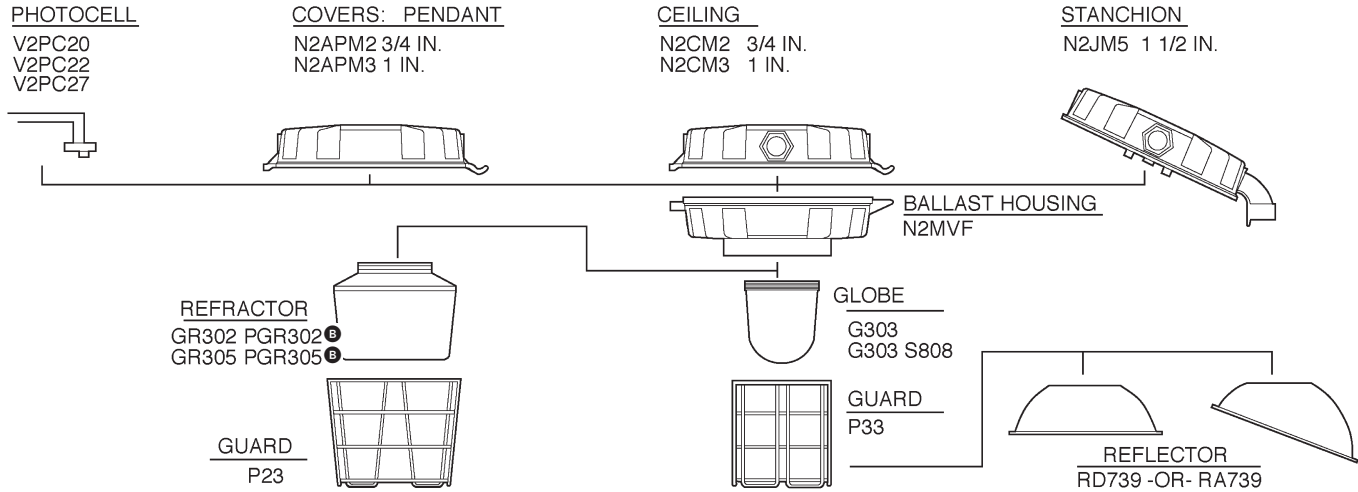
Cl. I, Div. 2, Groups A, B, C, D
Cl. II, Groups F, G
Cl. III & Simultaneous Presence

Marine & Wet Locations
3, 3R, 4, 4X; IP56

5L

Family tree:

**A complete luminaire consists of a cover mount, a ballast housing and a globe,
with or without guard, refractor or reflector**



**All components are suitable for use in ordinary locations,
Class I, Division 2 and wet locations**

^BPlastic refractors are for non-hazardous areas only.

Champ N2MVF

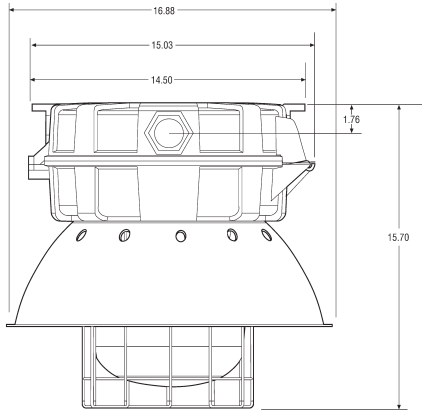
non-metallic compact fluorescent luminaires

Cl. I, Div. 2, Groups A, B, C, D
Cl. II, Groups F, G
Cl. III & Simultaneous Presence

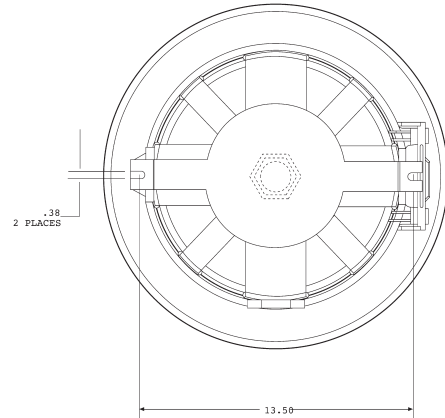
Marine & Wet Locations
3, 3R, 4, 4X; IP56

5L

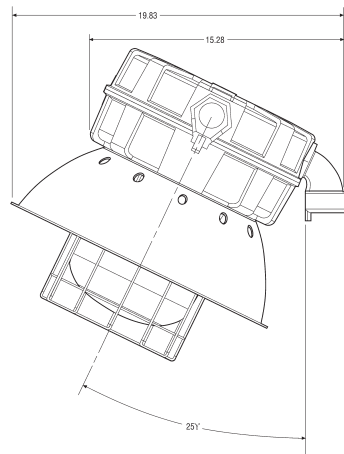
Dimensions (in inches):



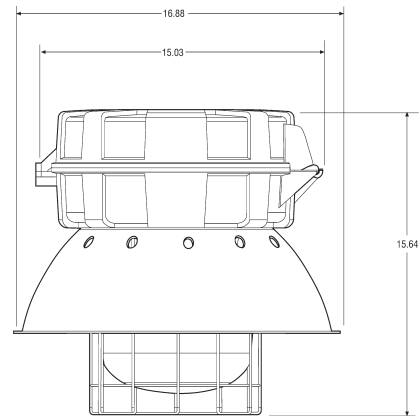
Pendant mount



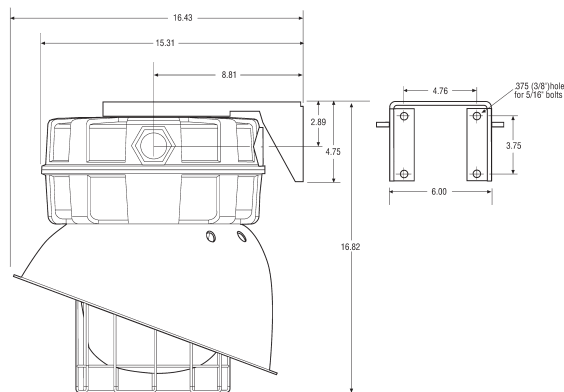
Ceiling mount - top view



Stanchion mount 25° angle



Ceiling mount



Wall arm mount

Weights:

Series	Lamp watts	Luminaire with mounting module, globe, guard and refractor (lbs.)
N2MVF	52	30.00
	64	30.00