

Champ DMVF compact fluorescent luminaires

Cl. I, Div. 2, Groups A, B, C, D
Restricted Breathing Cl. I, Div. 2
& Zone 2 (with suffix S826)
Certified for IEC Zone 2
(with suffix S826TB)

Cl. II, Groups E, F, G
Cl. III & Simultaneous Presence
Marine & Wet Locations
3, 3R, 4, 4X; IP66

5L

Applications:

Champ® DMVF luminaires are used:

- In areas made hazardous by abnormal conditions resulting in the presence of flammable vapors or gases
- In areas made hazardous by the presence of combustible dusts
- Where combustible dusts and flammable vapors are present simultaneously
- In marine applications where water spray and corrosive atmospheres are considerations
- On installations where vibration and rough usage are problematic
- Where a cool, efficient light source is required
- In areas that require lamps to reach full illumination immediately
- In refineries, chemical and petrochemical facilities, grain processing, handling or storage facilities, manufacturing plants, wastewater treatment plants, sewage treatment plants, oil terminals, food processing facilities, breweries and any other manufacturing or processing facility where safe, reliable, hazardous area fluorescent or auxiliary lighting is needed

Features:

- Housings made of die cast copper-free aluminum (less than 0.4 of 1% copper) for strength and resistance to corrosion
- Mounting modules equipped with integral hub set screws for vibration resistance (ceiling, pendant and quad mounts)
- Hubs are provided with an integral conduit stop and bushing to help prevent damage to field wiring during installation
- Epoxy powder finish and stainless steel external hardware for resistance to corrosion
- Long life gaskets which provide seals between mounting module, housing and optical assembly
- Grounding wire for safety
- Cool operating design
- Optional stainless steel open bottom guard permits direct access to the globe for easy relamping
- Optional battery pack ballast for auxiliary lighting

Certifications and compliances:

NEC/CEC:

- Class I, Division 2, Groups A, B, C, D
- Class II, Class III & Simultaneous Presence (Class I, Division 2 and Class II)
- Class I, Zone 2

IEC:

- Zone 2, Ex nR IIC

UL standards:

- UL844 – Hazardous (Classified) Locations
- UL1598 – Luminaires
- UL1598A – Marine Locations

CSA standard:

- C22.2 No. 137

IEC standard:

- 60079-15

Standard materials:

- Ballast housings and mountings – copper-free aluminum (less than 0.4 of 1%)
- Exterior hardware and guards – stainless steel
- Reflectors – Krydon fiberglass-reinforced polyester
- Globe – heat- and impact-resistant internally fluted glass

Standard finishes:

- Aluminum – gray epoxy powder coat
- Krydon – high reflectance white
- Stainless steel – natural

Energy savings

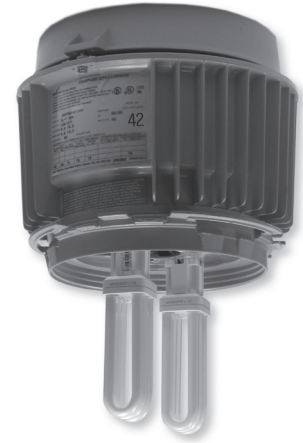
- Less wattage used with compact fluorescent lamps compared to equivalent incandescent lamps providing the same light output

Electrical ratings:

- Wattage: 52, 64, 84W (two 26, 32 or 42W lamps)
- 120-277V, 50-60 Hz
- 347V, 60Hz

Photometrics:

- Complete photometrics can be found at www.crouse-hinds.com/photometrics



Options:

Description	Suffix
• Restricted breathing construction <i>Class I, Division 2 & Zone 2 suitability Cooler operating temperatures (T-codes)</i>	S826
• Certified for IEC Zone 2..... <i>Furnished with terminal block and crimp terminals</i>	S826TB
• Factory assembled with lamps installed for additional labor savings.....	FA
• Fused – protects ballast against abnormal line conditions..... <i>Not available on CSA certified fixtures Not suitable for marine applications</i>	S658
• Lamps supplied with fixture	S714
• Stainless steel insert – top hat with stainless steel threaded insert to attach ballast housing.....	S806
• Teflon coating on globe for increased shatter protection	S808
• Quick-Clip.....	S890

Accessories (ordered separately):

Description	Cat. #
• Dome reflector	RD739
• 30° angle reflector	RA739

Champ DMVF compact fluorescent luminaires

Cl. I, Div. 2, Groups A, B, C, D
Restricted Breathing Cl. I, Div. 2
& Zone 2 (with suffix S826)
Certified for IEC Zone 2
(with suffix S826TB)

Cl. II, Groups E, F, G
Cl. III & Simultaneous Presence
Marine & Wet Locations
3, 3R, 4, 4X; IP66

5L

Ordering information:

BASIC CATALOG NUMBER

Mounting style	Hub size	Lamp watts	BASIC CATALOG NUMBER	
			Cat. #	With G303 globe and P33 guard
Pendant mount	3/4"	52	DMVF2A052GP	
			DMVF3A052GP	
	3/4"	64	DMVF2A064GP	
			DMVF3A064GP	
	3/4"	84	DMVF2A084GP	
			DMVF3A084GP	
Flexible pendant mount	3/4"	52	DMVF2HA052GP	
	3/4"	64	DMVF2HA064GP	
	3/4"	84	DMVF2HA084GP	
Ceiling mount through feed	3/4"	52	DMVF2C052GP	
			DMVF3C052GP	
	3/4"	64	DMVF2C064GP	
			DMVF3C064GP	
	3/4"	84	DMVF2C084GP	
			DMVF3C084GP	
Wall mount through feed	3/4"	52	DMVF2TW052GP	
			DMVF3TW052GP	
	3/4"	64	DMVF2TW064GP	
			DMVF3TW064GP	
	3/4"	84	DMVF2TW084GP	
			DMVF3TW084GP	
Quad mount Pendant, adjustable through feed, 25° angle, 12 1/2° angle	3/4"	52	DMVF25Q052GP	
	3/4"	64	DMVF25Q064GP	
	3/4"	84	DMVF25Q084GP	
Stanchion mount 25° angle	1 1/2"	52	DMVFJ052GP	
	1 1/2"	64	DMVFJ064GP	
	1 1/2"	84	DMVFJ084GP	
Stanchion mount Straight	1 1/2"	52	DMVFP052GP	
	1 1/2"	64	DMVFP064GP	
	1 1/2"	84	DMVFP084GP	

Complete catalog number as follows:

Standard voltage ballasts

	NEC/UL and CEC/CSA (cUL)	CEC/CSA (cUL)
Voltage	120-277V, 50/60 Hz	347V, 60 Hz
Suffix	/UNV	/347

Champ DMVF compact fluorescent luminaires

Ordering by components

Cl. I, Div. 2, Groups A, B, C, D
Restricted Breathing Cl. I, Div. 2
& Zone 2 (with suffix S826)
Certified for IEC Zone 2
(with suffix S826TB)

Cl. II, Groups E, F, G
Cl. III & Simultaneous
Presence
Marine & Wet Locations
3, 3R, 4, 4X; IP66

5L

DMVF luminaires are available in components.

A complete luminaire consists of:

- I. Champ cover (mounting module)
- II. DMVF ballast housing
- III. Globe, guard, reflector

I. Champ cover (mounting module):

Type	Conduit size	Cat. #
Pendant mount	$\frac{3}{4}$ "	APM2
	1"	APM3
Flexible pendant mount	$\frac{3}{4}$ "	HPM2
Ceiling mount	$\frac{3}{4}$ "	CM2
	1"	CM3
Wall mount	$\frac{3}{4}$ "	TWM2
	1"	TWM3
Stanchion mount – 25° angle	1½"	JM5
Stanchion mount – straight	1½"	PM5
Quad mount	$\frac{3}{4}$ "	QM25

II. Ballast housings:

Complete catalog number must have the **voltage suffix** (UNV shown) and any **options suffixes**.

Lamp type	Lamp watts	Cat. #
Compact fluorescent	52	DMVF052/UNV
	64	DMVF064/UNV
	84	DMVF084/UNV

III. Globes, guard, reflectors:

Type	Cat. #
Globe	G303
Globe – Teflon coated	G303S808
Globe guard	P33
Reflector – dome	RD739
Reflector – angle	RA739

5L

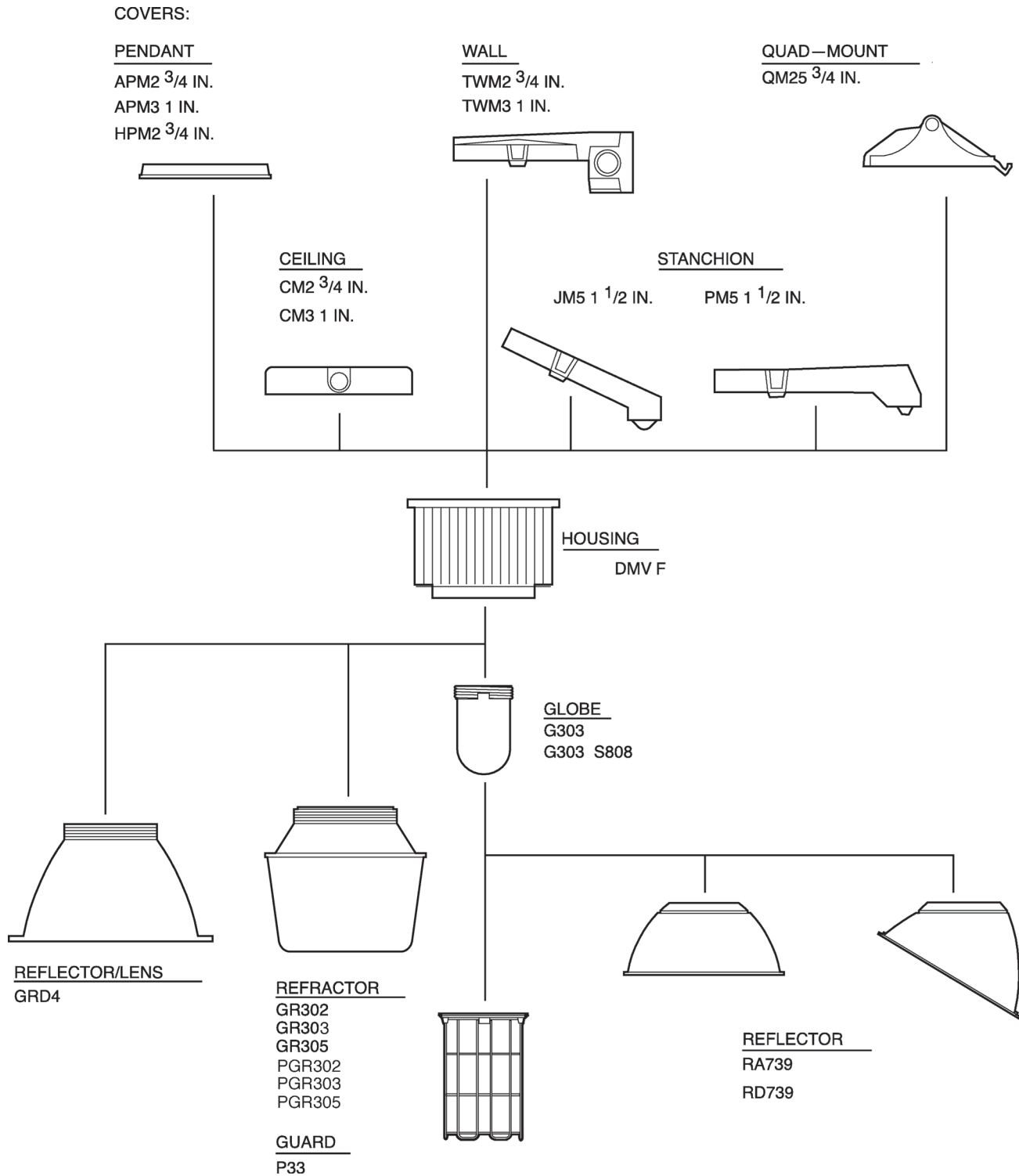
Champ DMVF compact fluorescent luminaires

Cl. I, Div. 2, Groups A, B, C, D
Restricted Breathing Cl. I, Div. 2
& Zone 2 (with suffix S826)
Certified for IEC Zone 2
(with suffix S826TB)

Cl. II, Groups E, F, G
Cl. III & Simultaneous Presence
Marine & Wet Locations
3, 3R, 4, 4X; IP66

5L

Family tree:



5L

Champ DMVF compact fluorescent luminaires

Cl. I, Div. 2, Groups A, B, C, D
Restricted Breathing Cl. I, Div. 2
& Zone 2 (with suffix S826)
Certified for IEC Zone 2
(with suffix S826TB)

Cl. II, Groups E, F, G
Cl. III & Simultaneous Presence
Marine & Wet Locations
3, 3R, 4, 4X; IP66

5L

Temperature performance data:

Type	Watts	Minimum operating temp.	Maximum ambient	Class I		Simultaneous presence			Supply wire °C
				Non-restricted breathing	Restricted breathing	Class II	Non-restricted breathing	Restricted breathing	
				Div. 2	Zone 2 or Div. 2	Div. 1	Class I, Div. 2; Class II	Class I, Zone 2 or Div. 2; Class II	
Fluorescent	52	-20°C (4°F)	40°C (104°F)	T3	T6	T6	T3 / T6	T6	60
	64	-20°C (4°F)	40°C (104°F)	T3	T6	T6	T3 / T6	T6	60
	84	-20°C (4°F)	40°C (104°F)	T3	T6	T6	T3 / T6	T6	60

Net luminaire weights:

Series	Lamp watts	Luminaire with globe and guard (lbs.)
DMVF	52	18.25
	64	18.25
	84	18.25

Type	Weight (lbs.)
Add mounting modules:	
Pendant	1.25
Flexible pendant	1.50
Ceiling	2.75
Wall	4.50
Quad	3.50
Stanchion 25° angle	3.50
Stanchion straight	4.50
Add reflectors:	
Dome	1.25
30° angle	1.75

Deduct: 1.00 lb. for fixture less P33 guard

5L

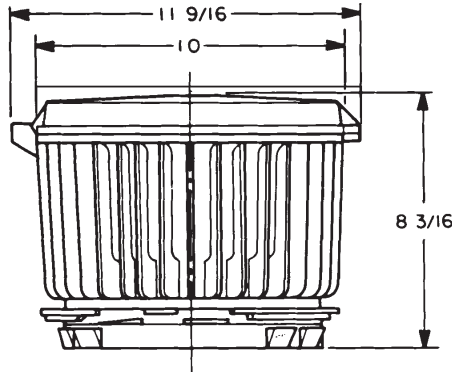
Champ DMVF compact fluorescent luminaires

Cl. I, Div. 2, Groups A, B, C, D
Restricted Breathing Cl. I, Div. 2
& Zone 2 (with suffix S826)
Certified for IEC Zone 2
(with suffix S826TB)

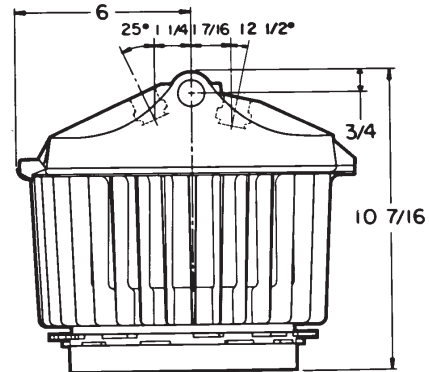
Cl. II, Groups E, F, G
Cl. III & Simultaneous Presence
Marine & Wet Locations
3, 3R, 4, 4X; IP66

5L

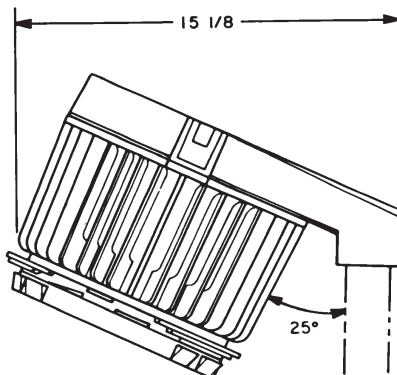
Dimensions (in inches):



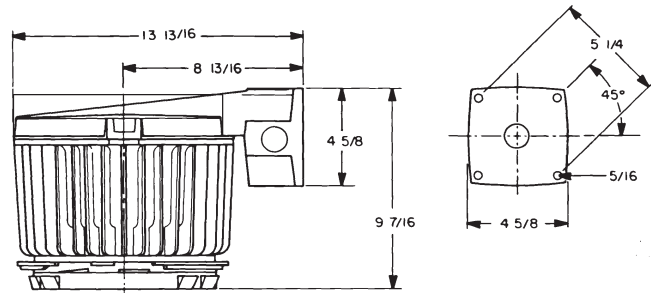
Pendant mount



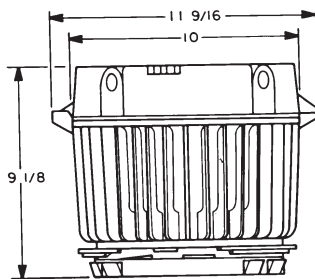
Quad mount



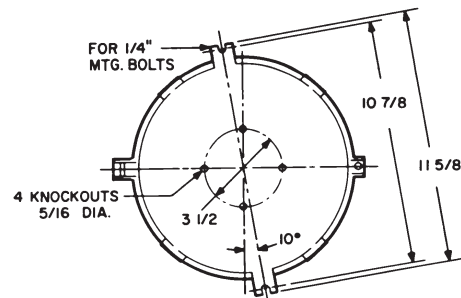
Stanchion mount 25° angle



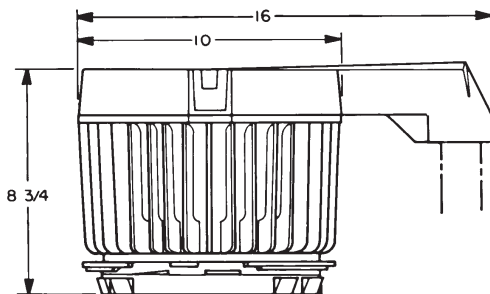
Wall mount



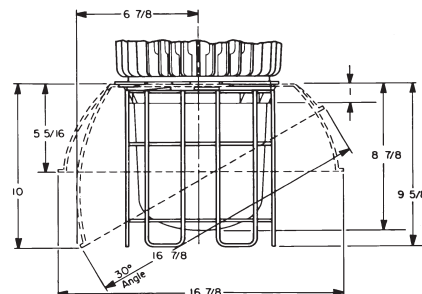
Ceiling mount



Ceiling mount - top view



Stanchion mount straight



Luminaire with globe, guard, reflectors

5L