

Champ-Pak CPMVF compact fluorescent luminaires

Cl. I, Div. 2, Groups A, B, C, D
 Restricted Breathing Cl. I,
 Div. 2 & Zone 2 (with suffix
 S826)
 Certified for IEC Zone 2 (with
 suffix S826TB)

Cl. II, Groups E, F, G
 Cl. III & Simultaneous
 Presence
 Marine & Wet Locations
 3, 3R, 4, 4X; IP56

5L

Applications:

Champ-Pak™ CPMVF luminaires are used:

- For indoor and outdoor wall mounting or vertical surface mounting where minimal luminaire depth is required in:
 - Manufacturing plants and heavy industrial facilities
 - Industrial process facilities such as refineries, chemical, petrochemical, pharmaceutical and platforms
 - Waste or sewage treatment plants
 - Offshore, dockside and harbor installations
- For security and safety lighting in industrial facilities for lighting of loading docks, tunnels and stairways
- For marine, wet location, hose down and corrosive environments

Features:

- Unique compact, shallow profile design mounts virtually anywhere
- Side hinged cover with two screw closing for easy installation and maintenance
- Gray Corro-free epoxy powder coat two-piece housing provides superior corrosion resistance
- Unique stainless steel wire guard accessory attaches without any additional hardware for easy installation and maintenance
- Glass refractor provides uniform light distribution to eliminate glare
- Silicone gaskets make luminaire suitable for NEMA 4X, marine environments
- High power factor ballasts (+90%) are standard, which allow more luminaires per circuit

Certifications and compliances:

NEC/CEC:

- Class I, Division 2, Groups A, B, C, D
- Class II, Class III & Simultaneous Presence (Class I, Division 2 and Class II)
- Class I, Zone 2

IEC:

- Zone 2, Ex nR IIC

UL standards:

- UL844, UL2279 – Hazardous (Classified) Locations
- UL1598 – Luminaires
- UL1598A – Marine Locations

CSA standard:

- C22.2 No. 137

IEC standard:

- 60079-15



Options:

Description **Suffix**

- Restricted breathing construction **S826**
*Class I, Division 2 & Zone 2 suitability
 Cooler operating temperatures (T-codes)*
- Certified for IEC Zone 2..... **S826TB**
Furnished with terminal block and crimp terminals
- Factory assembled with lamps installed for additional labor savings..... **FA**
- Fused – protects ballast and capacitors against abnormal line conditions **S658**
*Not for use in Canada
 Not suitable for marine applications*

Accessories (ordered separately):

Description **Cat. #**

- Stainless steel wire guard **P55**

Photocells for field installation:

- 120V, 50/60 Hz **V2PC20**
- 208-240V, 50/60 Hz **V2PC22**
- 277V, 50/60 Hz **V2PC27**

Standard materials:

- Luminaire housing and door frame assembly – copper-free aluminum
- External hardware – stainless steel
- Lens – heat- and impact-resistant refractor style glass
- Gaskets – silicone rubber
- Reflector – aluminum light sheet
- Wire guard – stainless steel

Standard finishes:

- Aluminum – Corro-free epoxy powder coat
- Stainless steel – natural

Energy savings:

- Less wattage used with compact fluorescent lamps compared to equivalent incandescent lamps providing the same light output

Electrical ratings:

- Wattages: two 26, 32 or 42W lamps
- 120-277V, 50-60 Hz
- 347V, 60 Hz

Photometrics:

- Complete photometrics can be found at www.crouse-hinds.com/photometrics

Champ-Pak CPMVF compact fluorescent luminaires

Cl. I, Div. 2, Groups A, B, C, D
Restricted Breathing Cl. I,
Div. 2 & Zone 2 (with suffix
S826)
Certified for IEC Zone 2 (with
suffix S826TB)

Cl. II, Groups E, F, G
Cl. III & Simultaneous
Presence
Marine & Wet Locations
3, 3R, 4, 4X; IP56

5L

Ordering information:

Hub size	Watts	Cat. #
3/4"	52	CPMVF2W052
3/4"	64	CPMVF2W064
3/4"	84	CPMVF2W084

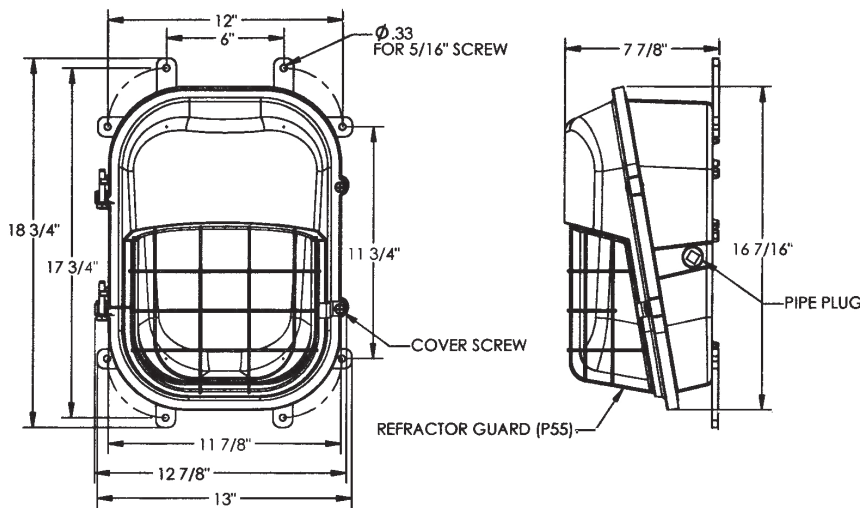
Standard voltage ballasts

	NEC/UL and CEC/CSA (cUL)	CEC/CSA (cUL)
Voltage	120-277V, 50/60 Hz	347V, 60 Hz
Suffix	/UNV	/347

Temperature performance data:

Consult Eaton's Crouse-Hinds Division

Dimensions (in inches):



Net luminaire weights:

Description	Weight (lbs.)
CPMVF less guard	17.00
P55 guard	0.50