

Ex-Floodlight PXLED

Complete series of LED floodlights replacing 100 up to 600 W conventional light sources (Zone 1, 2, 21, 22)

4

Lighting under harsh conditions

The new modular LED floodlight series PXLED is suited for nearly every kind of lighting task in hazardous areas, including applications in on- and offshore, heavy industrial, chemical, petrochemical, oil and gas, pharmaceuticals, shipyards, dockyards, power generation, paper mills and wastewater treatment indoor and outdoor with potentially explosive areas under harsh conditions like vibrations, dust, moisture or corrosive atmospheres and extreme temperatures. The PXLED comes with a standard U-shaped mounting bracket for ceiling and wall mounting.

Replacement of conventional light fittings up to 600 W

With a luminous flux from 5,000 lm up to 32,000 lm this floodlight series can be used to replace nearly every floodlight with conventional light sources with an equivalent power consumption from 70 W up to 600 W.

High efficient LED technology

High efficient power LED module with 110 Lumen/Watt enables up to 70 % energy-cost savings compared to conventional HID lamp.

Safety first

All PXLED multi-module floodlights from size 10L to 30L are equipped with a multichannel LED driver. This driver provides for each LED-module a separate power channel circuit. Even if one circuit fails, all other LED-modules are still working.

Modular design - just use the size you need

Thanks to the modular design of the PXLED series you can exactly choose the lumen output you need. There is no need to over/underdesign your lighting project. Six sizes are available from nominal 5.000 lm to more than 30.000 lm with a step-wide of 5000 lm.

Easy to install

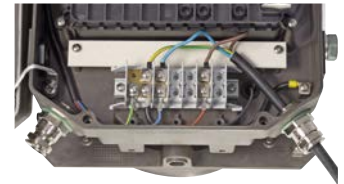
A stainless steel swivel bracket with adjustable setting angle allows an easy alignment of the floodlight. A fixing screw



secures the alignment. The swivel bracket provides up to five Ø13 mm fixing holes for a safe assembly.

Together with two cable gland a large terminal compartment in Ex-e design allows cost saving through-wiring without additional terminal boxes.

The used Ex-e terminals can clamp up to 6 mm² wiring.



Internal and external PE-terminals allows nearly all cabling technique.



5 YEAR WARRANTY

Features

- High efficiency: up to 110 lm/W
- Operating temperature -50 °C up to +55 °C
- Suitable for Explosion Group IIC / IIIC environments
- Broad range of light output from 5,000 lm up to 32,000 lm
- Wide and narrow beam pattern (asymmetric beam on request)
- Long lifetime
- Ex-e compartment for driver & terminal for easy installation and maintenance

Designed for long lifetime

High ambient temperatures can drive the LED chip-temperature into a not permissible range. This would reduce the life-span of the LEDs tremendously. Eaton provides an enclosure design with large cooling pipes and a innovated heat reduction design.



Tests, done under the worst conditions have shown, that the LED-chip temperature is always below critical values. The designed life span for the LED (L80) is more than 60,000 h even at +55°C ambient temperature

The Eaton LED driver is especially designed for the harsh conditions of hazardous environments. According to EN 61000-4-5 an electronic device must withstand a surge pulse of 1 kV between L - N, our LED driver is designed to withstand 4 kV between L - N and L, N - PE.



All electronic components with self-heating are over dimensioned to ensure a maximum maintenance-free period. The driver has an own Ex-certification "q" and is mounted within the Ex-e compartment.

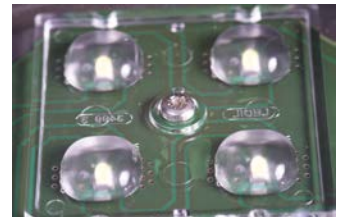
In the very unlikely event of a driver failure this unit can be exchanged separately from the floodlight.

Light distribution for various applications

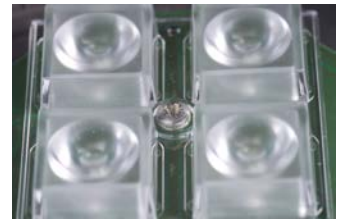
Beside the various lumen output packages, different light distributions can be realised with the PXLED-series.

A wide beam pattern as well as a narrow beam pattern is realized by the use of special designed lens caps for the LEDs. In addition, asymmetric light distributions are also available for special applications.

With a light transmission factor of more that 90 % we are able to offer a system efficiency of more than 110 lm/W.



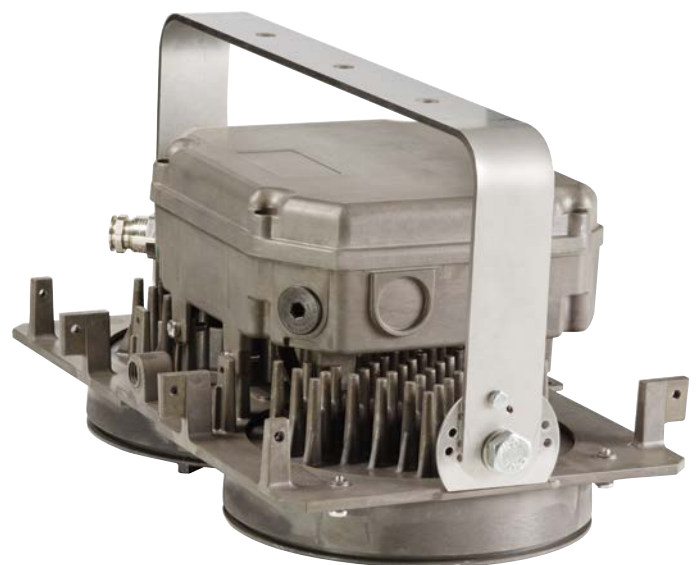
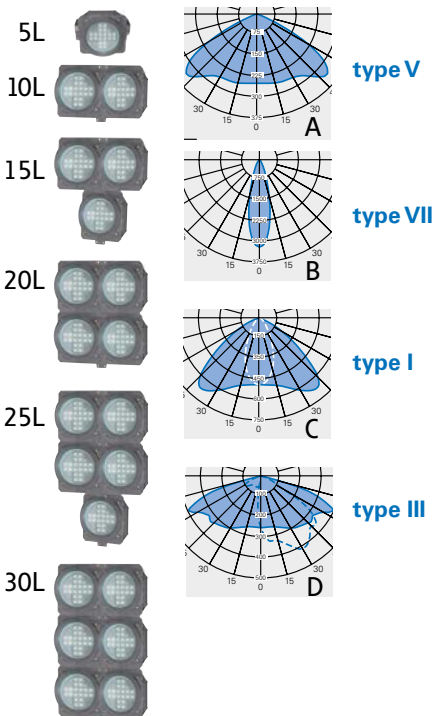
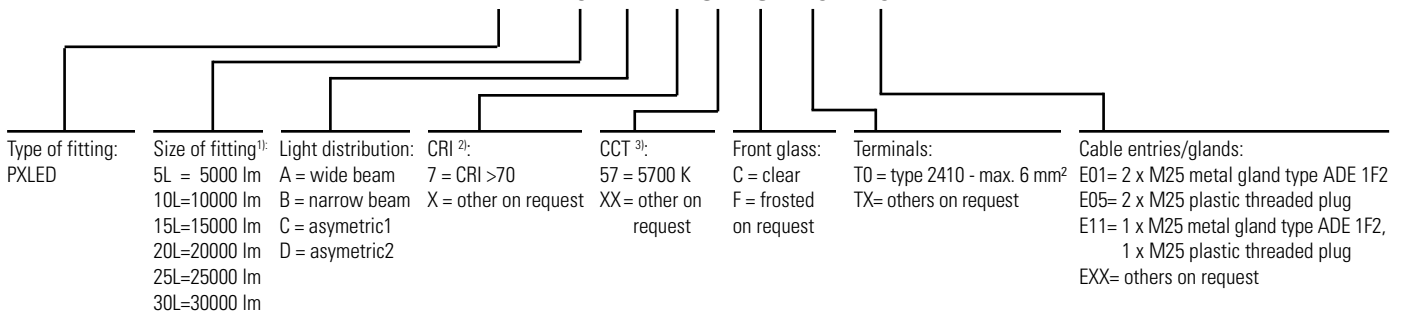
wide beam lens caps



narrow beam lens caps

Type key for PXLED floodlight series

PXLED 10L A 7 57 C T0 E01



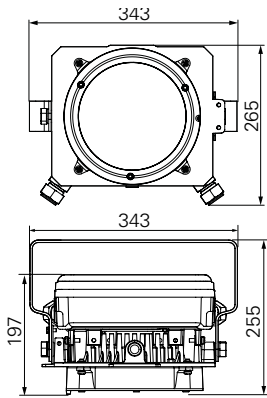
1) the lumen value is a design value and will not show the actual lumen output
2) CRI = Colour Rendering Index
3) CCT= Correlated Colour Temperature

Ordering details PXLED

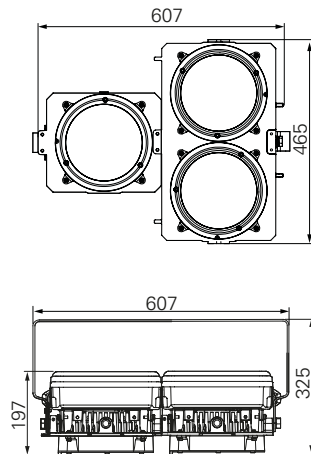
Type	Lamp / illuminant	Light distribution *)	Description / Power	Cable glands	Order No..
	PXLED 5L B 757 C E01	LED system 5.386 lm	narrow beam LED floodlight with swivel bracket 49 W	2 x M25 metal cable gland ADE 1F2 for Ø 10 - 17 mm	1 3042 110 001
	PXLED 5L B 757 C E05			2 x M25 plastic threaded plug	1 3042 110 005
	PXLED 5L A 757 C E01	LED system 5.207 lm	wide beam LED floodlight with swivel bracket 49 W	2 x M25 metal cable gland ADE 1F2 for Ø 10 - 17 mm	1 3042 111 001
	PXLED 5L A 757 C E05			2 x M25 plastic threaded plug	1 3042 111 005
	PXLED 10L B 757 C E01	2 LED systems 10.772 lm	narrow beam LED floodlight with swivel bracket 98 W	2 x M25 metal cable gland ADE 1F2 for Ø 10 - 17 mm	1 3042 210 001
	PXLED 10L B 757 C E05			2 x M25 plastic threaded plug	1 3042 210 005
	PXLED 10L A 757 C E01	2 LED systems 10.414 lm	wide beam LED floodlight with swivel bracket 98 W	2 x M25 metal cable gland ADE 1F2 for Ø 10 - 17 mm	1 3042 211 001
	PXLED 10L A 757 C E05			2 x M25 plastic threaded plug	1 3042 211 005
	PXLED 15L B 757 C E01	3 LED systems 16.158 lm	narrow beam LED floodlight with swivel bracket 147 W	2 x M25 metal cable gland ADE 1F2 for Ø 10 - 17 mm	1 3042 310 001
	PXLED 15L B 757 C E05			2 x M25 plastic threaded plug	1 3042 310 005
	PXLED 15L A 757 C E01	3 LED systems 15.621 lm	wide beam LED floodlight with swivel bracket 147 W	2 x M25 metal cable gland ADE 1F2 for Ø 10 - 17 mm	1 3042 311 001
	PXLED 15L A 757 C E05			2 x M25 plastic threaded plug	1 3042 311 005
	PXLED 20L B 757 C E01	4 LED systems 21.544 lm	narrow beam LED floodlight with swivel bracket 196 W	2 x M25 metal cable gland ADE 1F2 for Ø 10 - 17 mm	1 3042 410 001
	PXLED 20L B 757 C E05			2 x M25 plastic threaded plug	1 3042 410 005
	PXLED 20L A 757 C E01	4 LED systems 20.828 lm	wide beam LED floodlight with swivel bracket 196 W	2 x M25 metal cable gland ADE 1F2 for Ø 10 - 17 mm	1 3042 411 001
	PXLED 20L A 757 C E05			2 x M25 plastic threaded plug	1 3042 411 005
	PXLED 25L B 757 C E01	5 LED systems 26.930 lm	narrow beam LED floodlight with swivel bracket 245 W	2 x M25 metal cable gland ADE 1F2 for Ø 10 - 17 mm	1 3042 510 001
	PXLED 25L B 757 C E05			2 x M25 plastic threaded plug	1 3042 510 005
	PXLED 25L A 757 C E01	5 LED systems 26.035 lm	wide beam LED floodlight with swivel bracket 245 W	2 x M25 metal cable gland ADE 1F2 for Ø 10 - 17 mm	1 3042 511 001
	PXLED 25L A 757 C E05			2 x M25 plastic threaded plug	1 3042 511 005
	PXLED 30L B 757 C E01	6 LED systems 32316 lm	narrow beam LED floodlight with swivel bracket 294 W	2 x M25 metal cable gland ADE 1F2 for Ø 10 - 17 mm	1 3042 610 001
	PXLED 30L B 757 C E05			2 x M25 plastic threaded plug	1 3042 610 005
	PXLED 30L A 757 C E01	6 LED systems 31242 lm	wide beam LED floodlight with swivel bracket 294 W	2 x M25 metal cable gland ADE 1F2 for Ø 10 - 17 mm	1 3042 611 001
	PXLED 30L A 757 C E05			2 x M25 plastic threaded plug	1 3042 611 005

*) Asymmetric light distribution on request

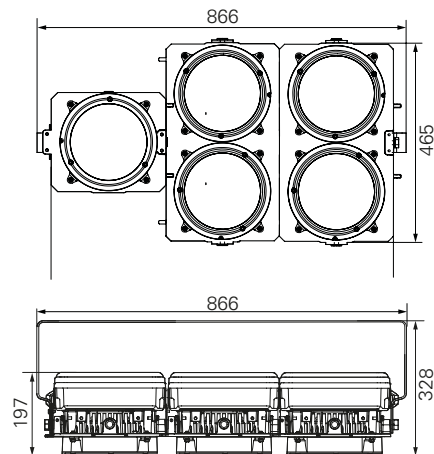
PXLED 5L



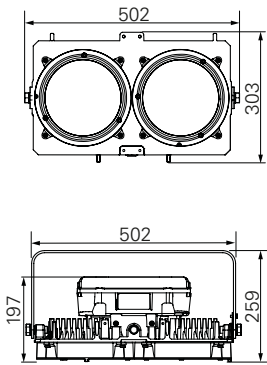
PXLED 15L



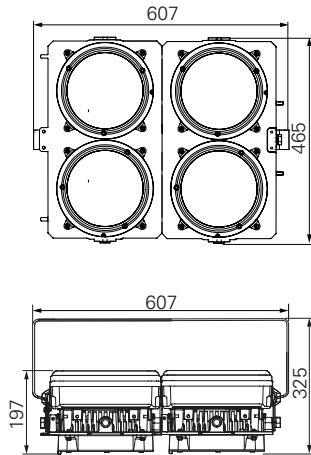
PXLED 25L



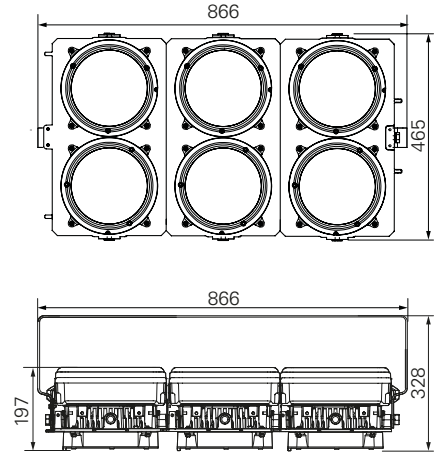
PXLED 10L



PXLED 20L

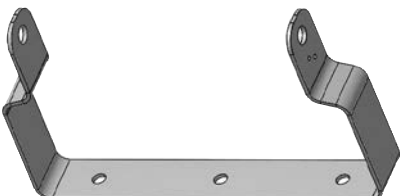
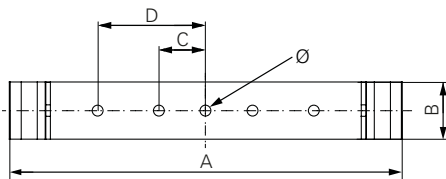


PXLED 30L



Dimensions in mm

Swivel bracket



Swivel bracket for PXLED - Dimensions

Dimensions in mm	A	B	C	D	Ø
PXLED 05	343	50	120	-	13
PXLED 10	476	50	120	-	13
PXLED 15	606	50	120	-	13
PXLED 20	606	50	120	-	13
PXLED 25	858	50	120	270	13
PXLED 30	858	50	120	270	13

4.5

Technical data, Polar curve,

PXLED for Ex-Zone 1, 2, 21 and 22

Technical data

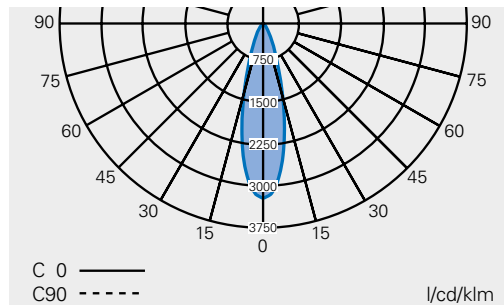
	PXLED 5L	PXLED 10L	PXLED 15L	PXLED 20L	PXLED 25L	PXLED 30L
Type Examination Certificate	BVS 17 ATEX E 013 X					
IECEX Certificate of conformity	IECEX BVS 17.0004 X					
Marking accd. 2014/34/EU	Ⓜ II 2 G Ex db eb op is q IIC T4 Gb/ Ⓜ II 2 D Ex tb op is IIIC T100°C Db					
Marking accd. to IECEx	Ex db eb op is q IIC T4 Gb/ Ex tb op is IIIC T100°C Db					
Certification accd. to TR CU 012/2011 EAC ¹⁾	RU C-DE.AA87.B.00594					
Permissible ambient temperature	-50 °C up to +55 °C					
LED lifetime L80	>200,000 h @ 25 °C / 60,000 h @ +55 °C					
Driver lifetime C10	>100,000 h @ 25 °C / 60,000 h @ +55 °C					
Rated voltage	110 - 277 V AC / 127 - 270 V DC					
Rated current ²⁾	0.24 A	0.48 A	0.72 A	0.96 A	1.20 A	1.44 A
Frequency	0/50 - 60 Hz					
Power factor cos φ ¹⁾	≥ 0.95					
Circuit	Electronic driver					
Protection class	I					
Light distribution	Wide beam and narrow beam (asymmetric beam on request)					
Light colour / CRI	5700 K / R _a >70 (other colours on request)					
Enclosure colour	Dark grey					
Connecting terminals	6 poles standard (L, L1, L2, L3, N, PE / up to 6 mm ² / others on request)					
Enclosure material	Anodized copper-free Aluminium					
Weight	9.9 kg	14.4 kg	24.3 kg	28.7 kg	38.5 kg	41.1 kg
Cable glands / gland plates / enclosure drilling	2 x M25 (Ex-e) metal thread nickel plated (E01) or 2 x M25 (Ex-e) threaded plug (E05) (others on request)					
Degree of protection accd. to EN 60529	IP66/67 (coming soon)					
Protective cover / protective bowl	Toughened glass, clear (frosted on request)					
Swivel bracket	AiSi 316L stainless steel					

¹⁾ Please ask our sales service for the special Order No.

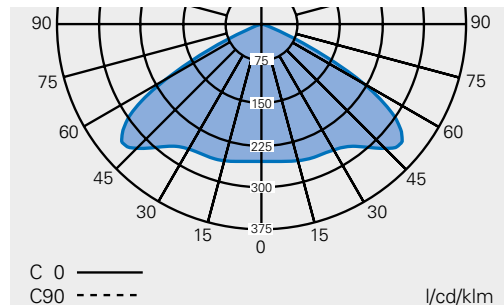
²⁾ Typical value at 230 V

Polar curve

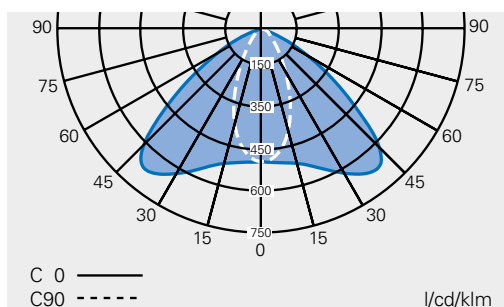
Polar curve PXLED 5L - 30L, narrow beam - type VII



Polar curve PXLED 5L - 30L, wide beam - type V



Polar curve PXLED 5L - 30L, asymmetric - type I



Polar curve PXLED 5L - 30L, asymmetric - type III

