

# 4.9

## Ex-LED-Floodlight LPL LED

(Zone 1, 2, 21, 22)

4

### The powerful LED floodlight for harsh operating conditions

Due to the particularly robust and solid design of the enclosure in combination with the vibration resistance of the LED module, the LPL LED floodlight is insensitive to impact, shocks, and vibrations. As a result, the LPL LED represents the ideal lighting concept for use in areas with difficult environmental conditions. Thanks to the LED technology, extreme temperatures from -36 °C up to +55 °C are not a problem. The rugged, flameproof light metal enclosure in the degree of protection IP 66 and the impact-resistant light output meets the highest corrosion protection and mechanical resistance requirements.

### An efficient lighting technology

The LPL LED lighting series offers the latest lighting technology with a high luminous flux and, at the same time, an extremely low energy requirement. The LED modules provide a long service life combined with a high level of efficiency. With a power consumption of 53 W to 105 W, the LPL LED lighting series is ideal for replacing 70 W to 250 W light fittings with high pressure discharge lamps, whereby, the low energy consumption and the long service life (> 50,000 h) of the LED module keep operating costs pleasantly low.



### Multiple applications

The LPL LED lighting series is suitable for medium and high suspension heights. It is the ideal solution for the illumination of open spaces, indoor areas and roads in industrial installations. Further applications include on- and offshore plants in the oil and gas industry, chemical plants, waste disposal

facilities, shipyards, power stations and mills where extreme amounts of dirt and moisture and increased mechanical hazard are to be expected. A U-shaped mounting bracket for wall and ceiling installation of the LPL LED is included.



### Features

- High-power LED modules with up to 63% energy saving
- Flameproof enclosure for Zones 1, 2, 21 and 22 and temperature class T6
- Wide temperature range from -36 °C to +55 °C
- CU-Certificate for Eurasian Economic Community available
- High degree of protection IP 66 for harsh environments
- Large Ex-e terminal compartment for ease of installation

## Ordering details

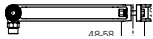
Type	Content	Lamp / illuminant	rated luminous flux of the luminaire <sup>1)</sup>	Weight	Metal thread	Screw plug	Order No.
<b>LPL LED</b>							
LPL06-C57-5L	with mounting bracket	High power LED-module 53 W (scope of delivery)	5127 lm	17 kg	2 x M25	2 x M25	<b>CCL 121 4001 AE</b>
LPL06-C57-7L	with mounting bracket	High power LED-module 70 W (scope of delivery)	6998 lm	17 kg	2 x M25	2 x M25	<b>CCL 121 4003 AE</b>
LPL06-C57-9L	with mounting bracket	High power LED-module 87 W (scope of delivery)	8645 lm	17 kg	2 x M25	2 x M25	<b>CCL 121 4004 AE</b>
LPL06-C57-10L	with mounting bracket	High power LED-module 105 W (scope of delivery)	10272 lm	17 kg	2 x M25	2 x M25	<b>CCL 121 4005 AE</b>



4

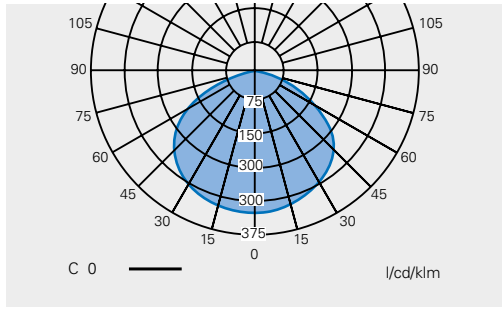
## Accessories

Type	Content	OU	Order No.
PMB	Pole mounting bracket with fixing screws for use with mounting bracket	1	<b>NOR 000 005 110 836</b>

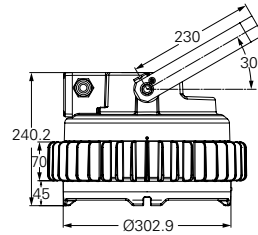


Scope of delivery without fixing accessories, if not stated otherwise.  
Metal cable glands see catalogue part 2: 2.3.12 f

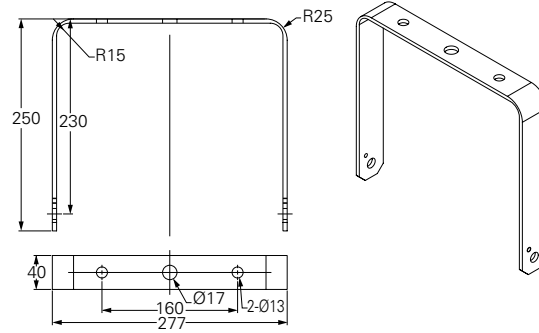
**Polar curve LPL06 LED**



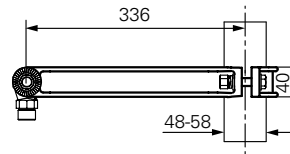
**LPL 06 LED**



**Mounting bracket**



**Pole mounting bracket**





Technical data

4

**LPL06 LED**

EC-Type Examination Certificate	ITS 14 ATEX 18105X
IECEX Certificate of Conformity	IECEX UL 15.0077X
Marking accd. to 2014/34/EU	⊕ II 2 G Ex d e IIC T5/T6 Gb ⊕ II 2 D Ex tb IIIC T80°C/T95 °C Db IP66
Marking accd. IECEX	Ex d e IIC T5/T6 Gb Ex tb IIIC T80°C/T95 °C Db IP66
Permissible ambient temperature	-36 °C up to +55 °C / -36 °C up to +50 °C (LPL06-C57-10L)
Rated voltage	100 V - 277 V AC
Frequency	50 - 60 Hz
Fixture lifetime	50.000 h at $t_a = + 55 °C$ / 120.000 h at +25 °C
Power consumption	max. 105 W (see table luminaire data)
Power factor cos $\phi$	$\geq 0.9$
Circuit	Electronic driver
Protection class	I
Lamp name	High power LED-module <sup>1)</sup>
Light colour	5700 K cool white (CRI 70) / 3000 K (CRI 80) on request
Dimensions (L x W x H)	Ø 350 x 240 mm
Connecting terminals	3 x 0.5 mm <sup>2</sup> up to 4.0 mm <sup>2</sup> , max 6.0 mm <sup>2</sup> single wire
Enclosure colour	Grey
Enclosure material	Copper free aluminium
Weight	17 kg
Cable glands / gland plates / enclosure drilling	2 x M25 x 1.5 thread, 1 x with Ex-e screw plug <sup>2)</sup>
Type of mounting	Ceiling-/wall mounting
Degree of protection accd. to EN 60529	IP66
Protective cover / protective bowl	Toughened glass

<sup>1)</sup> Scope of delivery

<sup>2)</sup> M20 on request

Additional luminaire data

Type	Rated luminous flux of the luminaire (± 10 %)	Rated power	Permissible ambient temperature	Temperature Class T <sub>a</sub> Gas	Temperature Class T °C Dust
<b>LPL06 LED</b>					
LPL06-C57-5L	5127 lm	53 W	-36 °C up to + 55 °C	T6	T 80 °C
LPL06-C57-7L	6998 lm	70 W	-36 °C up to + 55 °C	T6	T 80 °C
LPL06-C57-9L	8645 lm	87 W	-36 °C up to + 55 °C	T6	T 80 °C
LPL06-C57-10L	10272 lm	105 W	-36 °C up to + 50 °C	T5	T 95 °C