

Pauluhn Apex linear fluorescent luminaires

High bay luminaires for hazardous industrial locations

Cl. I, Div. 2, Groups A, B, C, D
Cl. II, Div. 1, Groups F, G
Cl. III
Type 4, 4X; IP66

5L

Applications:

- Locations requiring continuous and consistent light levels
- Food and beverage processing and storage
- Power generation facilities
- Water/wastewater treatment facilities
- Pharmaceutical facilities

Features:

- High lumen output: up to 30,000 lumens
- Complete portfolio of T5, T8 and T5HO fluorescent models
- Versatile mounting options
- NSF rated
- Operating ambient: -25°C to +55°C
- Optimized debris shedding design
- USDA compliant
- High pressure hose down rated

Certifications and compliances:

- Class I, Division 2, Groups A, B, C, D
- Class II, Division 1, Groups F, G
- Class III
- Type 4 (HBAB only); Type 4X (HBSB only)
- IP66
- UL844 – Hazardous Locations (CSA-US)
- UL924 – Emergency Lighting Equipment (CSA-US)
- UL1598 – Luminaires (CSA-US)
- CSA Class 3428 03
- CSA Class 3428 83
- NSF/ANSI 2-2010 Splash Zone

Standard materials:

- Housing – Type 5052 aluminum (HBAB only); Type 304 stainless steel (HBSB only)
- Lens – clear acrylic (standard); polycarbonate or glass (optional)

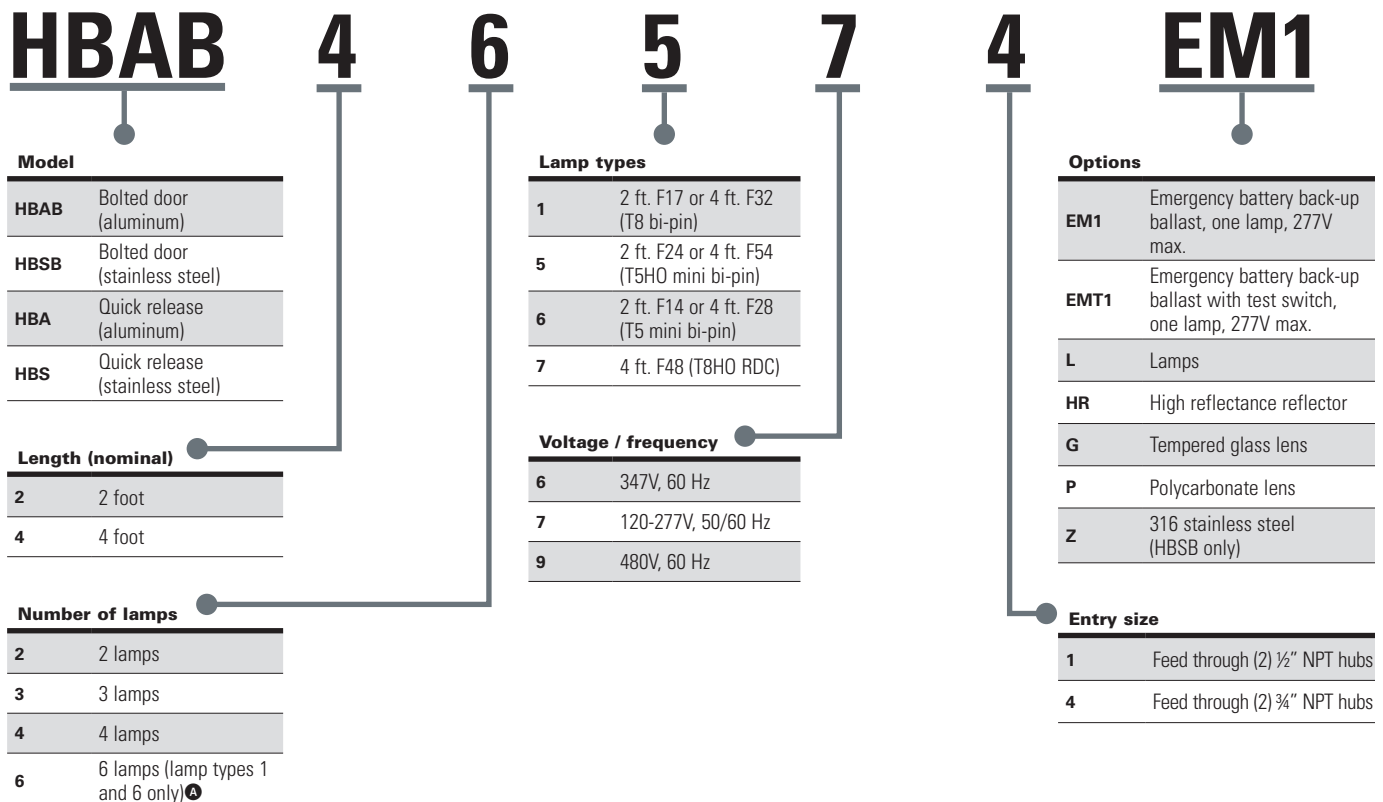


Photometrics:

- Complete photometrics can be found at www.crouse-hinds.com/photometrics

Ordering information:

Part number example
HBAB46574EM1



^AFor HBSB and HBS only.

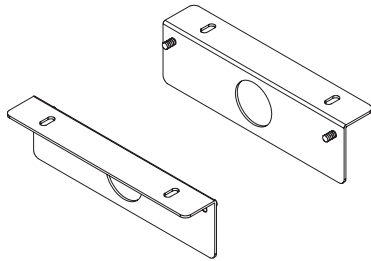
Pauluhn Apex linear fluorescent luminaires

High bay luminaires for hazardous industrial locations

Cl. I, Div. 2, Groups A, B, C, D
Cl. II, Div. 1, Groups F, G
Cl. III
Type 4, 4X; IP66

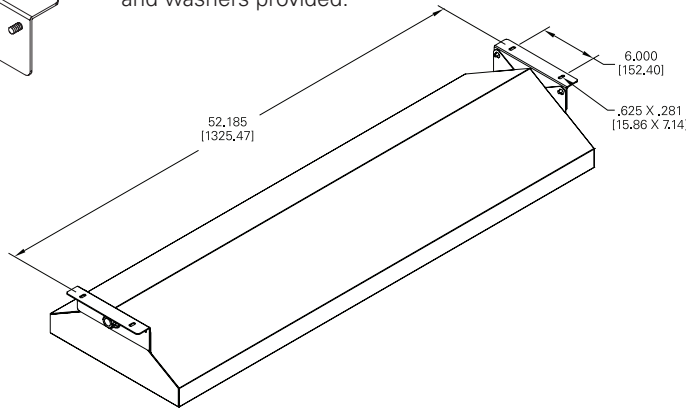
5L

Mounting options:

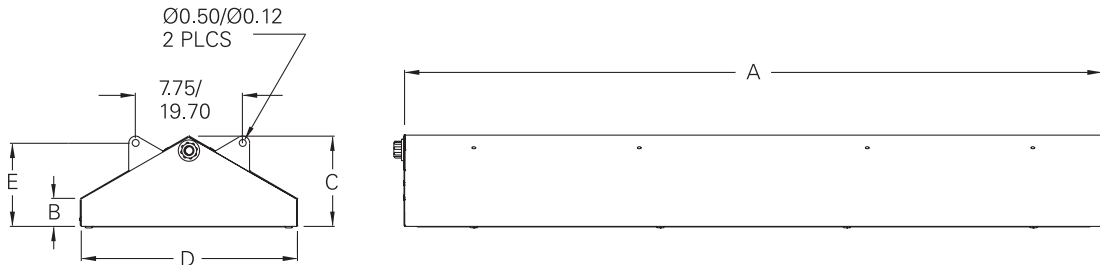


FX7091

Ceiling mount brackets
Attach to the suspension ears of the fixture, with the nuts and washers provided.



Dimensions:



Dimensions in inches / centimeters

Nominal weight[Ⓟ]

Nominal length	Dimensions in inches / centimeters					Carton L x W x D (in.)	Nominal weight [Ⓟ]	
	A	B	C	D	E		HBAB series lbs. (kg.)	HBSB series lbs. (kg.)
2 foot	26.59 (67.50)	2.00 (5.10)	6.53 (16.60)	15.72 (39.93)	6.00 (15.20)	28 ³ / ₄ x 16 ⁵ / ₈ x 7 ¹ / ₈	19.0 (8.6)	26.0 (11.8)
4 foot	50.59 (128.50)	2.00 (5.10)	6.53 (16.60)	15.72 (39.93)	6.00 (15.20)	53 x 16 ⁵ / ₈ x 7 ¹ / ₈	32.0 (14.5)	46.0 (20.8)

Temperature performance data:

T-code T3C: 55°C maximum ambient; 480 VAC maximum, 50/60 Hz

Lamp type	No. of lamps	Ambient temperature		
		40°C	50°C	55°C
T5	1-6	T3C	T3C	T3C
T5HO	1-6	T3C	T3C	T3C
T8	1-4	T5	T5	T5
T8	5-6	T3C	T3C	T3C
T8HO	1-4	T5	T5	T5

[Ⓟ]Add 1.00 lb. for 3 or 4 lamps. Add 2.00 lbs. for 6 lamps.