

Pauluhn AllPro industrial linear fluorescent luminaires

Type 4 (ARA models)
Type 4X (ARS models)
IP66

5L

Applications:

- Marine and watertight requirements
- Dusttight requirements
- Wastewater treatment plants
- Pulp and paper production^A
- Salt and potash mines^A
- Industrial wash pits
- Corrosive environments^A
- Pharmaceutical and additives formulation and processing

Features:

- Fluorescent system provides energy savings up to 50% when compared to HID
- Multi-voltage electronic ballast resistant to brownouts or voltage and frequency fluctuations
- Optional 100,000 hour long life lamps reduce relamp costs by as much as 70%^A
- Flat or drop style lens versions with wide beam lumen dispersions of 140 to over 180°
- Lens frame hinged on side for easy lamp replacement
- Adjustable mounting brackets allow 110° range of mounting positions
- Shoc-Loc bi-pin spring loaded lamp holders for T5, T8 and T12 lamp types provide superior resistance to shock and vibration
- Field replaceable lens frame and latches
- Standard wall/ceiling mount style can be rotated on longitudinal axis for optimum light positioning
- Neoprene gasket resists petroleum
- Optional, self-contained emergency battery back-up ballasts
- Optional long life T5 lamps available upon request (contact factory)

Certifications and compliances:

- UL924 – Emergency Lighting Equipment
- UL1598 – Luminaires
- EN 60529 – Ingress Protection (ARA only)
- CSA C22.2 250 04
- CSA C22.2 141
- Type 4 (ARA only); Type 4X (ARS only)
- IP66
- ABS

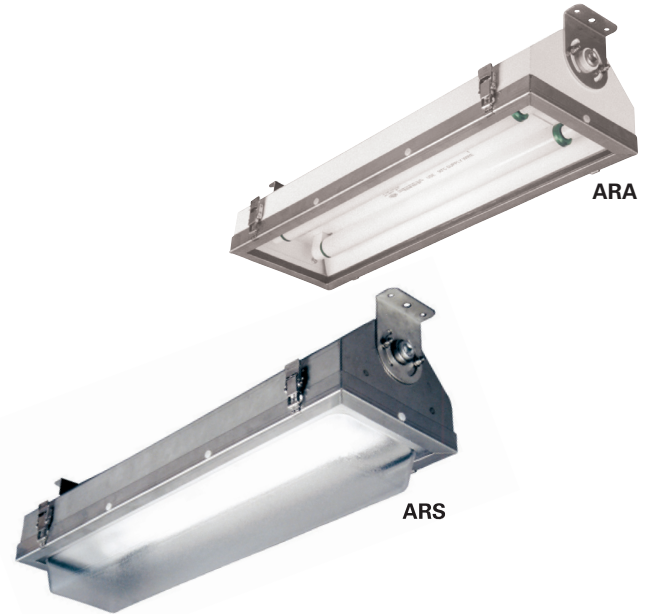
Standard materials and finishes:

- Housing – Type 5052H32 aluminum (ARA only); Type 304 stainless steel (ARS only)
- Lens – polycarbonate (standard); tempered glass (optional); DR acrylic drop lens (optional)
- Reflector – Type 5052H32 aluminum with an electrostatically applied white polyester powder coat finish; minimum 90% reflectance
- Gasket – one-piece neoprene
- Latches – stainless steel
- Lens frame – Type 304 stainless steel

^AApplicable for stainless steel models only.

^BApplicable for aluminum models only.

^CContact factory for optional higher ambient models.



Technical specifications:

- Entries – 3/4" NPT through feed outlets, one plugged
- Lamp holder – spring loaded on one end for linear lamp types
- Latches – positive locking, spring loaded
- Ballast – 120-277V, 50/60 Hz electronic; 347V and 480V (optional)

Watts	Ballast / socket type	ANSI lamp code	Starting temperature	Max. ambient °C ^C	Supply wire °C
17	T8 bi-pin G13	F17-T8	0°F (-18°C)	55	90
32	T8 bi-pin G13	F32-T8	-20°F (-29°C)	55	90
40	4-pin 2G11	FT40-CF	0°F (-18°C)	55 (40 for ARS)	90
24/54	T5HO mini bi-pin G5	F24/F54-T5HO	-20°F (-29°C)	55	90
14/28	T5 mini bi-pin G5	F14/F28-T5	0°F (-18°C)	55	90
44	T8HO RDC R17d	F48-T8HO	-20°F (-29°C)	40	90
35/60	T12HO RDC R17d	F24/F48-T12HO	-20°F (-29°C)	40	90
80 ^B	4-pin 2G11	FT80-CF	0°F (-18°C)	40	90

- Emergency battery back-up ballast – optional, self-contained 90 minute minimum for all lamp types; 120 minute minimum for F32T8 one lamp; starting temperature 32°F/0°C

Mounting option:

- Adjustable surface mount brackets

Photometrics:

- Complete photometrics can be found at www.crouse-hinds.com/photometrics

Ordering information:

Part number example
ARA42170**

ARA	4	2	1	7	0	**																																																																		
<p>Model</p> <table border="1"> <tr> <td>ARA^D</td> <td>Aluminum (flat lens)</td> </tr> <tr> <td>ARS^D</td> <td>Stainless steel (flat lens)</td> </tr> </table>	ARA^D	Aluminum (flat lens)	ARS^D	Stainless steel (flat lens)	<p>Length (nominal)</p> <table border="1"> <tr> <td>2</td> <td>2 foot</td> </tr> <tr> <td>4</td> <td>4 foot</td> </tr> </table>	2	2 foot	4	4 foot	<p>Number of lamps</p> <table border="1"> <tr> <td>1</td> <td>1 lamp</td> </tr> <tr> <td>2</td> <td>2 lamps</td> </tr> <tr> <td>3^E</td> <td>3 lamps (lamp types 1, 5, 6, 7, 8)</td> </tr> <tr> <td>4</td> <td>4 lamps, 4 ft., lamp type 2 only</td> </tr> </table>	1	1 lamp	2	2 lamps	3^E	3 lamps (lamp types 1, 5, 6, 7, 8)	4	4 lamps, 4 ft., lamp type 2 only	<p>Lamp types</p> <table border="1"> <tr> <td>1</td> <td>2 ft. F17 or 4 ft. F32 (T8 bi-pin)</td> </tr> <tr> <td>2</td> <td>2 ft. FT40 (CF 2G11)</td> </tr> <tr> <td>5</td> <td>2 ft. F24 or 4 ft. F54 (T5HO mini bi-pin)</td> </tr> <tr> <td>6</td> <td>2 ft. F14 or 4 ft. F28 (T5 mini bi-pin)</td> </tr> <tr> <td>7</td> <td>4 ft. F48 (T8HO RDC)</td> </tr> <tr> <td>8</td> <td>2 ft. F24 or 4 ft. F48 (T12HO RDC)</td> </tr> <tr> <td>9^F</td> <td>2 ft. FT80 (CF 2G11), 2 lamp maximum</td> </tr> </table>	1	2 ft. F17 or 4 ft. F32 (T8 bi-pin)	2	2 ft. FT40 (CF 2G11)	5	2 ft. F24 or 4 ft. F54 (T5HO mini bi-pin)	6	2 ft. F14 or 4 ft. F28 (T5 mini bi-pin)	7	4 ft. F48 (T8HO RDC)	8	2 ft. F24 or 4 ft. F48 (T12HO RDC)	9^F	2 ft. FT80 (CF 2G11), 2 lamp maximum	<p>Voltage / frequency</p> <table border="1"> <tr> <td>7</td> <td>120-277V, 50/60 Hz (not for lamp type 9)</td> </tr> <tr> <td>6</td> <td>347V, 60 Hz (contact factory)</td> </tr> <tr> <td>9</td> <td>480V, 60 Hz (contact factory)</td> </tr> </table>	7	120-277V, 50/60 Hz (not for lamp type 9)	6	347V, 60 Hz (contact factory)	9	480V, 60 Hz (contact factory)	<p>Options</p> <table border="1"> <tr> <td>EM2^G</td> <td>Emergency battery back-up ballast, one lamp, 277V max.</td> </tr> <tr> <td>EM3^G</td> <td>Emergency battery back-up ballast, high lumen, one lamp, 277V max.</td> </tr> <tr> <td>EMT2^G</td> <td>Emergency battery back-up ballast, one lamp, 277V max., test switch</td> </tr> <tr> <td>EMT3^G</td> <td>Emergency battery back-up ballast, high lumen, one lamp, 277V max., test switch</td> </tr> <tr> <td>L^H</td> <td>Lamps</td> </tr> <tr> <td>LL^H</td> <td>Long life lamps (F54T5HO only)</td> </tr> <tr> <td>P</td> <td>Polycarbonate lens (standard on flat lens style only)</td> </tr> <tr> <td>TG</td> <td>Tempered glass lens (flat lens style only)</td> </tr> <tr> <td>W</td> <td>Dual safety cable attachment points</td> </tr> <tr> <td>T</td> <td>Multi-point terminal block</td> </tr> <tr> <td>SM</td> <td>Shock mount</td> </tr> <tr> <td>Z^I</td> <td>Type 316 stainless steel housing, lens frame</td> </tr> </table>	EM2^G	Emergency battery back-up ballast, one lamp, 277V max.	EM3^G	Emergency battery back-up ballast, high lumen, one lamp, 277V max.	EMT2^G	Emergency battery back-up ballast, one lamp, 277V max., test switch	EMT3^G	Emergency battery back-up ballast, high lumen, one lamp, 277V max., test switch	L^H	Lamps	LL^H	Long life lamps (F54T5HO only)	P	Polycarbonate lens (standard on flat lens style only)	TG	Tempered glass lens (flat lens style only)	W	Dual safety cable attachment points	T	Multi-point terminal block	SM	Shock mount	Z^I	Type 316 stainless steel housing, lens frame	<p>Mounting style</p> <table border="1"> <tr> <td>0</td> <td>End mount: standard wall/ceiling mount kit</td> </tr> <tr> <td>1</td> <td>End mount: surface wall/ceiling mount kit</td> </tr> <tr> <td>2</td> <td>Pendant mount: via 3/4" NPT hubs</td> </tr> </table>	0	End mount: standard wall/ceiling mount kit	1	End mount: surface wall/ceiling mount kit	2	Pendant mount: via 3/4" NPT hubs
ARA^D	Aluminum (flat lens)																																																																							
ARS^D	Stainless steel (flat lens)																																																																							
2	2 foot																																																																							
4	4 foot																																																																							
1	1 lamp																																																																							
2	2 lamps																																																																							
3^E	3 lamps (lamp types 1, 5, 6, 7, 8)																																																																							
4	4 lamps, 4 ft., lamp type 2 only																																																																							
1	2 ft. F17 or 4 ft. F32 (T8 bi-pin)																																																																							
2	2 ft. FT40 (CF 2G11)																																																																							
5	2 ft. F24 or 4 ft. F54 (T5HO mini bi-pin)																																																																							
6	2 ft. F14 or 4 ft. F28 (T5 mini bi-pin)																																																																							
7	4 ft. F48 (T8HO RDC)																																																																							
8	2 ft. F24 or 4 ft. F48 (T12HO RDC)																																																																							
9^F	2 ft. FT80 (CF 2G11), 2 lamp maximum																																																																							
7	120-277V, 50/60 Hz (not for lamp type 9)																																																																							
6	347V, 60 Hz (contact factory)																																																																							
9	480V, 60 Hz (contact factory)																																																																							
EM2^G	Emergency battery back-up ballast, one lamp, 277V max.																																																																							
EM3^G	Emergency battery back-up ballast, high lumen, one lamp, 277V max.																																																																							
EMT2^G	Emergency battery back-up ballast, one lamp, 277V max., test switch																																																																							
EMT3^G	Emergency battery back-up ballast, high lumen, one lamp, 277V max., test switch																																																																							
L^H	Lamps																																																																							
LL^H	Long life lamps (F54T5HO only)																																																																							
P	Polycarbonate lens (standard on flat lens style only)																																																																							
TG	Tempered glass lens (flat lens style only)																																																																							
W	Dual safety cable attachment points																																																																							
T	Multi-point terminal block																																																																							
SM	Shock mount																																																																							
Z^I	Type 316 stainless steel housing, lens frame																																																																							
0	End mount: standard wall/ceiling mount kit																																																																							
1	End mount: surface wall/ceiling mount kit																																																																							
2	Pendant mount: via 3/4" NPT hubs																																																																							

^DAdd 'D' to catalog number for drop lens.

^ELamp types 7 and 8 applicable to aluminum models only.

^FApplicable for aluminum models only.

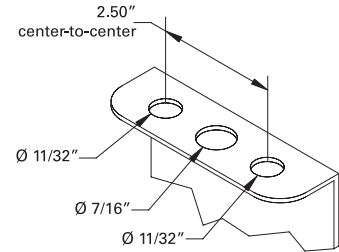
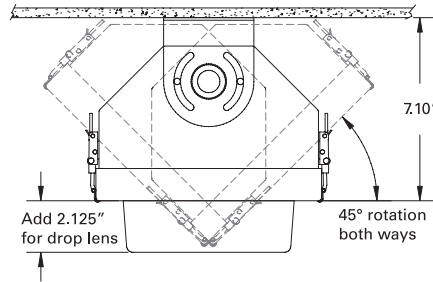
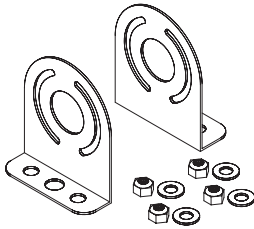
^GFor T5 and T5HO, EM ballast is fixed voltage, 120 or 277V, 50/60 Hz.

^HLamps are not included unless option 'L' or 'LL' is specified. Only available with ARS model.

^IApplicable for stainless steel models only.

Mounting options:

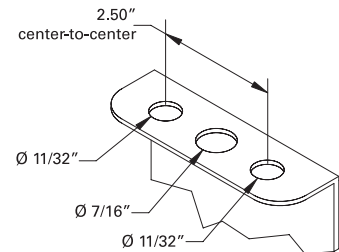
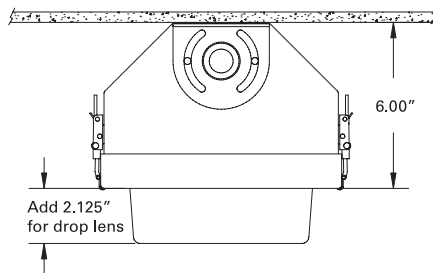
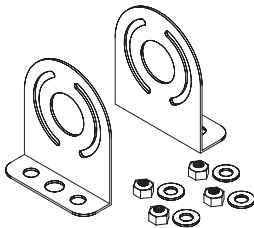
Standard wall/ceiling mounting kit



FX7027A (aluminum)/FX7027S (stainless steel)

- Standard wall/ceiling mounting kit includes:
- (2) aluminum brackets and mounting hardware
 - Adjustable swivel mount

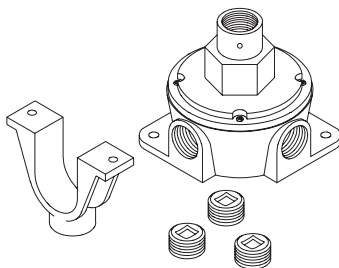
Surface wall/ceiling mounting kit



FX7022A (aluminum)/FX7022S (stainless steel)

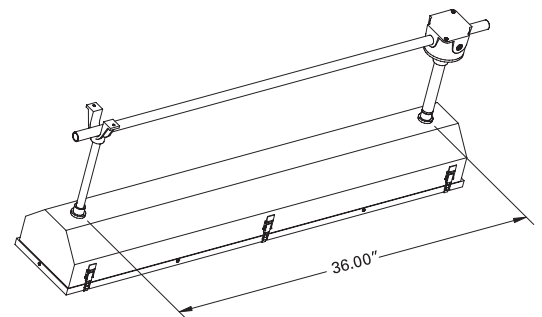
- Surface wall/ceiling mounting kit includes:
- (2) aluminum brackets and mounting hardware
 - Flush mount

Pendant mount kit



HP1095MTK

- Pendant mount kit includes:
- (1) saddle strap
 - (1) universal junction box and cover (3/4 inch NPT hubs)



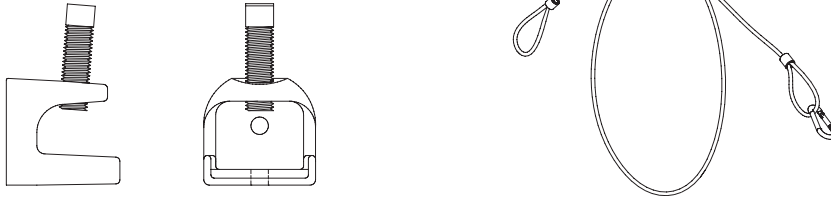
Mounting options (continued):

Beam clamp kit

FX7028

Beam clamp kit includes:

- (2) beam clamps
- (1) safety cable
- (1) cable gland



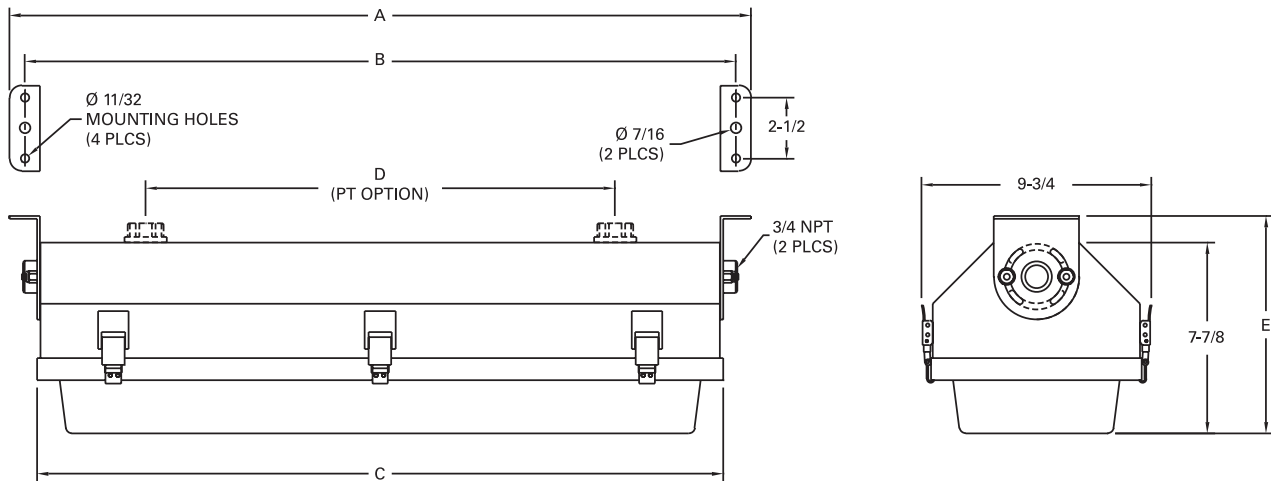
BC2K

(2) beam clamps
(for use with surface mount)

SC30H

48" stainless steel safety
cable with snap hook

Dimensions:



Dimensions in inches / centimeters

Carton W x D x L (in.)

Nominal weight

Nominal length	Dimensions in inches / centimeters						Carton W x D x L (in.)		Nominal weight	
	A	B	C	D	E1	E2	E1	E2	ARA series lbs. (kg.)	ARS series lbs. (kg.)
2 foot	31.50 (80.01)	30.25 (76.84)	29.25 (74.30)	25.88 (65.72)	9.00 (22.86)	6.00 (15.24)	10 x 6 x 31.75	10 x 8 x 32	15.0 (6.8)	21.0 (9.5)
4 foot	55.50 (140.97)	54.25 (137.80)	53.25 (135.26)	36.00 (91.44)	9.00 (22.86)	6.00 (15.24)	10 x 6 x 56.63	10 x 8 x 56	23.0 (10.4)	34.0 (15.4)

Note: Dimension E1 is for drop style lens. Dimension E2 is for flat style lens. Add 1.00 lb. for 3- or 4-lamp.