

Applications:

- Marine and watertight requirements
- Dusttight requirements
- Wastewater treatment plants
- Pulp and paper production
- Corrosive environments
- Aluminum processing facilities^A
- Salt and potash mines^A
- Patrol boats^A
- Coast Guard rescue vessels^A

Features:

- 300-1500W quartz halogen
- Rugged yoke mount floodlight with thermal shock-resistant tempered glass lens
- High temperature silicone gasket provides a watertight seal
- Wide NEMA 6x6 beam spread
- Field replaceable lens and gasket
- Protective guard available

Certifications and compliances:

- UL1598A – Luminaires for Marine Vessels
- Conforms to IP66
- Marine Outside Type Saltwater
- ABS

Standard materials and finishes:

- Housing – copper-free aluminum with an electrostatically applied black polyester powder coat finish or Type 304 stainless steel (see listings)
- Lens – tempered glass
- Gasket – one-piece silicone
- Optional guard – Type 316 stainless steel
- Mounting brackets – Type 316 stainless steel
- Reflector – hammertone aluminum
- Hardware – four (4) stainless steel positive locking spring loaded latches



Technical specifications:

- Entries – one watertight cable gland and 6 feet of cable
- Wind rating – QA/QS 1603/1605: EPA – 0.90 at vertical; QA/QS 1610/1615: EPA – 1.54 at vertical
- Lamp type – T3 quartz halogen (300W, 500W lamps provided; 1000W, 1500W lamps not provided unless voltage is specified)
- Lamp holder – spring loaded
- Voltage – rated for 120V only (300W, 500W models); rated for 208V, 220V or 240V (1000W, 1500W models)

Mounting option:

- Trunnion mount

Photometrics:

- Complete photometrics can be found at www.crouse-hinds.com/photometrics

^AApplicable for stainless steel models only.

Pauluhn Achiever QA and QS marine floodlights

Conforms to IP66

6L

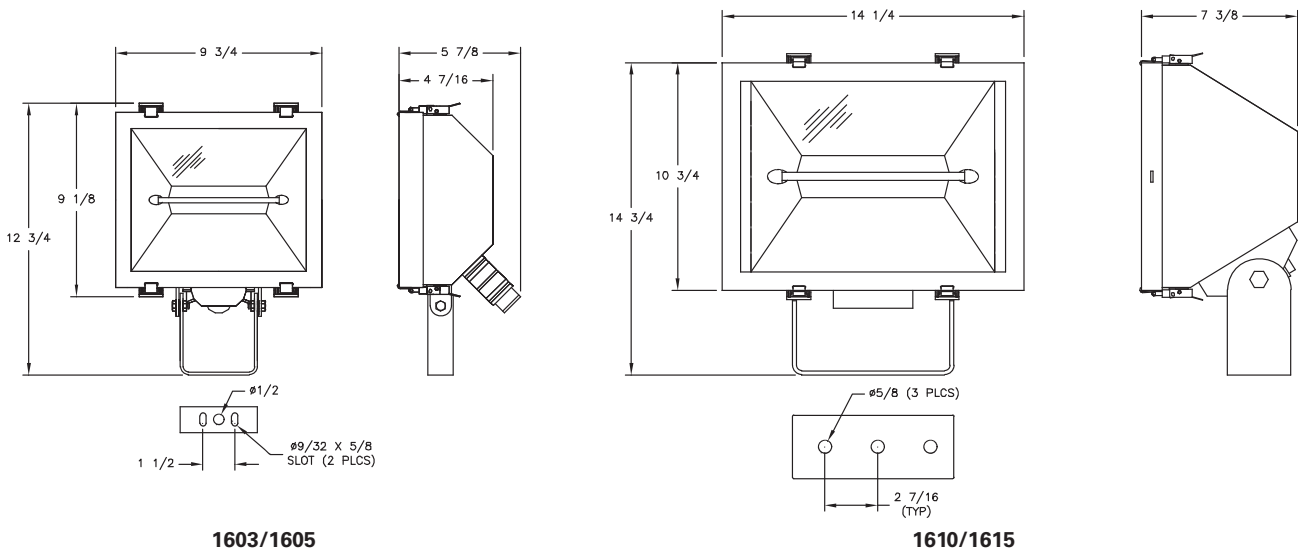
Options:

Description	Suffix
• Guard	GRD[ⓑ]
• Top/side visor	TV[ⓑ]
• 208V	208[Ⓒ]
<i>Available with 1500W model only</i>	
• 220V	220[Ⓒ]
• 240V	240[Ⓒ]

Ordering information:

Cat. #	Lamp type	Watts	Material	Weight (lbs.)	ANSI lamp type
QA1603	Quartz halogen	300	Aluminum	5.5	T-3 RSC
QA1605	Quartz halogen	500	Aluminum	5.5	T-3 RSC
QA1610 [Ⓓ]	Quartz halogen	1000	Aluminum	8.5	T-3 RSC
QA1615 [Ⓓ]	Quartz halogen	1500	Aluminum	8.5	T-3 RSC
QS1603	Quartz halogen	300	Stainless steel	10.0	T-3 RSC
QS1605	Quartz halogen	500	Stainless steel	10.0	T-3 RSC
QS1610 [Ⓓ]	Quartz halogen	1000	Stainless steel	18.0	T-3 RSC
QS1615 [Ⓓ]	Quartz halogen	1500	Stainless steel	18.0	T-3 RSC

Dimensions (in inches):



[ⓑ] Cannot be field installed; specify at order placement.
[Ⓒ] Not available with 300W or aluminum 500W models.
[Ⓓ] Lamps not provided unless operating voltage is specified when ordering.