

Applications:

- Marine and watertight requirements
- High vibration environments
- Dusttight requirements
- Military ships
- Patrol boats
- Coast Guard rescue vessels
- Life boat davits
- Surface mining^A

Features:

- Unique lamp suspension system design absorbs vibration to extend lamp life up to 50% longer than competitive brands
- High temperature silicone gasket provides a watertight seal
- Adjustable mounting allows 360° horizontal rotation, vertical positioning down 45° and up 90°; 60° up with handle option
- Medium flood with optional narrow or wide beam pattern (lamp included)
- Range of colored lenses available in red, blue, green and yellow
- Field replaceable lens and gasket
- Protective guard available

Certifications and compliances:

- UL1598A – Luminaires for Marine Vessels
- Type 4X
- Conforms to IP66
- Marine Outside Type Saltwater
- ABS

Standard materials and finishes:

- Housing – cast copper-free aluminum with an electrostatically applied white polyester powder coat finish or cast marine brass (see listings)
- Mounting base – cast copper-free aluminum with an electrostatically applied black polyester powder coat finish or cast marine brass (see listings)
- Lens – clear heat-resistant glass (standard); colored (red, blue, green, yellow) heat-resistant glass (optional)
- Hardware – stainless steel
- Gasket – one-piece silicone
- Optional guard – stainless steel
- Lamp holder – porcelain



Lamp suspension system

^AApplicable for aluminum models only.



Aluminum



Brass (shown with optional red lens)

Technical specifications:

- Entries – 1/2" NPT with cable gland and six feet of 16/3 cable (standard); 3/4" NPT (optional)
- Lamp type – 300 watt medium floodlight PAR56 or 500 watt quartz halogen (lamp provided); narrow spot or wide beam lamps (optional)
- Lamp holder – mogul end prong; low voltage lamps wired direct
- Voltage – rated for operation on 120V; 12V and 28V (optional)
- Terminal block – 2-pole

Mounting option:

- Surface mount

Photometrics:

- Complete photometrics can be found at www.crouse-hinds.com/photometrics

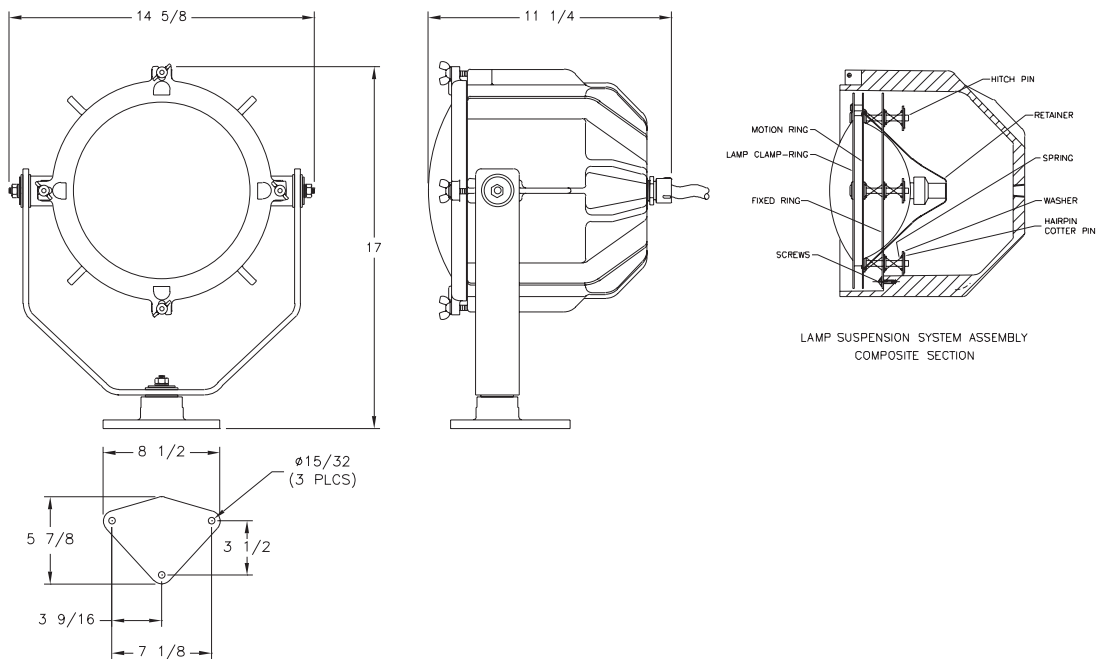
Options:

Description	Suffix
• Guard	GRD
• Narrow spot light type.....	NSP^B
• Wide floodlight type	WFL^B
• Handle and clamp	HDL
• 12V medium floodlight type (300W).....	12
• 28V medium floodlight type (450W).....	28^C
• Red colored lens.....	RED
• Blue colored lens	BLU
• Green colored lens	GRN
• Yellow colored lens	YEL

Ordering information:

Cat. #	Description	Material	Weight (lbs.)	ANSI lamp type
746AMR	300W incandescent	Aluminum	22.0	PAR56/MFL
746AQM	500W quartz halogen	Aluminum	22.0	PAR56Q/MFL
746BMR	300W incandescent	Brass	56.0	PAR56/MFL
746BQM	500W quartz halogen	Brass	56.0	PAR56Q/MFL

Dimensions (in inches):



^B For 120V only.
^C 10 hour lamp life.



Applications:

- Marine and watertight requirements
- High vibration environments
- Military ships
- Patrol boats
- Coast Guard rescue vessels
- Life boat davits
- Surface mining^A

Features:

- Floating lamp assembly absorbs vibration to extend lamp life
- High temperature silicone gasket provides a watertight seal
- Adjustable mounting allows 360° horizontal rotation, vertical positioning down 45° and up 90°; 60° up with handle option
- Medium flood with optional narrow, very narrow or wide beam pattern (lamp included)
- Range of colored lenses available in red, blue, green and yellow
- Field replaceable lens and gasket
- Protective guard available

Certifications and compliances:

- UL1598A – Luminaires for Marine Vessels
- Type 4
- Conforms to IP66
- Marine Outside Type Saltwater
- ABS

Standard materials and finishes:

- Housing – cast copper-free aluminum with an electrostatically applied white polyester powder coat finish or cast marine brass (see listings)
- Mounting base – cast copper-free aluminum with an electrostatically applied black polyester powder coat finish or cast marine brass (see listings)
- Lens – clear heat-resistant glass (standard); colored (red, blue, green, yellow) heat-resistant glass (optional)
- Hardware – stainless steel
- Gasket – one-piece silicone
- Optional guard – stainless steel
- Lamp holder – porcelain



Aluminum



Brass

Technical specifications:

- Entries – one sealed watertight cable gland and six feet of 16/3 cable
- Lamp type – 500 watt medium floodlight PAR64 or 1000 watt quartz halogen (lamp provided); narrow spot, very narrow spot or wide beam lamps (optional)
- Lamp holder – mogul end prong
- Voltage – rated for operation on 120V; contact factory for other voltage and frequency options

Mounting option:

- Surface mount

Photometrics:

- Complete photometrics can be found at www.crouse-hinds.com/photometrics

^AApplicable for aluminum models only.

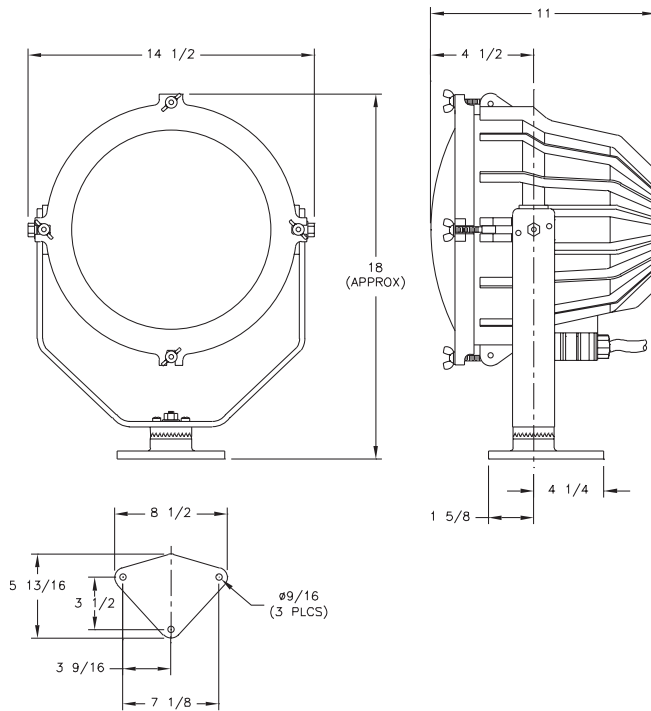
Options:

Description	Suffix
• Guard	GRD
• Narrow spot light type	NSP
• Very narrow spot light type	VNS
<i>Available with quartz halogen models only</i>	
• Wide floodlight type	WFL
• Handle and clamp	HDL
• Red colored lens	RED[®]
• Blue colored lens	BLU[®]
• Green colored lens	GRN[®]
• Yellow colored lens	YEL[®]

Ordering information:

Cat. #	Description	Material	Weight (lbs.)	ANSI lamp type
749A	500W incandescent	Aluminum	24.0	PAR64/MFL
749AQ	1000W quartz halogen	Aluminum	24.0	PAR64Q/MFL
749B	500W incandescent	Brass	60.0	PAR64/MFL
749BQ	1000W quartz halogen	Brass	60.0	PAR64Q/MFL

Dimensions (in inches):



[®] Not available with quartz halogen models.

Applications:

- Marine and watertight requirements
- Military ships
- Patrol boats
- Coast Guard rescue vessels
- Life boat davits

Features:

- High temperature silicone gasket provides a watertight seal
- Medium flood with optional narrow or wide beam pattern (lamp included)
- Adjustable mounting positions
- Range of colored lenses available in red, blue, green and yellow
- Field replaceable lens and gasket
- Shock mount available
- Protective guard available

Certifications and compliances:

- UL1598A – Luminaires for Marine Vessels
- Type 4
- Conforms to IP66
- Marine Outside Type Saltwater
- ABS

Standard materials and finishes:

- Housing and mounting base – cast copper-free aluminum with an electrostatically applied white polyester powder coat finish or cast marine brass (see listings)
- Lens – clear heat-resistant glass (standard); colored (red, blue, green, yellow) heat-resistant glass (optional)
- Hardware – stainless steel
- Gasket – one-piece silicone
- Optional guard – stainless steel
- Lamp holder – porcelain



Aluminum



Brass

Technical specifications:

- Entries – one sealed watertight cable gland and six feet of 16/3 cable
- Lamp type – 200 watt medium floodlight PAR46 or 300 watt medium floodlight PAR56 (lamp provided); narrow spot or wide beam lamps (optional)
- Lamp holder – medium end prong (740 models); mogul end prong (741 models)
- Voltage – rated for operation on 120V

Mounting option:

- Surface mount

Photometrics:

- Complete photometrics can be found at www.crouse-hinds.com/photometrics

Pauluhn 740 and 741 industrial spot lights

Type 4
Conforms to IP66

6L

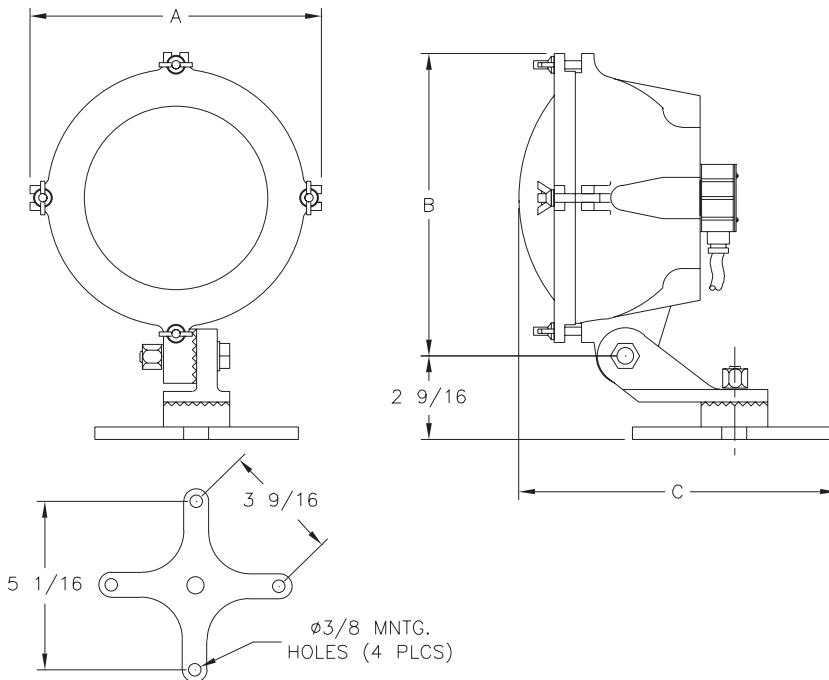
Options:

Description	Suffix
• Guard	GRD
• Shock mount	RS
• Narrow spot light type	NSP
• Wide floodlight type	WFL
<i>Available with 741 models only</i>	
• Handle	HDL
• Red colored lens	RED
• Blue colored lens	BLU
• Green colored lens	GRN
• Yellow colored lens	YEL

Ordering information:

Cat. #	Description	Material	Weight (lbs.)	ANSI lamp type
740ASM	200W incandescent	Aluminum	6.0	PAR46/MFL
741ASM	300W incandescent	Aluminum	8.0	PAR56/MFL
740SM	200W incandescent	Brass	14.0	PAR46/MFL
741SM	300W incandescent	Brass	19.0	PAR56/MFL

Dimensions (in inches):



Cat. #	A	B	C
740	8 ³ / ₄	9 ¹ / ₈	8 ³ / ₁₆
741	10 ¹ / ₁₆	10 ¹ / ₈	8 ⁷ / ₈

6L