

Pauluhn 746D2

hazardous area spot lights

Cl. I, Div. 2, Groups A, B, C, D
Cl. I, Zone 2, Groups IIA, IIB, IIB + H₂, IIC
Type 4X
Conforms to IP66

6L

Applications:

- Marine and watertight requirements
- High vibration environments
- Oil and gas exploration and production
- Surface mining^A

Features:

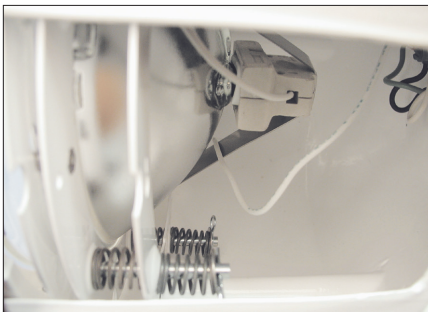
- Unique lamp suspension system design absorbs vibration to extend lamp life up to 50% longer than competitive brands
- High temperature silicone gasket provides a watertight seal
- Adjustable mounting allows 360° horizontal rotation, vertical positioning down 45° and up 90°; 60° up with handle option
- Medium flood with optional narrow or wide beam pattern (lamp included)
- Field replaceable lens and gasket
- Protective guard available

Certifications and compliances:

- Class I, Division 2, Groups A, B, C, D
- Class I, Zone 2, Groups IIA, IIB, IIB + H₂, IIC
- UL844 – Hazardous Locations
- UL1598A – Luminaires for Marine Vessels
- Type 4X
- Conforms to IP66
- Marine Outside Type Saltwater
- ABS

Standard materials and finishes:

- Housing – cast copper-free aluminum with an electrostatically applied white polyester powder coat finish or cast marine brass (see listings)
- Mounting base – cast copper-free aluminum with an electrostatically applied black polyester powder coat finish or cast marine brass (see listings)
- Lens – clear heat-resistant glass
- Hardware – stainless steel
- Gasket – one-piece silicone
- Optional guard – stainless steel
- Lamp holder – porcelain



Lamp suspension system



Aluminum



Brass

Technical specifications:

- Entries – one 1/2" NPT (standard); 3/4" NPT (optional)
- Lamp type – 300 watt medium floodlight PAR56 or 500 watt quartz halogen (lamp provided); narrow spot or wide beam lamps (optional)
- Lamp holder – mogul end prong; low voltage lamps wired direct
- Voltage – rated for operation on 120V; 12V and 28V (optional)
- Terminal block – 2-pole

Mounting option:

- Surface mount

Photometrics:

- Complete photometrics can be found at www.crouse-hinds.com/photometrics

^AApplicable for aluminum models only.

Pauluhn 746D2 hazardous area spot lights

Cl. I, Div. 2, Groups A, B, C, D
Cl. I, Zone 2, Groups IIA, IIB, IIB + H₂, IIC
Type 4X
Conforms to IP66

6L

Options:

Description	Suffix
• Guard	GRD
• Narrow spot light type	NSP[®]
• Wide floodlight type	WFL[®]
• Handle and clamp	HDL
• 12V medium floodlight type (300W)	12
• 28V medium floodlight type (450W)	28[ⓐ]

Accessories (ordered separately):

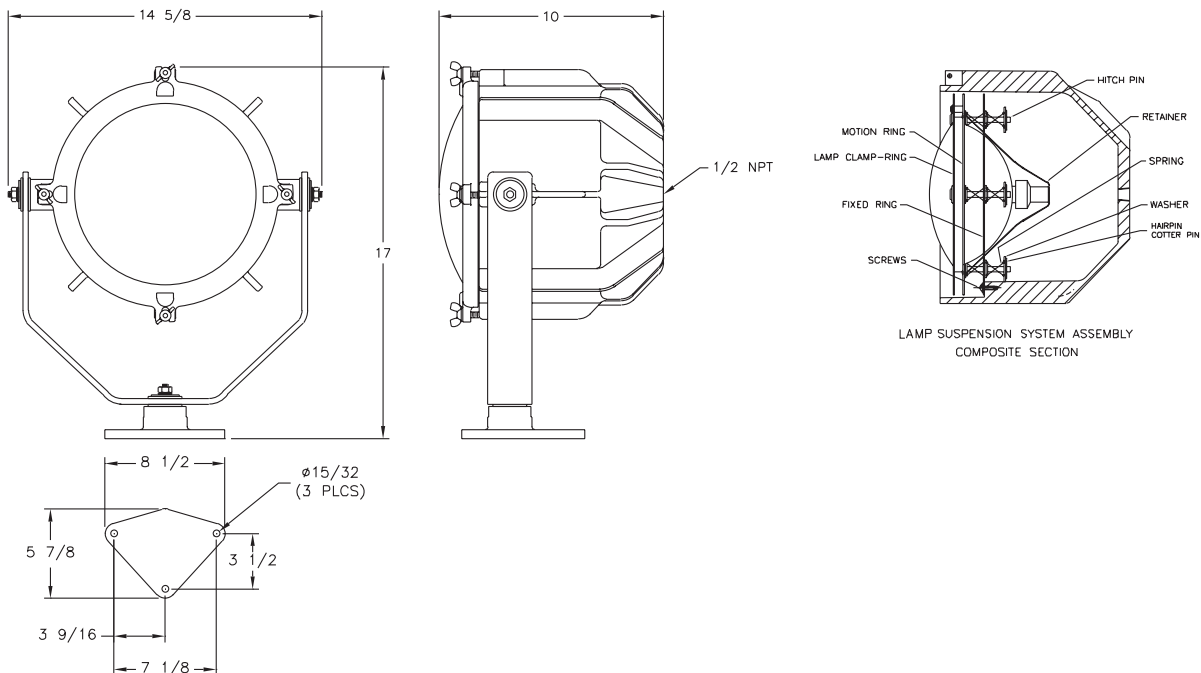
Description	Cat. #
• Replacement lamp holder	INX4014
• Replacement guard	INX1041
• Replacement frame gasket	GKT6095
• Replacement lens	INX2143
• Replacement lens and frame assembly, aluminum	INX9037A
• Replacement lens and frame assembly, brass	INX9037B
• Aluminum standard mount	INX7048A
• Brass standard mount	INX7048B
• Terminal block	FX3001
• Stainless steel swing bolt/nut kit	INX8099

Four per package

Ordering information:

Cat. #	Description	Material	Weight (lbs.)	ANSI lamp type	T-code	Ambient temperature °C	Supply wire °C
746A	300W incandescent	Aluminum	22.0	PAR56/MFL	T1	40	110
746AQ	500W quartz halogen	Aluminum	22.0	PAR56Q/ML	T1	40	110
746B	300W incandescent	Brass	56.0	PAR56/MFL	T1	40	110
746BQ	500W quartz halogen	Brass	56.0	PAR56Q/ML	T1	40	110

Dimensions (in inches):



[®] For 120V only.
[ⓐ] 10 hour lamp life.