

RMQ high performance LED



High brightness. Small size. Maximum flexibility.

A modular design with maximum flexibility

Eaton's modular RMQ-Titan pilot devices offer maximum flexibility and an innovative design.

The tool and maintenance-free terminals of the Flat Rear contact and LED elements save time during installation.

The new high-performance LED elements integrate seamlessly into our existing RMQ system. This enables much brighter illumination of indicator lights, illuminated pushbuttons, illuminated selector switches and illuminated emergency-stop buttons.

Extra flat

Thanks to their flat design, they are the perfect match for the Flat Rear contact elements, with a mounting depth of only 30 mm in the case of the proven M22 series.

And the devices of the M30 Flat Front series have a mounting depth of only 38 mm, even if equipped with the AFX anti-rotation tab.

The new high-performance LED elements integrate seamlessly into our new flat surface-mounting enclosures.

Bright, brighter, high performance LEDs

Our new high-performance LEDs stand out for their extreme brightness and color brilliance. This makes it possible to clearly indicate and detect machine states even in environments with high levels of ambient light.

Machine states can thus be clearly identified, even outdoors and in sunlight.

- greater **BRIGHTNESS**
- greater **BRILLIANCE**
- greater **VISIBILITY**

(especially in direct sunlight)



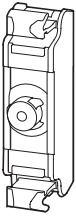
EATON

Powering Business Worldwide

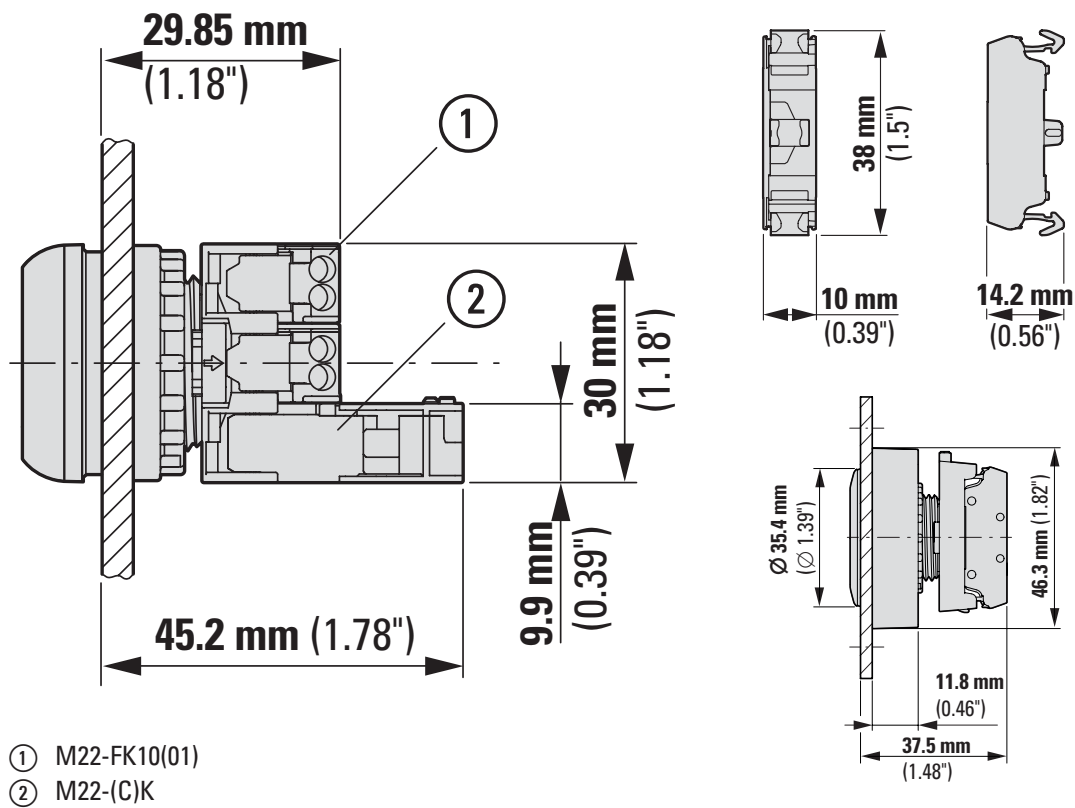
RMQ high performance LED

Rated operational voltage U_e V	Rated operational current I_e mA	Power consumption max. P W	Color	Part no. Article no.	Std. pack
Frontbefestigung LED elements (Flat Rear with Cage Clamp, push-in)					
18 - 30 V DC	10 - 23	0,43	○	M22-FLED-W-HP 197141	20 units
18 - 30 V DC	10 - 23	0,43	●	M22-FLED-B-HP 197145	
18 - 30 V DC	10 - 23	0,43	●	M22-FLED-G-HP 197143	
18 - 30 V DC	10 - 23	0,43	●	M22-FLED-R-HP 197142	

Frontbefestigung



Pushbuttons with Flat Rear contact element ①
Pushbuttons with standard contact element ②



For additional information, please consult our online catalog or the Pushbutton Configurator.

The products, information and prices contained in this document are subject to change. We also reserve the right to correct any errors or omissions. Only order the confirmations and technical documentation received from Eaton are binding. Images and illustrations are indicative only and do not serve as proof of any particular design or functionality. Their use in whatever form is subject to prior approval by Eaton. The same applies to trademarks (especially to Eaton, Moeller and Cutler-Hammer). Eaton's general terms and conditions apply, as referenced on Eaton's internet pages and on order confirmations received from Eaton.

Eaton Industries GmbH
Hein-Moeller-Str. 7-11
D-53115 Bonn / Germany

© 2019 Eaton
All rights reserved
Designation: FL047008EN
November 2019