



The RMQ Titan M22-RJ45-CAT6A panel mount connector

Compelling all around

The M22-RJ45-CAT6A panel mount connector provides reliable and easy access to the technology inside the control cabinet. This RJ45 socket significantly simplifies the configuration and programming of the control cabinets.

Powerful

The M22-RJ45 boasts a high degree of protection (IP65) and an ambient temperature range of -25°C to +70°C. Its improved shielding and greater power reserves make it the perfect extension of our existing M22-RJ45-SA interface.

The M22-RJ45-CAT6A supports transmission frequencies of up to 500 MHz, which enables Ethernet applications up to 10 Gigabit.

Features

The developments of Industry 4.0 confirm the need for such an interface. At a time when ever higher operating frequencies are required, the M22-RJ45-CAT6A can handle Ethernet speeds of up to 10 Gigabit and thus makes for the perfect addition to modern control cabinets.

Compatibility

The panel mount connector has been designed for Cat. 6A, but is also backward compatible with existing categories such as Cat. 5e.

Design

The M22-RJ45-CAT6A fits seamlessly into our RMQ-Titan range and can be easily integrated into a wide range of applications.



At a glance

Technical data

- Degree of protection: IP65 (when the protective flap is closed)
- Transmission frequencies up to 500 MHz
- Supports Ethernet applications up to 10 Gigabit
- Ambient air temperature range: -25°C bis +70°C
- Backward compatible with existing categories (i.e. Cat. 5e)

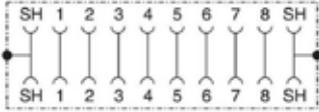


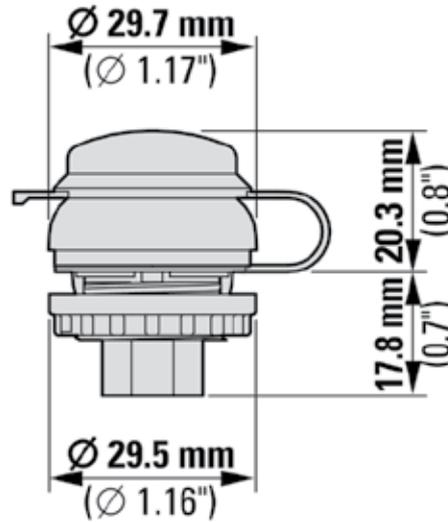
Upgrades compared to the previous version

- Improved shielding
- Less sensitive to faults
- Greater power reserves
- Higher bandwidth and transmission frequency

Design

- Mounting diameter: 22.5 mm
- Seamless integration into existing systems and applications

RJ45 8/8 socket, Cat. 6A	Designation: M22-RJ45-CAT6A Art. NO.: 400122
Degree of protection	IP65 (when the flap is closed) IP20 (when a connector is plugged in)
Bezel	Silver bezel
Wiring diagram/contact assignment	
Product standards	UL 508; CSA-C22.2 No. 142; CE marking IEC: IP65 and UL/CSA NEMA Type 2, 3R, 4, 4X, 12, 13 when the flap is closed, IP20 when a connector is plugged in



For more information, please refer to our [online catalog](#)