



Inspection windows for safe operation



With our hinged inspection window sets (either 4 HP or 6 HP wide), the easyE4 control relay can be installed directly inside the cabinet door or the CI housing.

The easyE4 in a nutshell

The easyE4 control relay is our powerful control relay for controlling a variety of simple applications. It covers a wide range of voltages (AC, DC, UC) and comes with different communication options. Besides the integrated Modbus TCP functionality, each easyE4 can be locally expanded with additional I/O or communication modules (Modbus RTU, SmartWire-DT) via a plug connector.

Out-of-the-box sets for flexible installation



The hinged inspection window sets allow the easyE4 keypad to be safely operated even from outside the cabinet. Two different sets are available, featuring either a 4 HP or a 6 HP inspection window. The packages include the necessary top-hat rail adapters, meaning no additional parts are needed to mount the windows.

Rated IP65, the front of the inspection window protects the easyE4 in harsh environments. Thanks to the installation sets, the control relays can be easily and quickly installed in the cabinet door or a CI enclosure, up to a panel thickness of 8 mm.

Benefits

- Simple and fast assembly thanks to standard components for front panels
- IP65 protection, enabling safe operation of the easyE4 even in harsh environments
- Suitable for front panels with a thickness up to 8 mm
- Safe operation of the easyE4 keypad

Combination examples

Package	Possible combinations	Visuals
EASY-E4-BOX-SKF-4TE	easyE4 control relay (AC, DC, UC)	
EASY-E4-BOX-SKF-6TE	easyE4 control relay (AC, DC, UC) + small expansion module OR easyE4 control relay (AC, DC, UC) + communication module (Modbus RTU, SmartWire-DT)	

Available sets

4 HP hinged inspection window set

Part no.: EASY-E4-BOX-SKF-4TE

Catalogue no.: 401058



- 1 x hinged inspection window, 4 HP wide (233780, SKF-FF4)
- 1 x top-hat rail adapter (233782, SKF-HA)
- 1 x 4 HP mounting rail (206903, TS-CI-K3)

6 HP hinged inspection window set

Part no.: EASY-E4-BOX-SKF-6TE

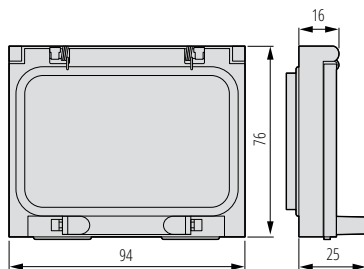
Catalogue no.: 401059



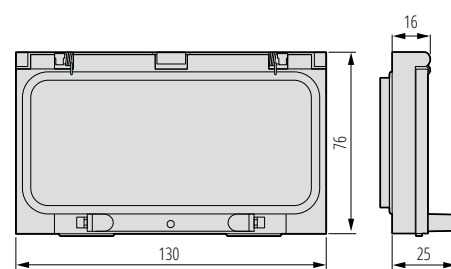
- 1 x hinged inspection window, 6 HP wide (233781, SKF-FF6)
- 1 x top-hat rail adapter (233782, SKF-HA)
- 1 x 6 HP mounting rail (206904, TS-CI-K4)

Dimensions

4 HP hinged inspection window

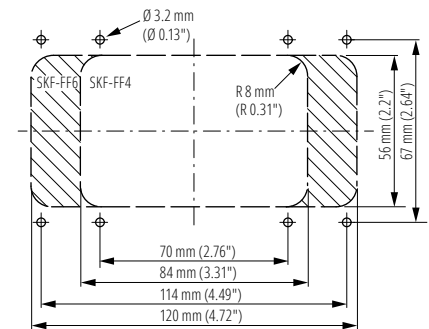


6 HP hinged inspection window



Drilling pattern

4HP and 6 HP inspection windows



Eaton

EMEA Headquarters
Route de la Longeraie 7
1110 Morges
Switzerland
Eaton.com

Electrical Sector

Eaton Industries GmbH
Hein-Moeller-Str. 7-11
53115 Bonn
Germany

© 2023 Eaton
All Rights Reserved
Publication No. FL050020EN
May 2023

The products, information and prices contained in this document are subject to change. The same is true for any errors or omissions. Only the order confirmation and the technical documentation received from Eaton are binding. Photos and illustrations are indicative only and do not serve as proof of any appearance or functionality. Their use in any form must be approved in advance by Eaton. The same applies for brand names (in particular Eaton, Moeller, Cutler-Hammer, Cooper and Bussmann). Eaton's terms of sale, as published on Eaton's websites and included with order confirmations received from Eaton, apply.

Eaton is a registered trademark.

All other trademarks are property of their respective owners.

Follow us on social media to get the latest product and support information.

