



**(en)** Electric current! Dangler to life!  
Installation, commissioning and maintenance work must be carried out by qualified personnel only.

**(zh)** 触电危险!

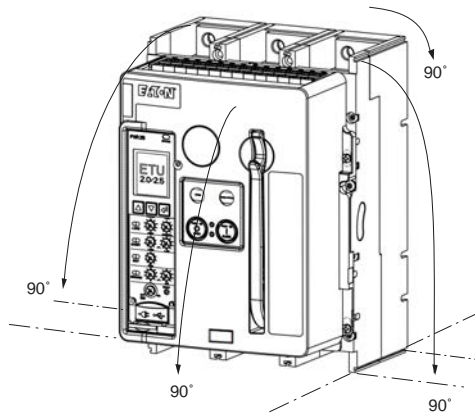
設備的安裝，以及所有工作，必須由合格的電工或經過專門培訓的人員完成。

# Power Defense™

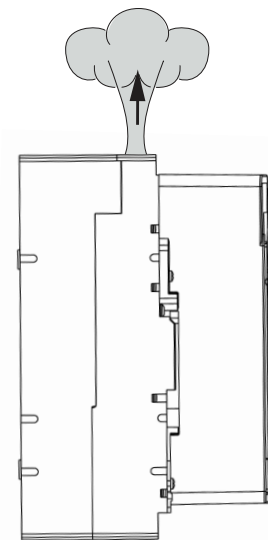
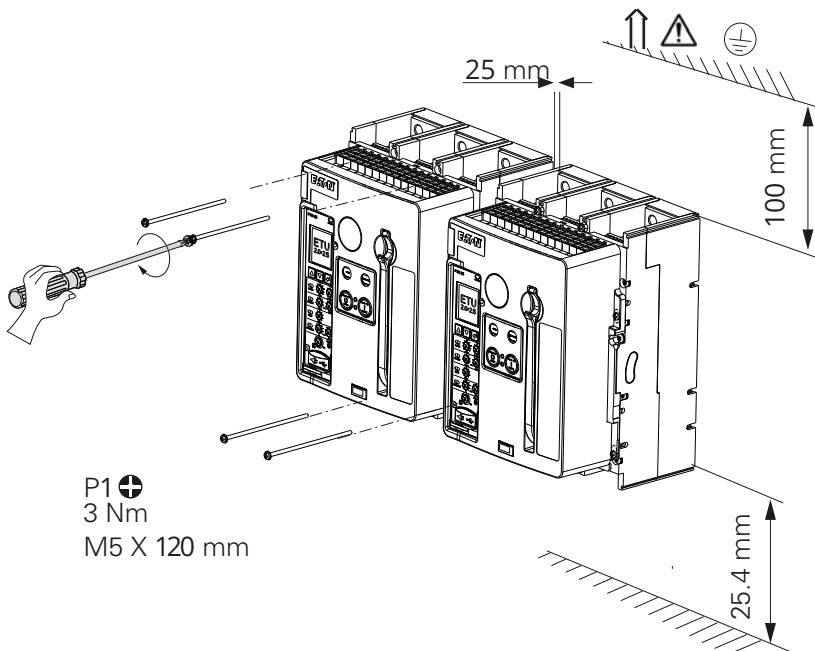
## Breaker IL For Power Defense Frame-5 PDC5 Molded Case Circuit Breaker

**(en)** Minimum clearance/  
direction of blow-out

**(zh)** 最小间距 / 吹气方向



Picture	Shape	Size
	●	5 mm
	⊕	5 mm
	⬠	3mm、 8 mm



en Terminals

zh 连接技术

最大运行电流A	建议汇流排尺寸与数量
630	5X50X2
800	5X50X2
1000	5X60X2 需配扩展排
1250	5X80X2 需配扩展排
1600	5X100X2 需配扩展排

en Barrier Options

zh 相间隔板选项

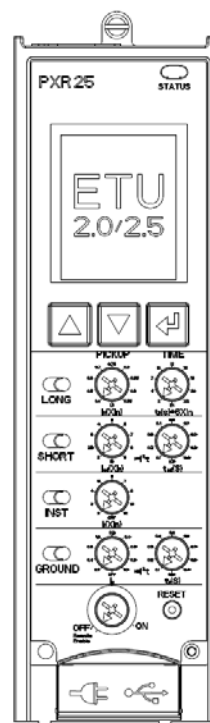
PDC5XIB3(4)PL100      PDC5XIB3(4)PL200

① Basic device + Interphase Barrier

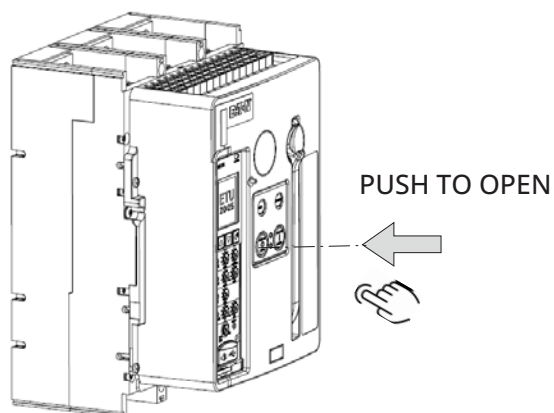
Combination options

The functions depicted are available in combinations to fit application needs. Additional pictures and details in PXR User Manual found at [www.eaton.com.cn/izm9](http://www.eaton.com.cn/izm9).

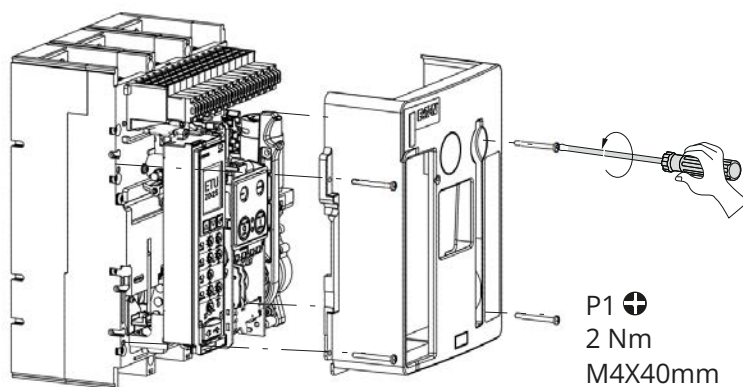
### PXR 25 and 20



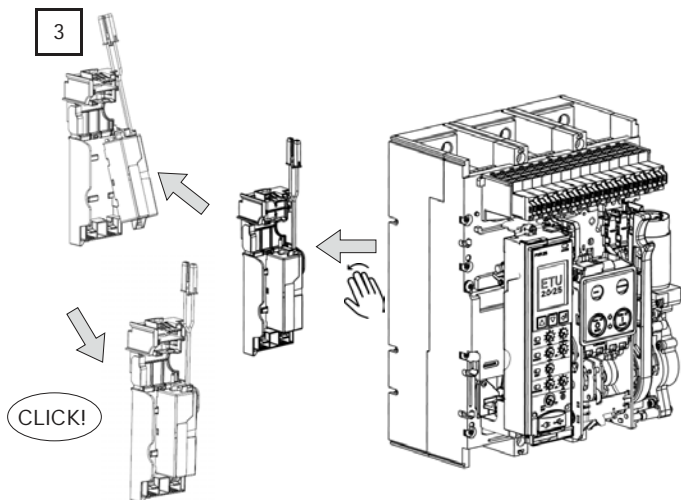
1



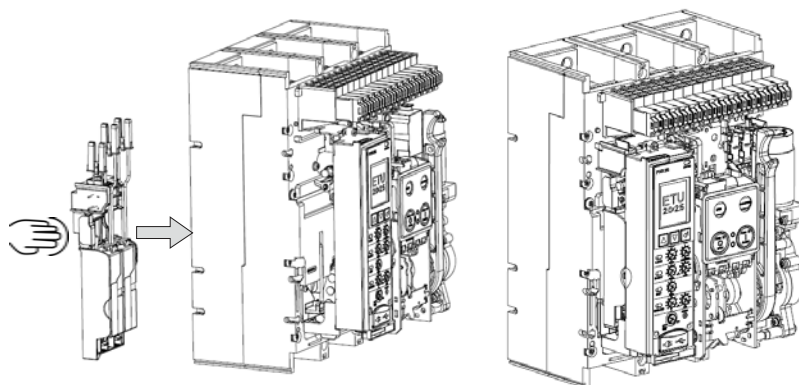
2



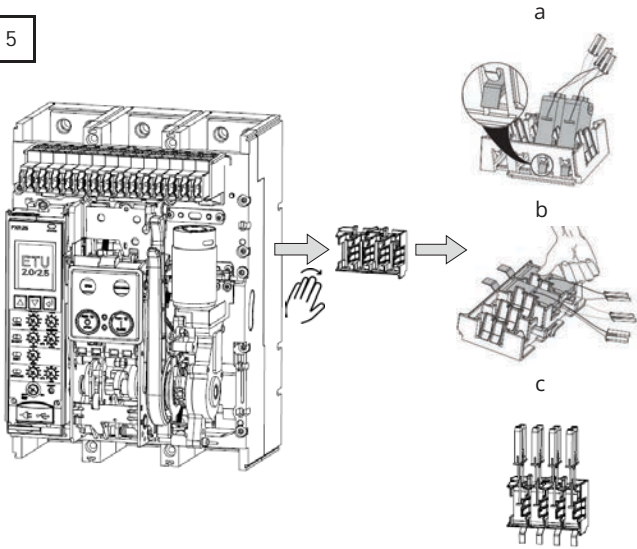
3



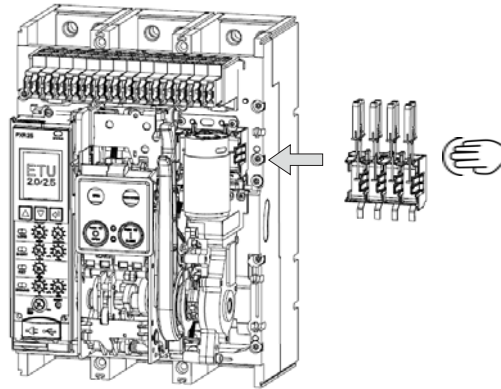
4



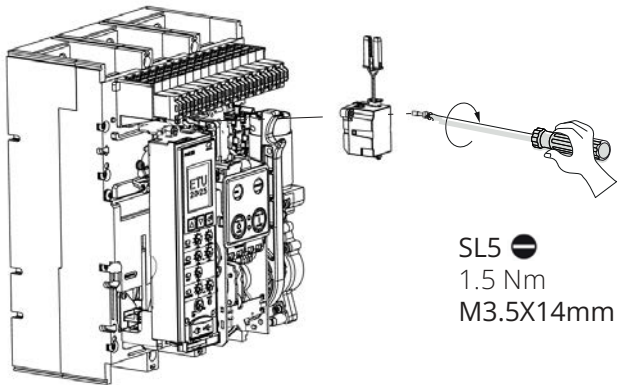
5



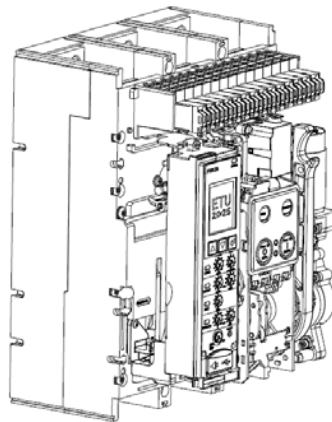
6



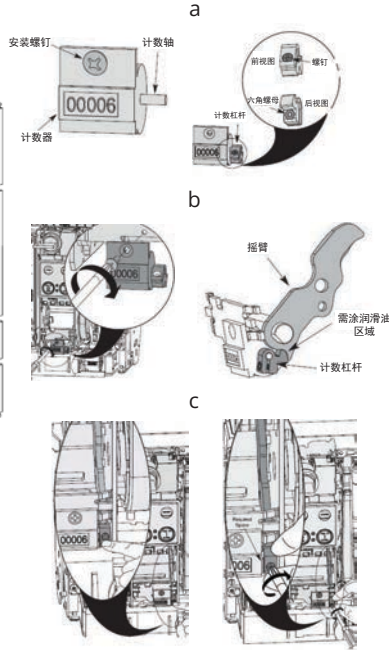
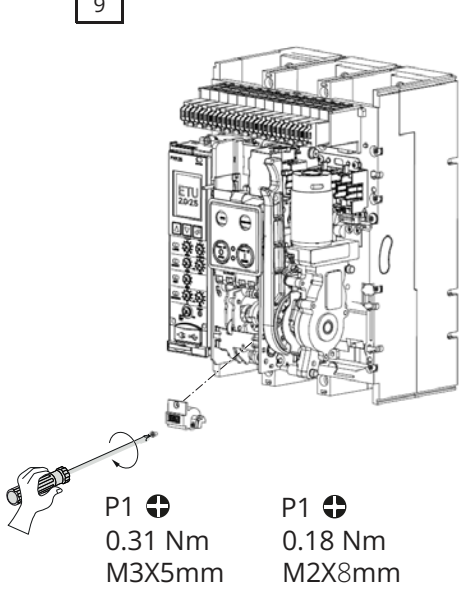
7



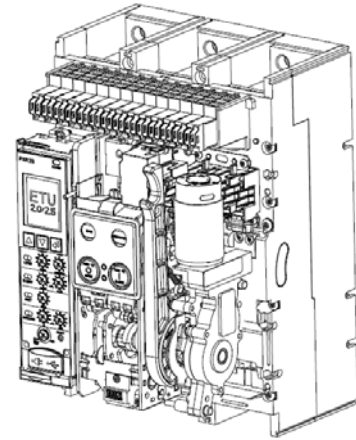
8



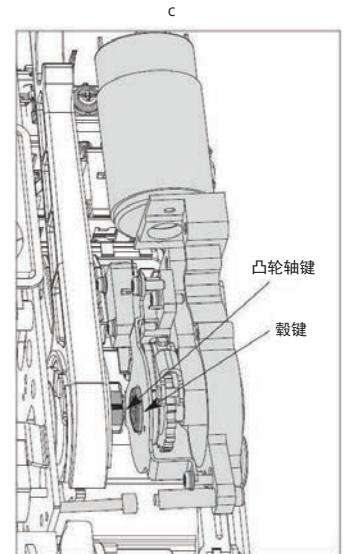
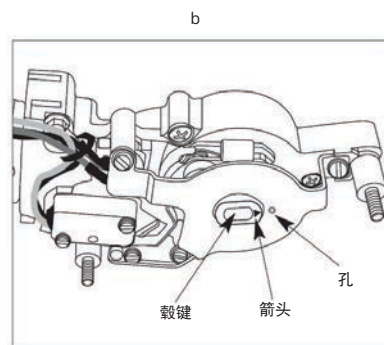
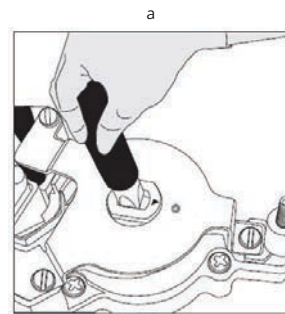
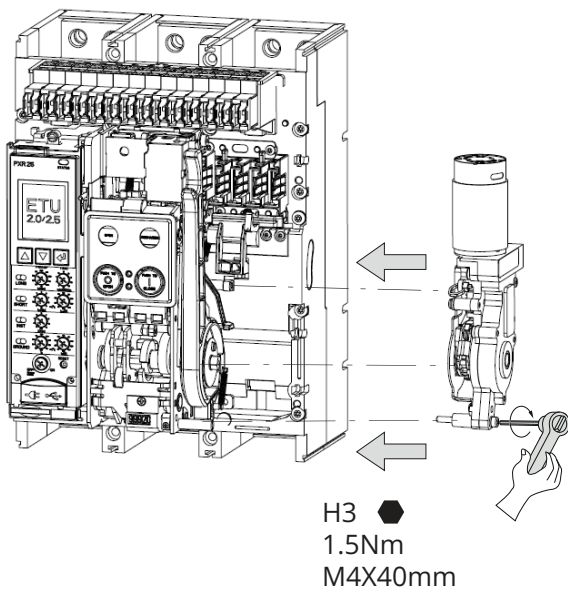
9



10

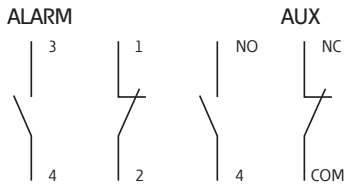


11



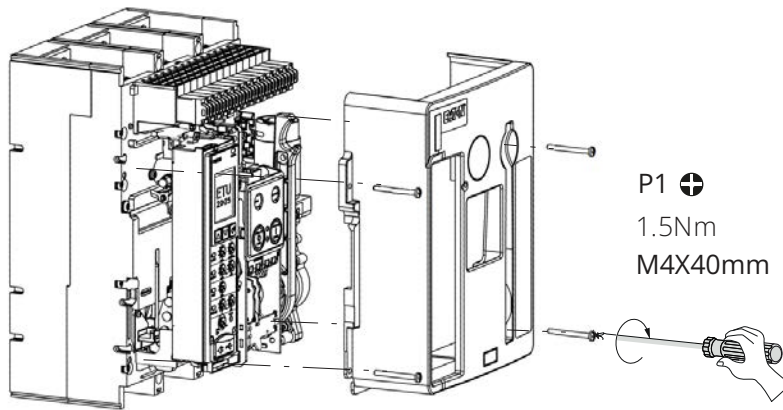
PDC5-AS22-16-2

IEC

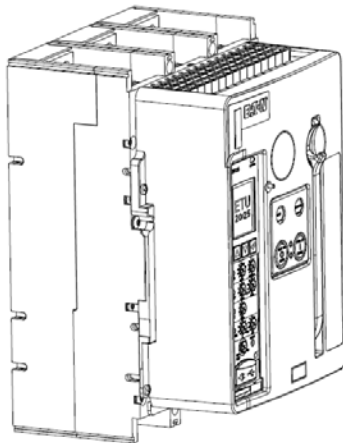


	$U_e$ (V)	$I_e$ (A)
AC-12	250	16
DC-12	250	0.3

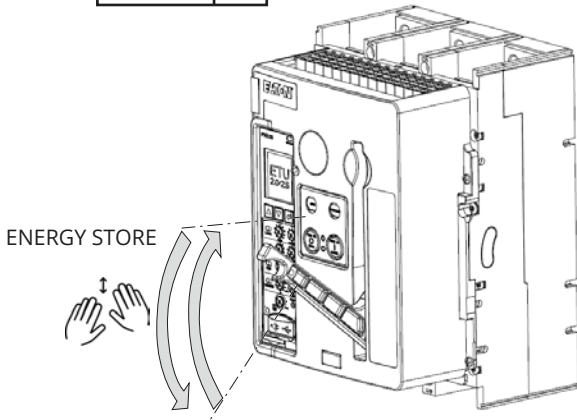
12



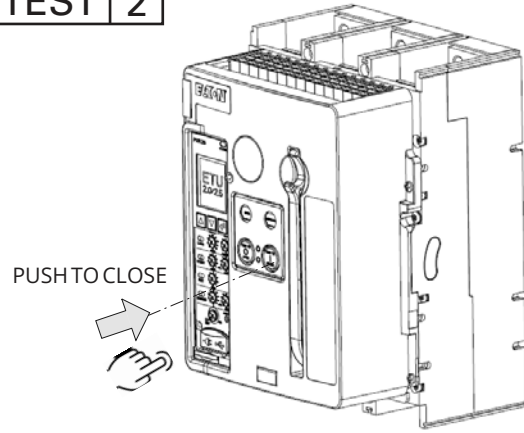
13



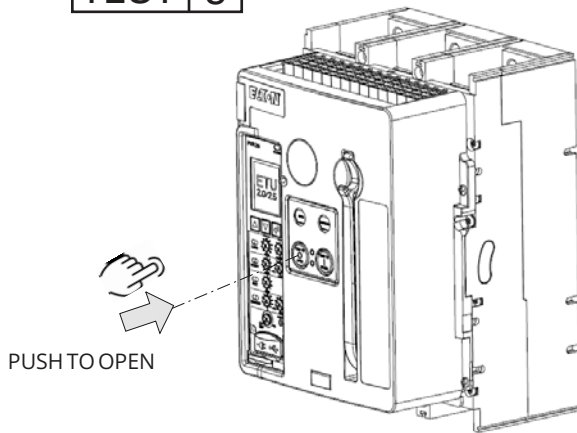
### TEST 1



### TEST 2

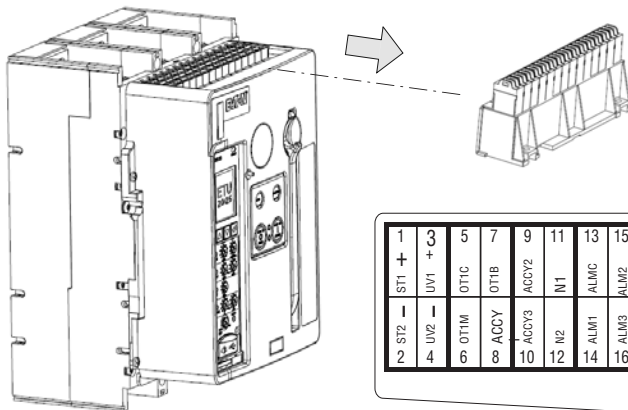


### TEST 3



en Secondary Terminal

zh 接线端子



1	3	5	7	9	11	13	15	17	19	21	23	25	27	29	31	33	35	37	39	41	43	45	47	49	51	53	55
+	+																										
ST1	UV1	OTTC	OTTB	ACCY2	N1	ALMC	ALM2	G1	+24V	ZIN	ZOIM	CM11	CM13	PTVA	PTVC	MODBA	MODBB	ACCY5	ACCY7	E01	SR1	C1	B1	C2	C3	B3	C4
-	-																										
2	4	6	8	10	12	14	16	18	20	22	24	26	28	30	32	34	36	38	40	42	44	46	48	50	52	54	56
ST2	UV2	OTTM	ACCY	ACCY3	N2	ALM1	ALM3	G2	AGND	ARMISIN	ZOUT	CM12	CM14	PTVB	PTVN	MODDB	ACCY4	ACCY6	SC	E02	SR2	A1	B2	A2	A3	B4	A4

PXR TRIP UNITS



669258940

