

36W Single Output DIN Rail Mounted Industrial Power Supply

EASY400-POW-CN

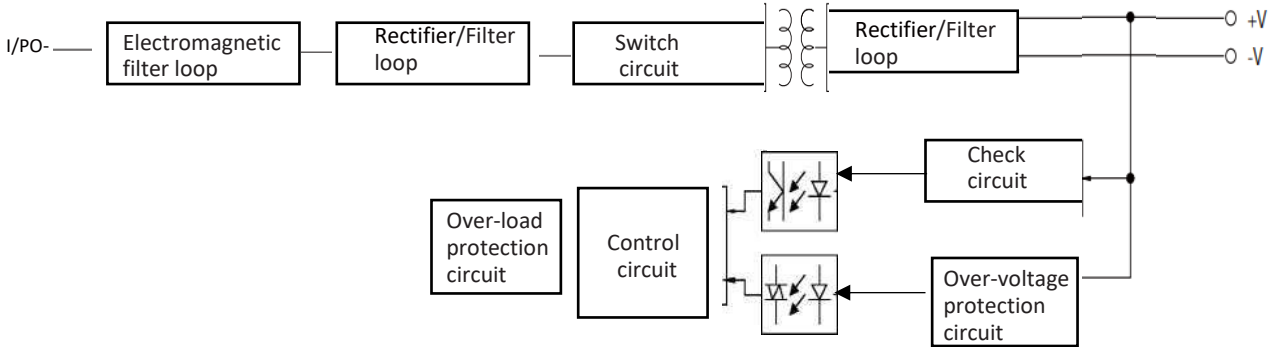
- Features
 - Ultra-slim design: 35mm width (2SU)
 - Isolation Class II
 - Protections: Short-circuit/Over-load/Over-voltage protections
 - Can be mounted on TS-35/7.5 or 15
 - Internationally compatible input: 120-370Vdc or 85-264Vac
 - Compliant with LPS (Limited power source)
 - Natural air cooling (operating temperature: -30°C to +70°C)
 - LED indicator for power-on status
 - No load power consumption: <0.3W
 - Adjustable DC output voltage
 - Over-voltage category: III
 - One year warranty

Electrical Specification

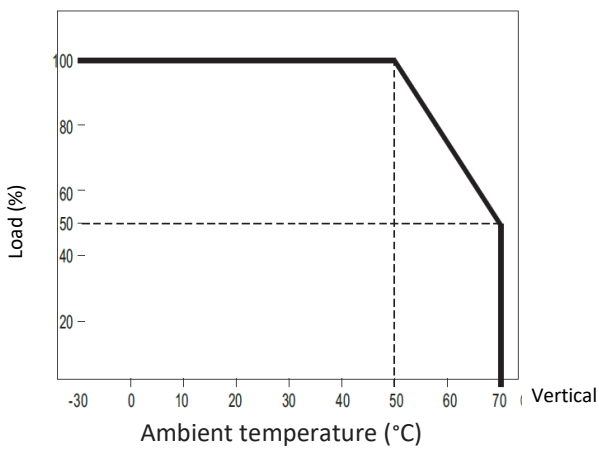
Model		EASY400-POW-CN			
Output	DC voltage	28V			
	Rated current	1.3A			
	Current range	0 to 1.5A			
	Rated power	36W			
	Ripple & noise (max) <small>Note 2</small>	150mVp-p			
	Voltage accuracy <small>Note 3</small>	±1.0%			
	Linear regulation	±1.0%			
	Load regulation	±1.0%			
	Start, rise time	500ms, 50ms/230VAC; 500ms, 50ms/115VAC (at full load)			
Hold-up time <small>(Typ.)</small>	30ms/230VAC; 12ms/115VAC (at full load)				
Input	Voltage range	85 to 264VAC; 120 to 370VDC			
	Frequency range	47 to 63Hz			
	Efficiency <small>(Typ.)</small>	89%			
	AC current <small>(Typ.)</small>	0.88A/115VAC, 0.48A/230VAC			
	Surge current <small>(Typ.)</small>	Cold start: 25A/115VAC, 45A/230VAC			
Protections	Over-load <small>Note 4</small>	105% to 160% of rated output power Protection mode: Constant current mode, automatically recoverable after abnormal load conditions are removed			
	Over-voltage	30 to 36V Protection mode: Shut down outputs, recoverable after restart			
Environment	Operating temperature	-30°C to 70°C (refer to the Derating Curve)			
	Operating humidity	20 to 90% RH, no condensation			
	Storage temperature and humidity	-40 to +85°C, 10 to 95% RH, no condensation			
	Temperature factor	± 0.03%/°C (0 to 50°C)			
	Vibration resistance	10 - 500Hz, 2G 10 min/cycle, X,Y, Z axis each for 60 mins; Installation: Compliant with IEC60068-2-6			
	Operating altitude	2000m			
	Over-voltage category	III; in accordance to EN61558, EN50178, EN60664-1, EN62477-1; altitude up to 2000m			
Safety regulations and electromagnetic compatibility	Safety regulations	UL60950-1, UL508, EAC TP TC 004, BSMI CNS14336-1, TUV EN61558-2-16, IEC60950-1 certification, designed to TUV EN60950-1			
	Withstand voltage	I/P-O/P:4KVAC			
	Insulation resistance	I/P-O/P:100M Ohms / 500VDC / 25°C/70% RH			
	Electromagnetic compatibility emission	Parameter	Standard	Test Level / Note	
		Conducted	EN55032(CISPR32), CNS13438	Class B	
		Radiated	EN55032(CISPR32), CNS13438	Class B	
		Harmonic Current	EN61000-3-2	Class A	
		Voltage Flicker	EN61000-3-3		
	Electromagnetic compatibility immunity	EN55024, EN55035, EN61000-6-2, EN61204-3			
		Parameter	Standard	Test Level /Note	
		ESD	EN61000-4-2	Level 3, 8KV air; Level 2, 4KV contact,	
		Radiated Susceptibility	EN61000-4-3	Level 3, criteria A	
		EFT/Burest	EN61000-4-4	Level 3, criteria A	
		Surge	EN61000-4-5	Level 4,2KV/L-N, criteria A	
		Conducted	EN61000-4-6	Level 3, criteria A	
Magnetic Field		EN61000-4-8	Level 4, criteria A		

		Voltage Dips and interruptions	EN61000-4-11	>95% dip 0. 5 periods, 30% dip 25 periods, >95% interruptions 250
Others	MTBF	≥ 968.1K hrs. MIL-HDBK-217F (25c)		
	Dimensions	35*90*54.5mm (W*H*D)		
	Package	0.12kg; 96pcs/12.5Kg/1.04CUFT		
Notes	<p>1. Unless otherwise specified, all data are measured at 230VAC input, rated load, and 25°C ambient temperature.</p> <p>2. Ripple and noise measurement method: Use a 12" twisted pair with 0.1uf and 47uf capacitors connected in parallel at the terminal, and measure at a 20mhz bandwidth.</p> <p>3. Accuracy includes setting errors, linear regulation and load regulation.</p> <p>4. Constant current can be operated at 50% to 100% of rated output voltage; Short-circuit protection: hiccup mode, automatic recovery after abnormal load conditions are removed</p> <p>5. When the altitude exceeds 2000m (6500 feet), the ambient temperature decreases by 3.5°C per 1000m for of models without a fan, and by 5°C per 1000m for the models with a fan</p>			

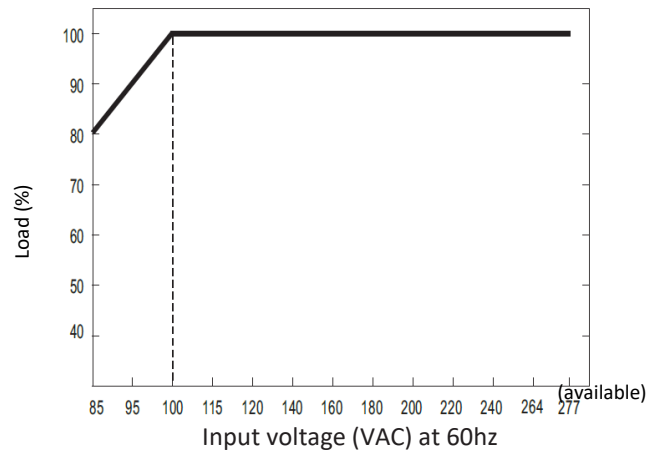
■ Block Scheme



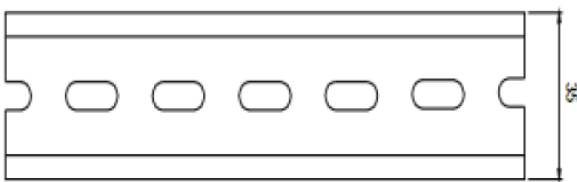
■ Derating Curve



■ Derating Output vs Input Voltage Curve



■ Dimensions (mm, tolerance at ±0.5mm)



ADMISSIBLE DIN-RAIL: TS35/7.5 OR TS35/15

Terminal Pin Definitions

Pin No.	Pin function	Pin No.	Pin function
1	+28V	3	AC/L
2	OV	4	AC/N

