

# IZM65/67 latch check switch (LCS)

## WARNING

- (1) **ONLY QUALIFIED ELECTRICAL PERSONNEL SHOULD BE PERMITTED TO WORK ON THE EQUIPMENT.**
- (2) **ALWAYS DE-ENERGIZE PRIMARY AND SECONDARY CIRCUITS IF A CIRCUIT BREAKER CANNOT BE REMOVED TO A SAFE WORK LOCATION.**
- (3) **DRAWOUT CIRCUIT BREAKERS SHOULD BE LEVERED (RACKED) OUT TO THE DISCONNECT POSITION.**
- (4) **ALL CIRCUIT BREAKERS SHOULD BE SWITCHED TO THE OFF POSITION AND MECHANISM SPRINGS DISCHARGED.**

**FAILURE TO FOLLOW THESE STEPS FOR ALL PROCEDURES DESCRIBED IN THIS INSTRUCTION LEAFLET COULD RESULT IN DEATH, BODILY INJURY, OR PROPERTY DAMAGE.**

### Section 1: General information

The circuit breaker sends out a signal when ready to close.

### Tools required

- Phillips screwdriver
- 10mm socket or 10mm wrench

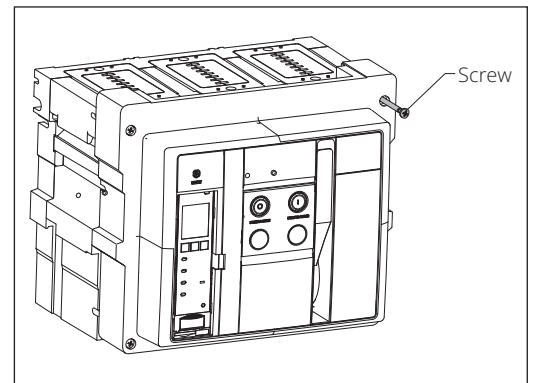
### Kit parts identification

- LCS (1)
- Screws M4×10 (2)

### Section 2: Installing the LCS

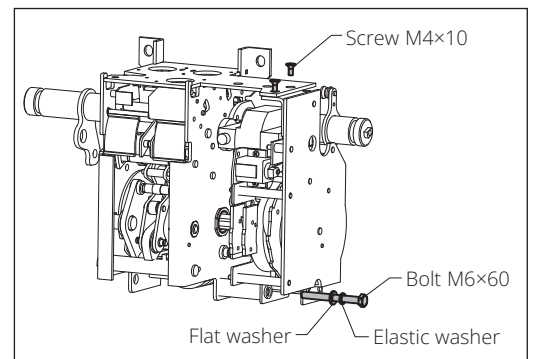
Follow below steps for installation:

Step 1: Remove the mounting screws from the circuit breaker panel with the Phillips screwdriver. Pull down the charging handle (by an approx. 45° angle) to remove the cover.



**Figure 1. Step 1**

Step 2: Remove the screws as shown below, and remove the motor operator.



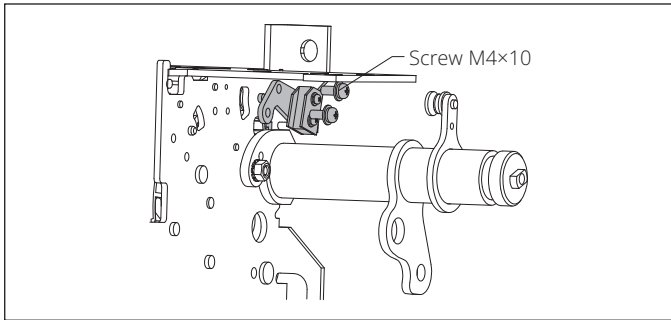
**Figure 2. Step 2**

# EATON

Powering Business Worldwide

Effective March 2023

Step 3: Mount the LCS assembly on the right panel of the mechanism with two M4×10 screws, as shown below.



**Figure 3. Step 3**

Step 4: Wire the conductors respectively to Terminal 31, 32, and 33 according to cable marker identification.

Step 5: Measure: Whether Terminal 32 and 33 are switched on when it cannot be closed; Whether Terminal 31 and 32 are switched on when it can be closed.

Step 6: Put the motor operator and cover back separately.

## Disclaimer of warranties and limitation of liability

The information, recommendations, descriptions, and safety notations in this document are based on Eaton Corporation's ("Eaton") experience and judgment, and may not cover all contingencies. If further information is required, an Eaton sales office should be consulted.

Sale of the product shown in this literature is subject to the terms and conditions outlined in appropriate Eaton selling policies or other contractual agreement between Eaton and the purchaser.

THERE ARE NO UNDERSTANDINGS, AGREEMENTS, WARRANTIES, EXPRESSED OR IMPLIED, INCLUDING WARRANTIES OF FITNESS FOR A PARTICULAR PURPOSE OR MERCHANTABILITY, OTHER THAN THOSE SPECIFICALLY SET OUT IN ANY EXISTING CONTRACT BETWEEN THE PARTIES. ANY SUCH CONTRACT STATES THE ENTIRE OBLIGATION OF EATON. THE CONTENTS OF THIS DOCUMENT SHALL NOT BECOME PART OF OR MODIFY ANY CONTRACT BETWEEN THE PARTIES.

In no event will Eaton be responsible to the purchaser or user in contract, in tort (including negligence), strict liability, or otherwise for any special, indirect, incidental, or consequential damage or loss whatsoever, including but not limited to damage or loss of use of equipment, plant or power system, cost of capital, loss of power, additional expenses in the use of existing power facilities, or claims against the purchaser or user by its customers resulting from the use of the information, recommendations, and descriptions contained herein.

The information contained in this manual is subject to change without notice.

**Eaton Corporation**  
**Asia Pacific Headquarter**  
 No.3, Lane 280, Linhong Road,  
 Changning District,  
 Shanghai 200335  
 Tel: 86-21-52000099  
 Fax: 86-21-52000200

© 2023 Eaton  
 All Rights Reserved  
 Printed in China  
 Publication No. IL0131222EN  
 March 2023

Eaton is a registered Trademark.

All other trademarks are property of their respective owners.