

IZM65/67 OFF-position safety lock

WARNING

- (1) **ONLY QUALIFIED ELECTRICAL PERSONNEL SHOULD BE PERMITTED TO WORK ON THE EQUIPMENT.**
- (2) **ALWAYS DE-ENERGIZE PRIMARY AND SECONDARY CIRCUITS IF A CIRCUIT BREAKER CANNOT BE REMOVED TO A SAFE WORK LOCATION.**
- (3) **DRAWOUT CIRCUIT BREAKERS SHOULD BE LEVERED (RACKED) OUT TO THE DISCONNECT POSITION.**
- (4) **ALL CIRCUIT BREAKERS SHOULD BE SWITCHED TO THE OFF POSITION AND MECHANISM SPRINGS DISCHARGED.**

FAILURE TO FOLLOW THESE STEPS FOR ALL PROCEDURES DESCRIBED IN THIS INSTRUCTION LEAFLET COULD RESULT IN DEATH, BODILY INJURY, OR PROPERTY DAMAGE.

Section 1: General information

1. When without a key, the circuit breaker will be in the "Disconnected" state and cannot be closed.
2. When the key is in the "ON" position – that is, the key is inside the lock cylinder - and turned, the circuit breaker will offer full functions.
3. The key cannot be removed when the circuit breaker is in "ON" (Closed) state.

Notes: To remove the key, first press the breaker's "OFF" button; then turn the key by 90 degrees counterclockwise.

Notes: When the circuit breaker is in the OFF state, press and hold the OFF button, then turn the key by 90 degrees counterclockwise to lock it. To unlock it, turn the key by 90 degrees clockwise.

Tools required

- Phillips screwdriver
- Drill $\Phi 25$

Kit parts identification

- OFF-position safety lock (1)
- Screws M4×10 (1)

Section 2: Installing the OFF-position safety lock

Follow below steps for installation:

Step 1: Remove the mounting screws from the circuit breaker panel with the Phillips screwdriver. Pull down the charging handle (by an approx. 45° angle) to remove the cover.

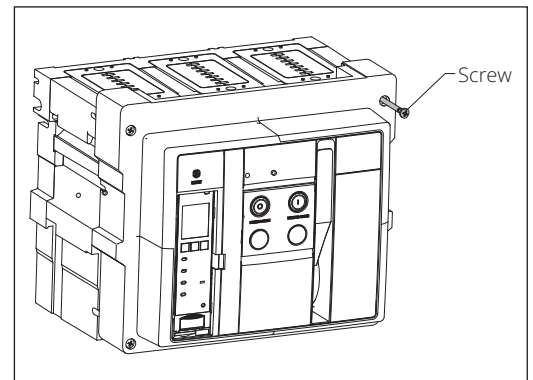


Figure 1. Step 1

Step 2: Place the OFF-position safety lock onto the mechanism cover and secure it with the M4×10 screw (the lock should be in the unlocked state during mounting).

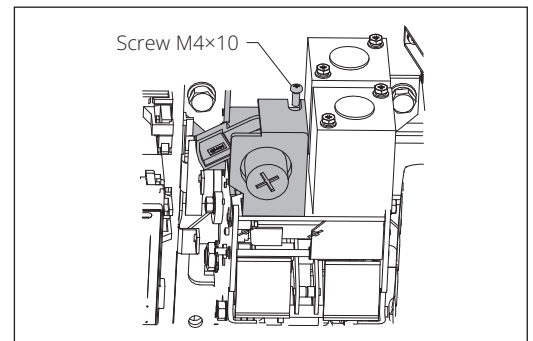


Figure 2. Step 2

EATON

Powering Business Worldwide

Effective March 2023

Step 3: Make a cutout ($\Phi 25$) on the cover according to the cover outline.

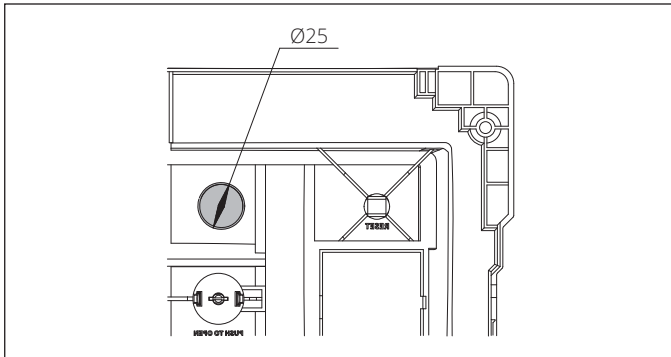


Figure 3. Step 3

Step 4: Put the cover back.

Disclaimer of warranties and limitation of liability

The information, recommendations, descriptions, and safety notations in this document are based on Eaton Corporation's ("Eaton") experience and judgment, and may not cover all contingencies. If further information is required, an Eaton sales office should be consulted.

Sale of the product shown in this literature is subject to the terms and conditions outlined in appropriate Eaton selling policies or other contractual agreement between Eaton and the purchaser.

THERE ARE NO UNDERSTANDINGS, AGREEMENTS, WARRANTIES, EXPRESSED OR IMPLIED, INCLUDING WARRANTIES OF FITNESS FOR A PARTICULAR PURPOSE OR MERCHANTABILITY, OTHER THAN THOSE SPECIFICALLY SET OUT IN ANY EXISTING CONTRACT BETWEEN THE PARTIES. ANY SUCH CONTRACT STATES THE ENTIRE OBLIGATION OF EATON. THE CONTENTS OF THIS DOCUMENT SHALL NOT BECOME PART OF OR MODIFY ANY CONTRACT BETWEEN THE PARTIES.

In no event will Eaton be responsible to the purchaser or user in contract, in tort (including negligence), strict liability, or otherwise for any special, indirect, incidental, or consequential damage or loss whatsoever, including but not limited to damage or loss of use of equipment, plant or power system, cost of capital, loss of power, additional expenses in the use of existing power facilities, or claims against the purchaser or user by its customers resulting from the use of the information, recommendations, and descriptions contained herein.

The information contained in this manual is subject to change without notice.

Eaton Corporation
Asia Pacific Headquarter
 No.3, Lane 280, Linhong Road,
 Changning District,
 Shanghai 200335
 Tel: 86-21-52000099
 Fax: 86-21-52000200

© 2023 Eaton
 All Rights Reserved
 Printed in China
 Publication No. IL0131219EN
 March 2023

Eaton is a registered Trademark.

All other trademarks are property of their respective owners.

