

# IZM61 closing release

## WARNING

- (1) **ONLY QUALIFIED ELECTRICAL PERSONNEL SHOULD BE PERMITTED TO WORK ON THE EQUIPMENT.**
- (2) **ALWAYS DE-ENERGIZE PRIMARY AND SECONDARY CIRCUITS IF A CIRCUIT BREAKER CANNOT BE REMOVED TO A SAFE WORK LOCATION.**
- (3) **DRAWOUT CIRCUIT BREAKERS SHOULD BE LEVERED (RACKED) OUT TO THE DISCONNECT POSITION.**
- (4) **ALL CIRCUIT BREAKERS SHOULD BE SWITCHED TO THE OFF POSITION AND MECHANISM SPRINGS DISCHARGED.**

**FAILURE TO FOLLOW THESE STEPS FOR ALL PROCEDURES DESCRIBED IN THIS INSTRUCTION LEAFLET COULD RESULT IN DEATH, BODILY INJURY, OR PROPERTY DAMAGE.**

### Section 1: General information

Upon the completion of charging, the closing release enables the energy stored within the operating mechanism to be released instantaneously, allowing the circuit breaker to close.

### Tools required

- Phillips screwdriver

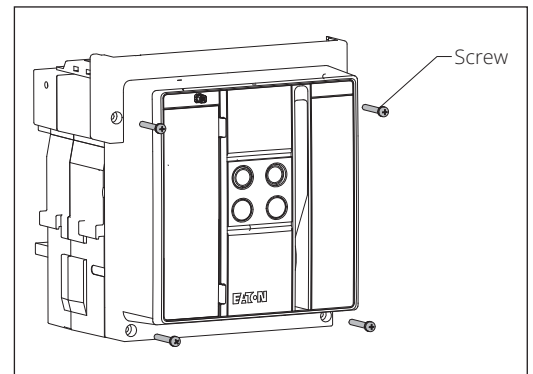
### Kit parts identification

- Closing release (1)

### Section 2: Installing the closing release

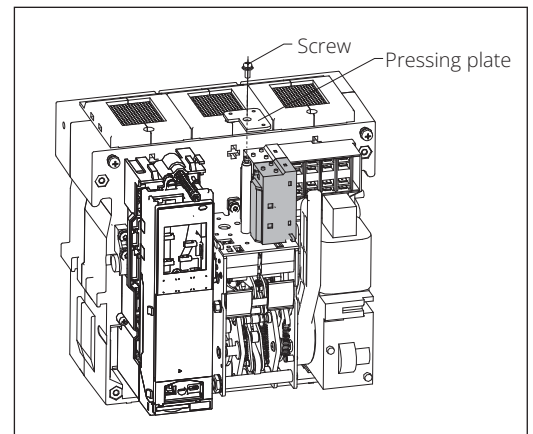
Follow below steps for installation:

Step 1: Remove the mounting screws from the circuit breaker panel with the Phillips screwdriver. Pull down the charging handle (by an approx. 45° angle) to remove the cover.



**Figure 1. Step 1**

Step 2: Mount the closing release to the right outer side of the manual operating mechanism cover, secure it with the pressing plate (the round hole in the pressing plate should be aligned with the round convex surface of the release) and assemble the screws.



**Figure 2. Step 2**

Step 3: Connect the two conductors of the closing release to Terminal 38 and 39 respectively.

Step 4: Put the cover back on.

# EATON

Powering Business Worldwide

## Disclaimer of warranties and limitation of liability

The information, recommendations, descriptions, and safety notations in this document are based on Eaton Corporation's ("Eaton") experience and judgment, and may not cover all contingencies. If further information is required, an Eaton sales office should be consulted.

Sale of the product shown in this literature is subject to the terms and conditions outlined in appropriate Eaton selling policies or other contractual agreement between Eaton and the purchaser.

THERE ARE NO UNDERSTANDINGS, AGREEMENTS, WARRANTIES, EXPRESSED OR IMPLIED, INCLUDING WARRANTIES OF FITNESS FOR A PARTICULAR PURPOSE OR MERCHANTABILITY, OTHER THAN THOSE SPECIFICALLY SET OUT IN ANY EXISTING CONTRACT BETWEEN THE PARTIES. ANY SUCH CONTRACT STATES THE ENTIRE OBLIGATION OF EATON. THE CONTENTS OF THIS DOCUMENT SHALL NOT BECOME PART OF OR MODIFY ANY CONTRACT BETWEEN THE PARTIES.

In no event will Eaton be responsible to the purchaser or user in contract, in tort (including negligence), strict liability, or otherwise for any special, indirect, incidental, or consequential damage or loss whatsoever, including but not limited to damage or loss of use of equipment, plant or power system, cost of capital, loss of power, additional expenses in the use of existing power facilities, or claims against the purchaser or user by its customers resulting from the use of the information, recommendations, and descriptions contained herein.

The information contained in this manual is subject to change without notice.

**Eaton Corporation**  
**Asia Pacific Headquarter**  
No.3, Lane 280, Linhong Road,  
Changning District,  
Shanghai 200335  
Tel: 86-21-52000099  
Fax: 86-21-52000200

© 2023 Eaton  
All Rights Reserved  
Printed in China  
Publication No. IL0131205EN  
March 2023

Eaton is a registered Trademark.

All other trademarks are property of their respective owners.