

The next generation of electronic motor starters and frequency inverters



RASP5



RAMO5



Powering Business Worldwide

Rapid Link 5

Decentralized electronic drive system

Whether it's baggage handling systems at airports, parcel distribution systems or production logistics: Rapid Link 5 offers the right solution for a wide range of material handling applications. Rapid Link 5, the latest addition to the PowerXL™ family, takes the success of this series (which was first launched in 2004) to the next level by enabling integration into modern Internet of Things (IoT) applications.

Rapid Link 5 consists of two product lines: the RAMO5 motor starter, as a direct and reversing starter, and the RASP5 frequency inverter, which is used for variable speed control.

System properties

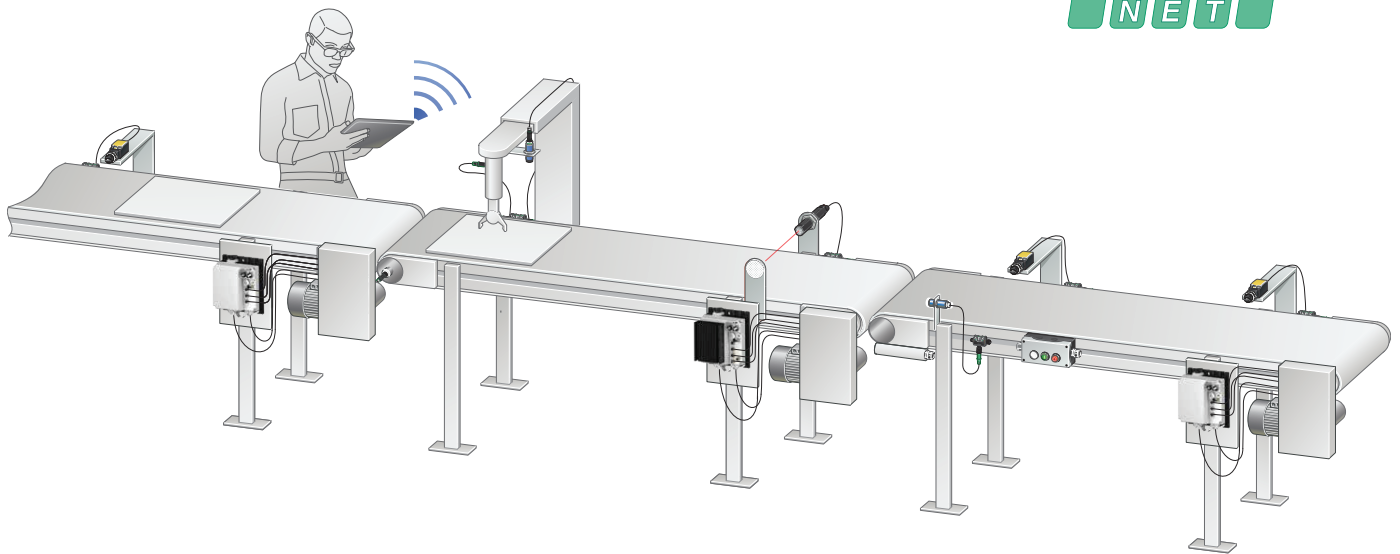
- Switching and protection of 3~ AC 400/480V motors
- Communication via AS-Interface, PROFINET, or Ethernet/IP fieldbus for remote maintenance and data transparency
- Quick and error-free installation with plug-in connections
- Integrated manual/automatic mode for easy handling during commissioning and in the event of a fault
- Identical footprint and drilling pattern for all types and performances classes
- Sensor inputs for signal transmission via fieldbus or for direct signal processing in the device
- Quick stop: Direct processing of sensor signals in the device - no need for a PLC
- Optional switch-disconnector with padlock for interlocking
- Rugged design with IP65 protection for use in harsh environments



Wide range of fieldbus systems

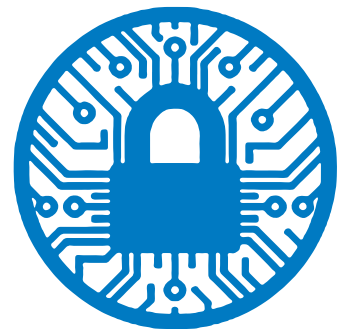
Rapid Link 5 forms an integrated system and covers the AS-Interface, Profinet and Ethernet/IP fieldbus systems. Integration into IoT solutions is therefore possible without any problems.

The high level of data transparency down to the device level allows for the implementation of remote maintenance and comprehensive power management.



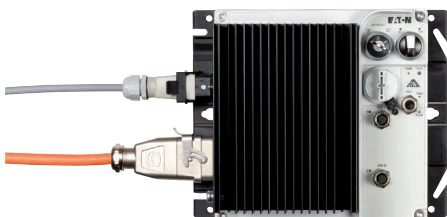
All security concerns have been addressed

Eaton ensures that the latest data protection regulations are met, and that your data are protected against any unauthorized access. This entails minimizing the risk of cyberattacks and readiness for compliance with future cyber security standards.



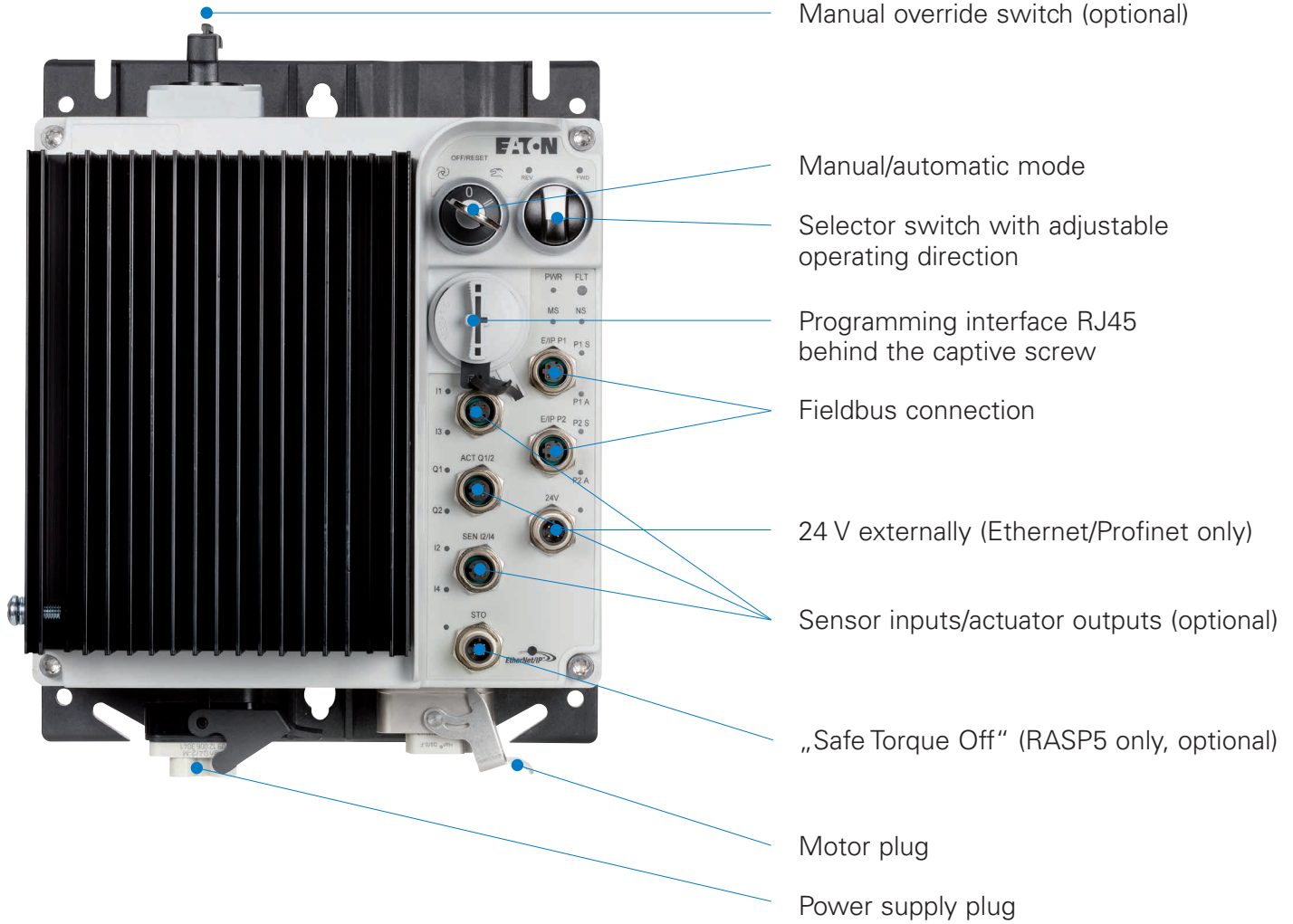
Flexible mounting options

The power supply and the motor connection can be implemented from the right, left or bottom, thanks to the rotatable device base. The installation of the Rapid Link 5 system is flexible and saves space, for optimal alignment with the requirements of the application at hand.



Device functions

Overview of the Rapid Link 5 functions, based on the example of the RASP5



Flexible commissioning

With 14 basic parameters, the Rapid Link 5 devices are easy to handle. The configuration of the devices is quick and easy thanks to the uniform PowerXL tools.

COM-Stick 3 communication stick

With the DX-COM-STICK3 communication stick, transferring parameters from your laptop to Rapid Link 5 via Bluetooth is quick and easy.

And you can just as easily use the stick to copy parameter sets from one frequency inverter to another. The stick is your ideal aid, especially for series applications.



RASP5 variable frequency drive

- A single size covers the entire performance range from 0.75 kW to 4 kW
- Precise and reliable operation of standard asynchronous motors, high-efficiency permanent magnet motors, synchronous reluctance motors as well as brushless DC motors
- Integrated EMC filter
- Integrated braking resistor for dynamic or lifting applications
- Sensorless vector control
- Built-in STO (safe torque off) safety function
- Approvals: CE, cUL



RAMO5 motor starter

- Direct and reverse starter
- Programmable motor protection from 90 W to 3.0 kW (400 V) with only one device
- Lifespan of more than 10 million cycles
- Approvals: CE, cUL, CCC



Compatible with Eaton's external keypad

Eaton's external keypads provide full access to all RAMO and RASP parameters. In addition, they can also be used to monitor system values (current values, fault history, etc.).

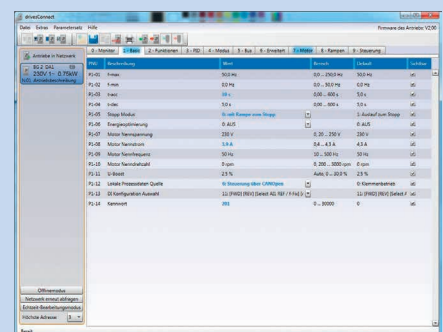
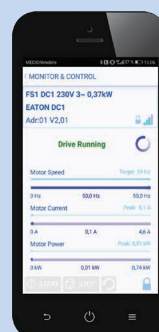
The high-resolution OLED keypad also supports plain text display and multiple languages.








Eaton's drivesConnect mobile app

Eaton's drivesConnect mobile app turns any smartphone or tablet into a human-machine interface, for easy configuration, control and monitoring.

Download the software and the drivesConnect app: www.eaton.eu/rapidlink

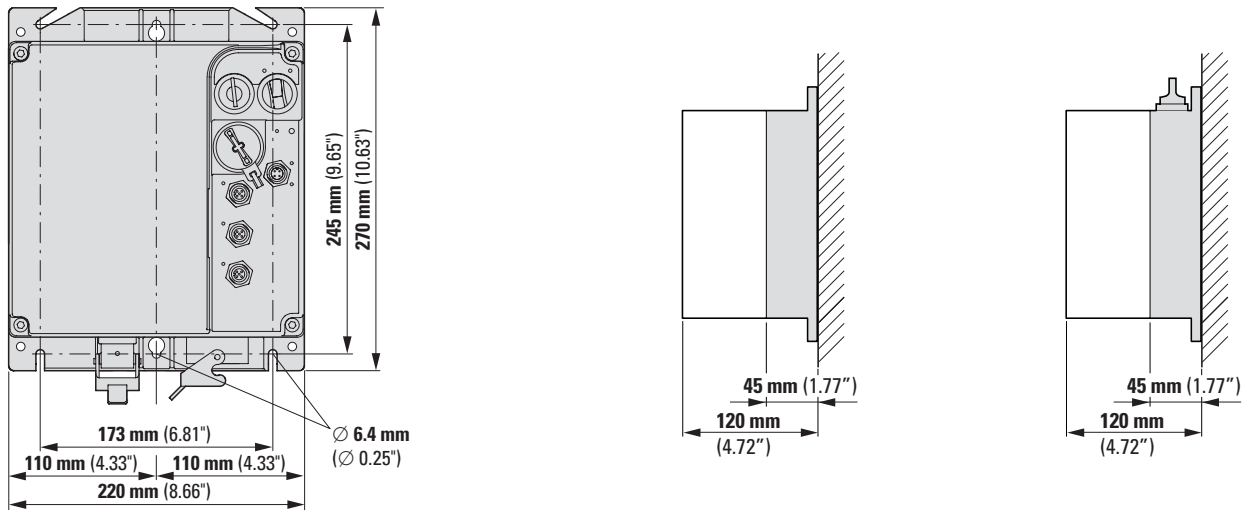


Technical Data

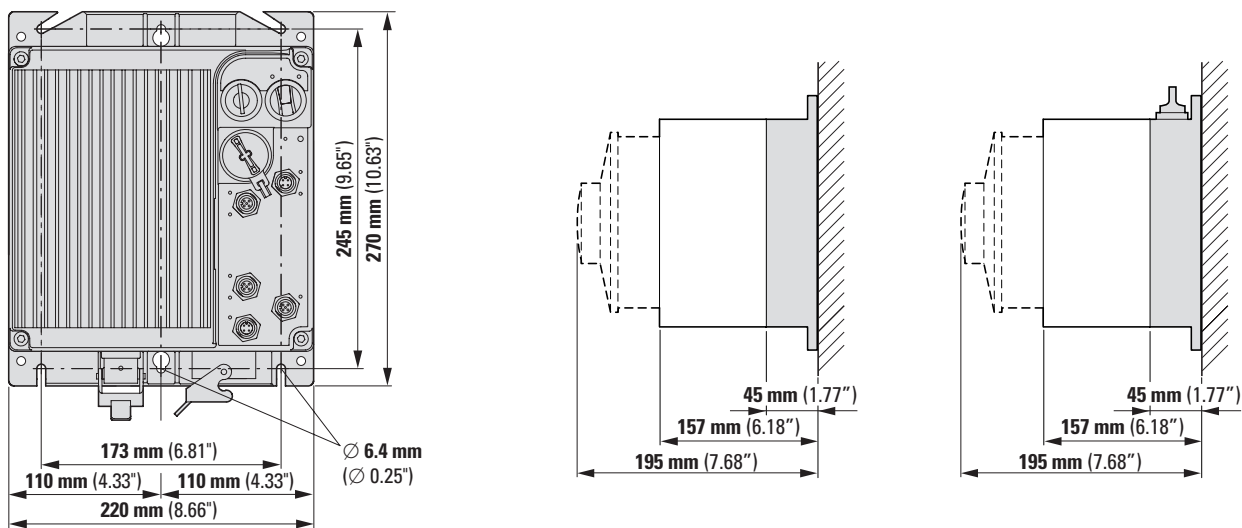
	RAMO5	RASP5				
Standards	IEC/EN 60947-4-2 UL 60947-4-2	IEC/EN 61800-3 UL 61800-3				
Supply voltage	3 AC 400/480 V					
Power line frequency	50/60 Hz ± 10 %					
Assigned motor rating	DOL starter 0.09 – 3.0 kW 0.125 – 3 HP	Reversing starter 0.09 – 3.0 kW0, 125 – 3 HP	0.75 kW 1.0 HP	1.5 kW 2.0 HP	2.2 kW 3.0 HP	4.0 kW 5.0 HP
Rated operational current	6.6 A		2.4 A	4.3 A	5.6 A	8.5 A
Ambient temperature range	- 10 - + 40°C		- 10 - + 40°C			
Control voltage for electromagnetic holding brake (optional)	230/277 V AC 400/480 V AC 180/215 V DC					
Integrated EMC filter	Category C3: 25 m, shielded motor cable					
Functional safety (optional)	STO (Safe Torque Off) SIL3, PL e					
Repair and maintenance switch (optional)	Integrated					
Internal brake resistor (optional)	Integrated					
Operating elements for manual/automatic mode	Integrated					
Fieldbus (optional)	AS-Interface, Profinet, Ethernet/IP					
Sensor inputs	AS-Interface: 2 Ethernet/Profinet: 4					
Actuator outputs	AS-Interface: 1 (RAMO5) Ethernet/Profinet: 2					
Degree of protection	IP65 NEMA 12					
International standards	  		 			

Dimensions

RAM05



RASP5



Latest information on the Rapid Link 5 range is available in the Eaton Online Catalogue

<https://ecat.eaton.com>



At Eaton, we're energized by the challenge of powering a world that demands more. With over 100 years experience in electrical power management, we have the expertise to see beyond today. From groundbreaking products to turnkey design and engineering services, critical industries around the globe count on Eaton.

We power businesses with reliable, efficient and safe electrical power management solutions. Combined with our personal service, support and bold thinking, we are answering tomorrow's needs today. Follow the charge with Eaton. Visit eaton.eu.

To contact an Eaton salesperson or local distributor/agent, please visit www.eaton.eu/electrical/customersupport

Changes to the products, to the information contained in this document, and to prices are reserved; so are errors and omissions. Only order confirmations and technical documentation by Eaton is binding. Photos and pictures also do not warrant a specific layout or functionality. Their use in whatever form is subject to prior approval by Eaton. The same applies to Trademarks (especially Eaton, Moeller, Cutler-Hammer, Cooper, Bussmann). The Terms and Conditions of Eaton apply, as referenced on Eaton internet pages and Eaton order confirmations.

Eaton Industries GmbH
Hein-Moeller-Str. 7-11
D-53115 Bonn/ Germany

© 2020 by Eaton Corporation
All rights reserved
Publication No: BR040014EN
August 2020

Eaton is a registered trademark of Eaton Corporation.

All other trademarks are property of their respective owners.



Powering Business Worldwide