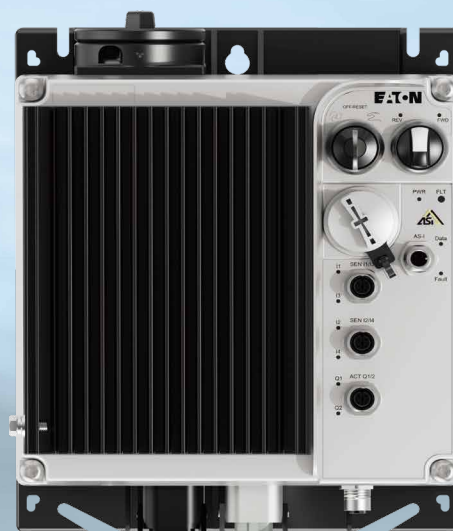
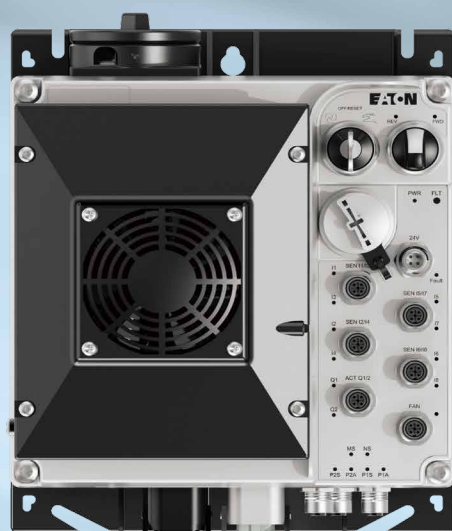


PowerXL系列
分布式驱动器Rapid Link 5X

Rapid Link 5X

RASP5X
产品样本

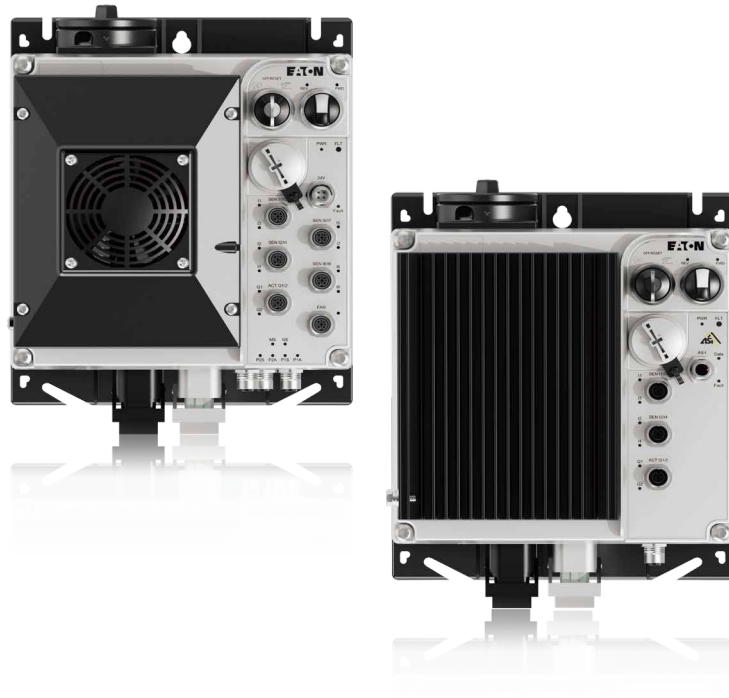


EATON

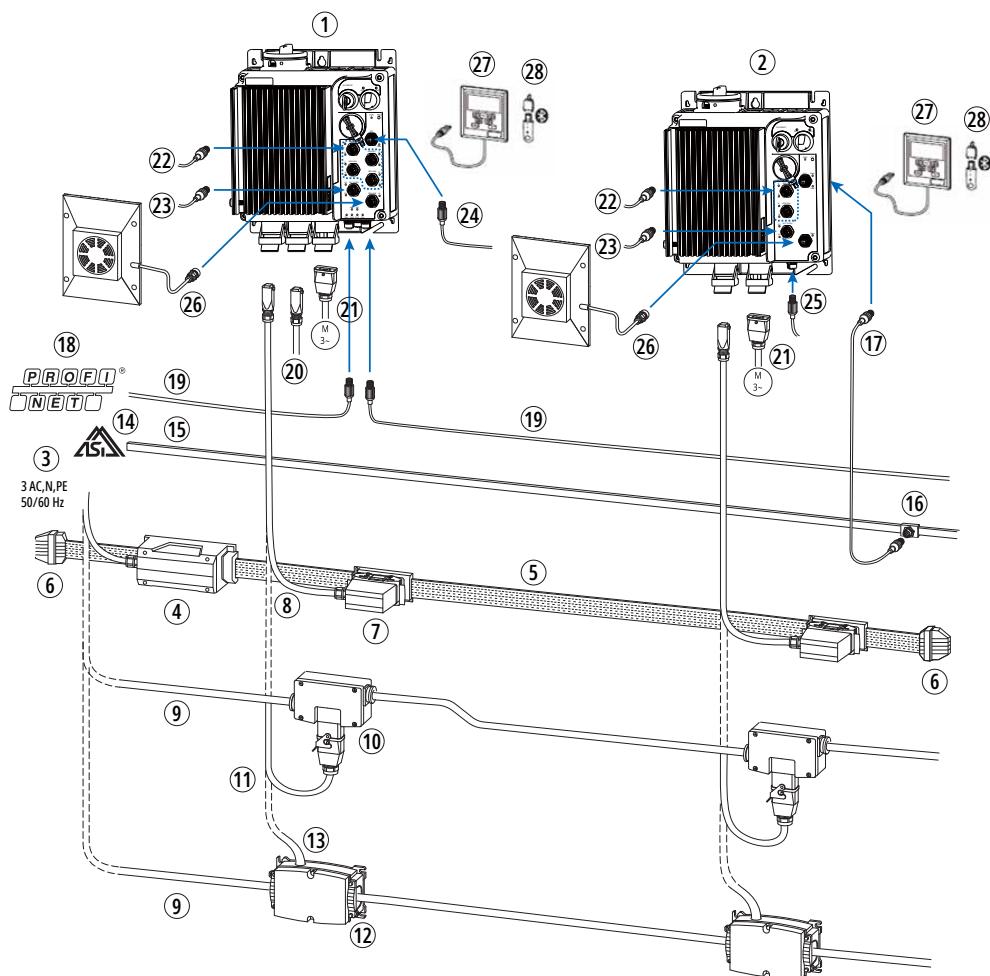
Powering Business Worldwide

目录

Rapid Link 5X	系统概览	3
	产品型号说明.....	4
	变频器 RASP 5X	5
	带 AS-Interface 通信.....	5
	带 Profinet 通信	9
	附件.....	13
	尺寸.....	16



系统概览



Rapid Link 5X产品:

- 1) PROFINET 通讯版本
- 2) AS-Interface通讯版本

动力母线:

- 3) 供电电源 (3 AC N/PE 400/480 V, 50/60 Hz)
- 4) 扁平电缆供电连接器
- 5) 400V 扁平电缆
- 6) 扁平电缆终端
- 7) 扁平电缆连接器
- 8) 至扁平电缆连接器的电源连接电缆 (变频器侧电源插头默认Q4/2)
- 9) 400V 圆形电缆
- 10) 圆形电缆连接器
- 11) 至圆形电缆连接器的电源连接电缆 (变频器侧电源插头默认Q4/2)
- 12) 圆形电缆连接器(Powerbox)
- 13) 至Powerbox的电源连接电缆 (变频器侧电源插头默认Q4/2)

通讯数据总线:

- 14) AS-Interface
- 15) AS-Interface电缆
- 16) M12连接器
- 17) 带M12 插头的电缆
- 18) PROFINET
- 19) PROFINET通讯电缆, 带M12插头

电源及马达连接:

- 20) 菊花链电源插头 (非标选项, 详询工厂)
- 21) 马达插头及电缆 (Q8)

信号连接及附件:

- 22) DI信号连接, 带 M12 插头连接器
- 23) DO信号连接, 带 M12 插头连接器
- 24) 外部24V电源连接
- 25) 编码器闭环信号连接 (非标选项, 详询工厂)
- 26) 风扇连接 (3/4/5.5kW标配)
- 27) 外置键盘附件 (选件, 需单独购买, 规划中)
- 28) 蓝牙通讯附件 (选件, 需单独购买, 规划中)

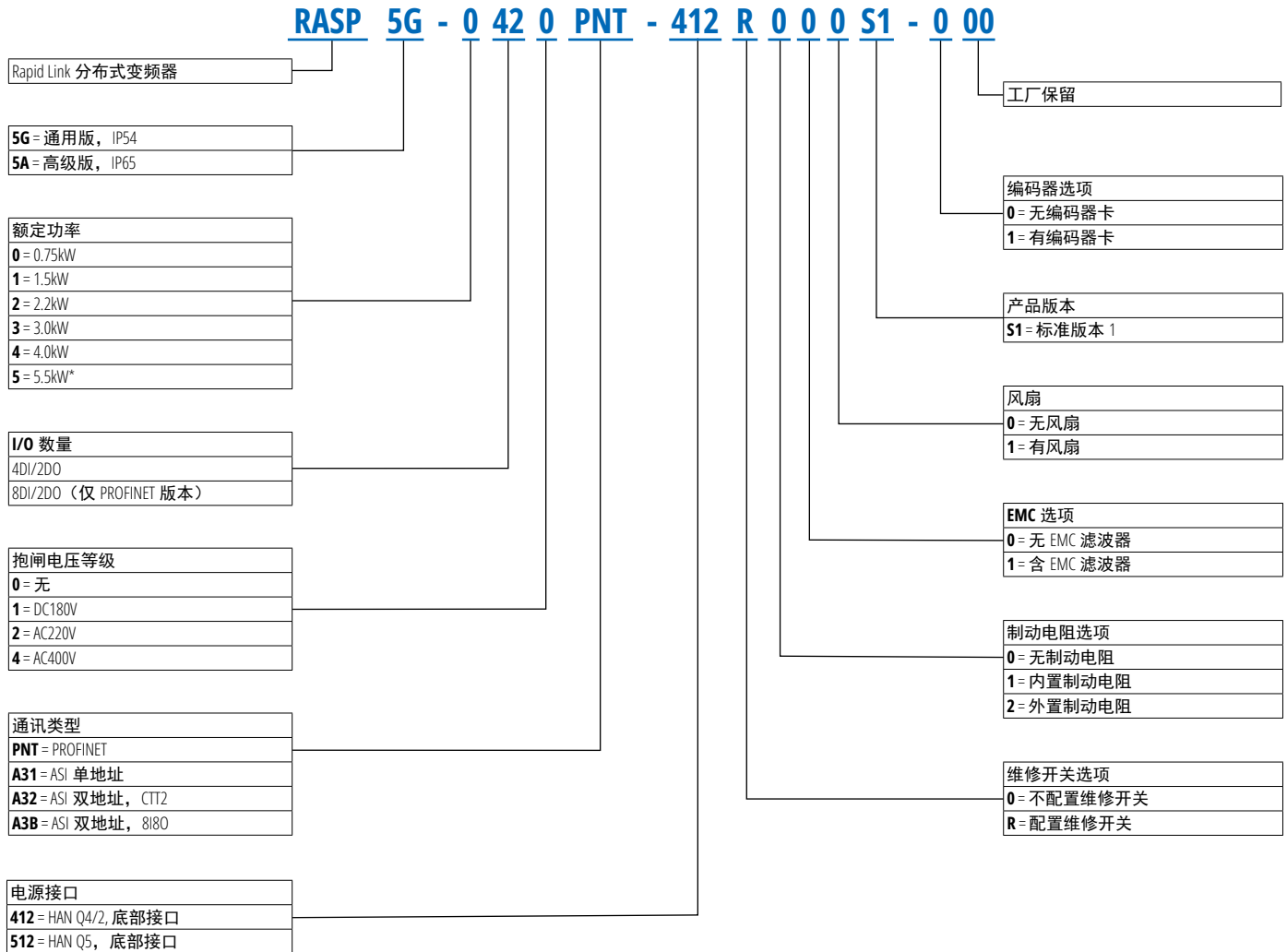
数据概览 4

PowerXL Rapid Link 5X

产品型号说明

RASP5X

变频器



* 5.5kW 产品将于2024年四季度上市

AS-Interface

通用版, IP54

无内部制动电阻

带内部制动电阻

	额定 电流 (A)	额定 功率 (kW)	抱闸 控制 电压	无维修开关	带维修开关	无维修开关	带维修开关
4DI/2DO	3	0.75	-	RASP5G-0420A31-412000S1-000	RASP5G-0420A31-412R000S1-000	RASP5G-0420A31-4120100S1-000	RASP5G-0420A31-412R100S1-000
				CDVRL00073	CDVRL00001	CDVRL00097	CDVRL00025
DC180V				RASP5G-0421A31-412000S1-000	RASP5G-0421A31-412R000S1-000	RASP5G-0421A31-4120100S1-000	RASP5G-0421A31-412R100S1-000
				CDVRL00079	CDVRL00007	CDVRL00103	CDVRL00031
AC220V				RASP5G-0422A31-412000S1-000	RASP5G-0422A31-412R000S1-000	RASP5G-0422A31-4120100S1-000	RASP5G-0422A31-412R100S1-000
				CDVRL00085	CDVRL00013	CDVRL00109	CDVRL00037
AC400V				RASP5G-0424A31-412000S1-000	RASP5G-0424A31-412R000S1-000	RASP5G-0424A31-4120100S1-000	RASP5G-0424A31-412R100S1-000
				CDVRL00091	CDVRL00019	CDVRL00115	CDVRL00043
4	1.5	-	-	RASP5G-1420A31-412000S1-000	RASP5G-1420A31-412R000S1-000	RASP5G-1420A31-4120100S1-000	RASP5G-1420A31-412R100S1-000
				CDVRL00074	CDVRL00002	CDVRL00098	CDVRL00026
DC180V				RASP5G-1421A31-412000S1-000	RASP5G-1421A31-412R000S1-000	RASP5G-1421A31-4120100S1-000	RASP5G-1421A31-412R100S1-000
				CDVRL00080	CDVRL00008	CDVRL00104	CDVRL00032
AC220V				RASP5G-1422A31-412000S1-000	RASP5G-1422A31-412R000S1-000	RASP5G-1422A31-4120100S1-000	RASP5G-1422A31-412R100S1-000
				CDVRL00086	CDVRL00014	CDVRL00110	CDVRL00038
AC400V				RASP5G-1424A31-412000S1-000	RASP5G-1424A31-412R000S1-000	RASP5G-1424A31-4120100S1-000	RASP5G-1424A31-412R100S1-000
				CDVRL00092	CDVRL00020	CDVRL00116	CDVRL00044
5.6	2.2	-	-	RASP5G-2420A31-412000S1-000	RASP5G-2420A31-412R000S1-000	RASP5G-2420A31-4120100S1-000	RASP5G-2420A31-412R100S1-000
				CDVRL00075	CDVRL00003	CDVRL00099	CDVRL00027
DC180V				RASP5G-2421A31-412000S1-000	RASP5G-2421A31-412R000S1-000	RASP5G-2421A31-4120100S1-000	RASP5G-2421A31-412R100S1-000
				CDVRL00081	CDVRL00009	CDVRL00105	CDVRL00033
AC220V				RASP5G-2422A31-412000S1-000	RASP5G-2422A31-412R000S1-000	RASP5G-2422A31-4120100S1-000	RASP5G-2422A31-412R100S1-000
				CDVRL00087	CDVRL00015	CDVRL00111	CDVRL00039
AC400V				RASP5G-2424A31-412000S1-000	RASP5G-2424A31-412R000S1-000	RASP5G-2424A31-4120100S1-000	RASP5G-2424A31-412R100S1-000
				CDVRL00093	CDVRL00021	CDVRL00117	CDVRL00045
7.7	3	-	-	RASP5G-3420A31-412000S1-000	RASP5G-3420A31-412R000S1-000	RASP5G-3420A31-4120101S1-000	RASP5G-3420A31-412R101S1-000
				CDVRL00076	CDVRL00004	CDVRL00100	CDVRL00028
DC180V				RASP5G-3421A31-412000S1-000	RASP5G-3421A31-412R000S1-000	RASP5G-3421A31-4120101S1-000	RASP5G-3421A31-412R101S1-000
				CDVRL00082	CDVRL00010	CDVRL00106	CDVRL00034
AC220V				RASP5G-3422A31-412000S1-000	RASP5G-3422A31-412R000S1-000	RASP5G-3422A31-4120101S1-000	RASP5G-3422A31-412R101S1-000
				CDVRL00088	CDVRL00016	CDVRL00112	CDVRL00040
AC400V				RASP5G-3424A31-412000S1-000	RASP5G-3424A31-412R000S1-000	RASP5G-3424A31-4120101S1-000	RASP5G-3424A31-412R101S1-000
				CDVRL00094	CDVRL00022	CDVRL00118	CDVRL00046
9.5	4	-	-	RASP5G-4420A31-412000S1-000	RASP5G-4420A31-412R000S1-000	RASP5G-4420A31-4120101S1-000	RASP5G-4420A31-412R101S1-000
				CDVRL00077	CDVRL00005	CDVRL00101	CDVRL00029
DC180V				RASP5G-4421A31-412000S1-000	RASP5G-4421A31-412R000S1-000	RASP5G-4421A31-4120101S1-000	RASP5G-4421A31-412R101S1-000
				CDVRL00083	CDVRL00011	CDVRL00107	CDVRL00035
AC220V				RASP5G-4422A31-412000S1-000	RASP5G-4422A31-412R000S1-000	RASP5G-4422A31-4120101S1-000	RASP5G-4422A31-412R101S1-000
				CDVRL00089	CDVRL00017	CDVRL00113	CDVRL00041
AC400V				RASP5G-4424A31-412000S1-000	RASP5G-4424A31-412R000S1-000	RASP5G-4424A31-4120101S1-000	RASP5G-4424A31-412R101S1-000
				CDVRL00095	CDVRL00023	CDVRL00119	CDVRL00047
13	5.5*	-	-	RASP5G-5420A31-412000S1-000	RASP5G-5420A31-412R000S1-000	RASP5G-5420A31-4120101S1-000	RASP5G-5420A31-412R101S1-000
				CDVRL00078	CDVRL00006	CDVRL00102	CDVRL00030
DC180V				RASP5G-5421A31-412000S1-000	RASP5G-5421A31-412R000S1-000	RASP5G-5421A31-4120101S1-000	RASP5G-5421A31-412R101S1-000
				CDVRL00084	CDVRL00012	CDVRL00108	CDVRL00036
AC220V				RASP5G-5422A31-412000S1-000	RASP5G-5422A31-412R000S1-000	RASP5G-5422A31-4120101S1-000	RASP5G-5422A31-412R101S1-000
				CDVRL00090	CDVRL00018	CDVRL00114	CDVRL00042
AC400V				RASP5G-5424A31-412000S1-000	RASP5G-5424A31-412R000S1-000	RASP5G-5424A31-4120101S1-000	RASP5G-5424A31-412R101S1-000
				CDVRL00096	CDVRL00024	CDVRL00120	CDVRL00048

* 5.5kW产品将于2024年四季度上市

AS-Interface

无内部制动电阻

带内部制动电阻

高级版, IP65

	额定 电流 (A)	额定 功率 (kW)	抱闸 控制 电压	无维修开关	带维修开关	无维修开关	带维修开关	
4DI/2DO	3	0.75	-	RASP5A-0420A31-4120010S1-000	RASP5A-0420A31-412R010S1-000	RASP5A-0420A31-4120110S1-000	RASP5A-0420A31-412R110S1-000	
				CDVRL10073	CDVRL10001	CDVRL10097	CDVRL10025	
				DC180V	RASP5A-0421A31-4120010S1-000	RASP5A-0421A31-412R010S1-000	RASP5A-0421A31-4120110S1-000	RASP5A-0421A31-412R110S1-000
				CDVRL10079	CDVRL10007	CDVRL10103	CDVRL10031	
				AC220V	RASP5A-0422A31-4120010S1-000	RASP5A-0422A31-412R010S1-000	RASP5A-0422A31-4120110S1-000	RASP5A-0422A31-412R110S1-000
				CDVRL10085	CDVRL10013	CDVRL10109	CDVRL10037	
	AC400V	RASP5A-0424A31-4120010S1-000	RASP5A-0424A31-412R010S1-000	RASP5A-0424A31-4120110S1-000	RASP5A-0424A31-412R110S1-000			
	CDVRL10091	CDVRL10019	CDVRL10115	CDVRL10043				
	4	1.5	-	RASP5A-1420A31-4120010S1-000	RASP5A-1420A31-412R010S1-000	RASP5A-1420A31-4120110S1-000	RASP5A-1420A31-412R110S1-000	
				CDVRL10074	CDVRL10002	CDVRL10098	CDVRL10026	
				DC180V	RASP5A-1421A31-4120010S1-000	RASP5A-1421A31-412R010S1-000	RASP5A-1421A31-4120110S1-000	RASP5A-1421A31-412R110S1-000
				CDVRL10080	CDVRL10008	CDVRL10104	CDVRL10032	
AC220V				RASP5A-1422A31-4120010S1-000	RASP5A-1422A31-412R010S1-000	RASP5A-1422A31-4120110S1-000	RASP5A-1422A31-412R110S1-000	
CDVRL10086				CDVRL10014	CDVRL10110	CDVRL10038		
AC400V	RASP5A-1424A31-4120010S1-000	RASP5A-1424A31-412R010S1-000	RASP5A-1424A31-4120110S1-000	RASP5A-1424A31-412R110S1-000				
CDVRL10092	CDVRL10020	CDVRL10116	CDVRL10044					
5.6	2.2	-	RASP5A-2420A31-4120010S1-000	RASP5A-2420A31-412R010S1-000	RASP5A-2420A31-4120110S1-000	RASP5A-2420A31-412R110S1-000		
			CDVRL10075	CDVRL10003	CDVRL10099	CDVRL10027		
			DC180V	RASP5A-2421A31-4120010S1-000	RASP5A-2421A31-412R010S1-000	RASP5A-2421A31-4120110S1-000	RASP5A-2421A31-412R110S1-000	
			CDVRL10081	CDVRL10009	CDVRL10105	CDVRL10033		
			AC220V	RASP5A-2422A31-4120010S1-000	RASP5A-2422A31-412R010S1-000	RASP5A-2422A31-4120110S1-000	RASP5A-2422A31-412R110S1-000	
			CDVRL10087	CDVRL10015	CDVRL10111	CDVRL10039		
	AC400V	RASP5A-2424A31-4120010S1-000	RASP5A-2424A31-412R010S1-000	RASP5A-2424A31-4120110S1-000	RASP5A-2424A31-412R110S1-000			
	CDVRL10093	CDVRL10021	CDVRL10117	CDVRL10045				
	7.7	3	-	RASP5A-3420A31-4120011S1-000	RASP5A-3420A31-412R011S1-000	RASP5A-3420A31-4120111S1-000	RASP5A-3420A31-412R111S1-000	
				CDVRL10076	CDVRL10004	CDVRL10100	CDVRL10028	
				DC180V	RASP5A-3421A31-4120011S1-000	RASP5A-3421A31-412R011S1-000	RASP5A-3421A31-4120111S1-000	RASP5A-3421A31-412R111S1-000
				CDVRL10082	CDVRL10010	CDVRL10106	CDVRL10034	
AC220V				RASP5A-3422A31-4120011S1-000	RASP5A-3422A31-412R011S1-000	RASP5A-3422A31-4120111S1-000	RASP5A-3422A31-412R111S1-000	
CDVRL10088				CDVRL10016	CDVRL10112	CDVRL10040		
AC400V	RASP5A-3424A31-4120011S1-000	RASP5A-3424A31-412R011S1-000	RASP5A-3424A31-4120111S1-000	RASP5A-3424A31-412R111S1-000				
CDVRL10094	CDVRL10022	CDVRL10118	CDVRL10046					
9.5	4	-	RASP5A-4420A31-4120011S1-000	RASP5A-4420A31-412R011S1-000	RASP5A-4420A31-4120111S1-000	RASP5A-4420A31-412R111S1-000		
			CDVRL10077	CDVRL10005	CDVRL10101	CDVRL10029		
			DC180V	RASP5A-4421A31-4120011S1-000	RASP5A-4421A31-412R011S1-000	RASP5A-4421A31-4120111S1-000	RASP5A-4421A31-412R111S1-000	
			CDVRL10083	CDVRL10011	CDVRL10107	CDVRL10035		
			AC220V	RASP5A-4422A31-4120011S1-000	RASP5A-4422A31-412R011S1-000	RASP5A-4422A31-4120111S1-000	RASP5A-4422A31-412R111S1-000	
			CDVRL10089	CDVRL10017	CDVRL10113	CDVRL10041		
	AC400V	RASP5A-4424A31-4120011S1-000	RASP5A-4424A31-412R011S1-000	RASP5A-4424A31-4120111S1-000	RASP5A-4424A31-412R111S1-000			
	CDVRL10095	CDVRL10023	CDVRL10119	CDVRL10047				
	13	5.5*	-	RASP5A-5420A31-4120011S1-000	RASP5A-5420A31-412R011S1-000	RASP5A-5420A31-4120111S1-000	RASP5A-5420A31-412R111S1-000	
				CDVRL10078	CDVRL10006	CDVRL10102	CDVRL10030	
				DC180V	RASP5A-5421A31-4120011S1-000	RASP5A-5421A31-412R011S1-000	RASP5A-5421A31-4120111S1-000	RASP5A-5421A31-412R111S1-000
				CDVRL10084	CDVRL10012	CDVRL10108	CDVRL10036	
AC220V				RASP5A-5422A31-4120011S1-000	RASP5A-5422A31-412R011S1-000	RASP5A-5422A31-4120111S1-000	RASP5A-5422A31-412R111S1-000	
CDVRL10090				CDVRL10018	CDVRL10114	CDVRL10042		
AC400V	RASP5A-5424A31-4120011S1-000	RASP5A-5424A31-412R011S1-000	RASP5A-5424A31-4120111S1-000	RASP5A-5424A31-412R111S1-000				
CDVRL10096	CDVRL10024	CDVRL10120	CDVRL10048					

* 5.5kW产品将于2024年四季度上市

AS-Interface

高级版, IP65, 双 ASI, CTT2

额定 额定 抱闸
电流 功率 控制
(A) (kW) 电压

无内部制动电阻

无维修开关

带维修开关

带内部制动电阻

无维修开关

带维修开关

4DI/2DO	3	0.75	-	RASP5A-0420A32-4120010S1-000	RASP5A-0420A32-412R010S1-000	RASP5A-0420A32-4120110S1-000	RASP5A-0420A32-412R110S1-000
				CDVRL10769	CDVRL10721	CDVRL10793	CDVRL10745
AC180V				RASP5A-0421A32-4120010S1-000	RASP5A-0421A32-412R010S1-000	RASP5A-0421A32-4120110S1-000	RASP5A-0421A32-412R110S1-000
				CDVRL10775	CDVRL10727	CDVRL10799	CDVRL10751
AC220V				RASP5A-0422A32-4120010S1-000	RASP5A-0422A32-412R010S1-000	RASP5A-0422A32-4120110S1-000	RASP5A-0422A32-412R110S1-000
				CDVRL10781	CDVRL10733	CDVRL10805	CDVRL10757
AC400V				RASP5A-0424A32-4120010S1-000	RASP5A-0424A32-412R010S1-000	RASP5A-0424A32-4120110S1-000	RASP5A-0424A32-412R110S1-000
				CDVRL10787	CDVRL10739	CDVRL10811	CDVRL10763
4	1.5	-	-	RASP5A-1420A32-4120010S1-000	RASP5A-1420A32-412R010S1-000	RASP5A-1420A32-4120110S1-000	RASP5A-1420A32-412R110S1-000
				CDVRL10770	CDVRL10722	CDVRL10794	CDVRL10746
AC180V				RASP5A-1421A32-4120010S1-000	RASP5A-1421A32-412R010S1-000	RASP5A-1421A32-4120110S1-000	RASP5A-1421A32-412R110S1-000
				CDVRL10776	CDVRL10728	CDVRL10800	CDVRL10752
AC220V				RASP5A-1422A32-4120010S1-000	RASP5A-1422A32-412R010S1-000	RASP5A-1422A32-4120110S1-000	RASP5A-1422A32-412R110S1-000
				CDVRL10782	CDVRL10734	CDVRL10806	CDVRL10758
AC400V				RASP5A-1424A32-4120010S1-000	RASP5A-1424A32-412R010S1-000	RASP5A-1424A32-4120110S1-000	RASP5A-1424A32-412R110S1-000
				CDVRL10788	CDVRL10740	CDVRL10812	CDVRL10764
6	2.2	-	-	RASP5A-2420A32-4120010S1-000	RASP5A-2420A32-412R010S1-000	RASP5A-2420A32-4120110S1-000	RASP5A-2420A32-412R110S1-000
				CDVRL10771	CDVRL10723	CDVRL10795	CDVRL10747
AC180V				RASP5A-2421A32-4120010S1-000	RASP5A-2421A32-412R010S1-000	RASP5A-2421A32-4120110S1-000	RASP5A-2421A32-412R110S1-000
				CDVRL10777	CDVRL10729	CDVRL10801	CDVRL10753
AC220V				RASP5A-2422A32-4120010S1-000	RASP5A-2422A32-412R010S1-000	RASP5A-2422A32-4120110S1-000	RASP5A-2422A32-412R110S1-000
				CDVRL10783	CDVRL10735	CDVRL10807	CDVRL10759
AC400V				RASP5A-2424A32-4120010S1-000	RASP5A-2424A32-412R010S1-000	RASP5A-2424A32-4120110S1-000	RASP5A-2424A32-412R110S1-000
				CDVRL10789	CDVRL10741	CDVRL10813	CDVRL10765
7.7	3	-	-	RASP5A-3420A32-4120011S1-000	RASP5A-3420A32-412R011S1-000	RASP5A-3420A32-4120111S1-000	RASP5A-3420A32-412R111S1-000
				CDVRL10772	CDVRL10724	CDVRL10796	CDVRL10748
AC180V				RASP5A-3421A32-4120011S1-000	RASP5A-3421A32-412R011S1-000	RASP5A-3421A32-4120111S1-000	RASP5A-3421A32-412R111S1-000
				CDVRL10778	CDVRL10730	CDVRL10802	CDVRL10754
AC220V				RASP5A-3422A32-4120011S1-000	RASP5A-3422A32-412R011S1-000	RASP5A-3422A32-4120111S1-000	RASP5A-3422A32-412R111S1-000
				CDVRL10784	CDVRL10736	CDVRL10808	CDVRL10760
AC400V				RASP5A-3424A32-4120011S1-000	RASP5A-3424A32-412R011S1-000	RASP5A-3424A32-4120111S1-000	RASP5A-3424A32-412R111S1-000
				CDVRL10790	CDVRL10742	CDVRL10814	CDVRL10766
9.5	4	-	-	RASP5A-4420A32-4120011S1-000	RASP5A-4420A32-412R011S1-000	RASP5A-4420A32-4120111S1-000	RASP5A-4420A32-412R111S1-000
				CDVRL10773	CDVRL10725	CDVRL10797	CDVRL10749
AC180V				RASP5A-4421A32-4120011S1-000	RASP5A-4421A32-412R011S1-000	RASP5A-4421A32-4120111S1-000	RASP5A-4421A32-412R111S1-000
				CDVRL10779	CDVRL10731	CDVRL10803	CDVRL10755
AC220V				RASP5A-4422A32-4120011S1-000	RASP5A-4422A32-412R011S1-000	RASP5A-4422A32-4120111S1-000	RASP5A-4422A32-412R111S1-000
				CDVRL10785	CDVRL10737	CDVRL10809	CDVRL10761
AC400V				RASP5A-4424A32-4120011S1-000	RASP5A-4424A32-412R011S1-000	RASP5A-4424A32-4120111S1-000	RASP5A-4424A32-412R111S1-000
				CDVRL10791	CDVRL10743	CDVRL10815	CDVRL10767
13	5.5*	-	-	RASP5A-5420A32-4120011S1-000	RASP5A-5420A32-412R011S1-000	RASP5A-5420A32-4120111S1-000	RASP5A-5420A32-412R111S1-000
				CDVRL10774	CDVRL10726	CDVRL10798	CDVRL10750
DC180V				RASP5A-5421A32-4120011S1-000	RASP5A-5421A32-412R011S1-000	RASP5A-5421A32-4120111S1-000	RASP5A-5421A32-412R111S1-000
				CDVRL10780	CDVRL10732	CDVRL10804	CDVRL10756
AC220V				RASP5A-5422A32-4120011S1-000	RASP5A-5422A32-412R011S1-000	RASP5A-5422A32-4120111S1-000	RASP5A-5422A32-412R111S1-000
				CDVRL10786	CDVRL10738	CDVRL10810	CDVRL10762
AC400V				RASP5A-5424A32-4120011S1-000	RASP5A-5424A32-412R011S1-000	RASP5A-5424A32-4120111S1-000	RASP5A-5424A32-412R111S1-000
				CDVRL10792	CDVRL10744	CDVRL10816	CDVRL10768

AS-Interface

无内部制动电阻

带内部制动电阻

高级版, IP65, 双 ASI, 8180

		额定 电流 (A)	额定 功率 (kW)	抱闸 控制 电压	无维修开关	带维修开关	无维修开关	带维修开关	
4DI/2DO	3	0.75	-		RASP5A-0420A3B-4120010S1-000	RASP5A-0420A3B-412R010S1-000	RASP5A-0420A3B-4120110S1-000	RASP5A-0420A3B-412R110S1-000	
					CDVRL10991	CDVRL10943	CDVRL11015	CDVRL10967	
	DC180V				RASP5A-0421A3B-4120010S1-000	RASP5A-0421A3B-412R010S1-000	RASP5A-0421A3B-4120110S1-000	RASP5A-0421A3B-412R110S1-000	
					CDVRL10997	CDVRL10949	CDVRL11021	CDVRL10973	
	AC220V				RASP5A-0422A3B-4120010S1-000	RASP5A-0422A3B-412R010S1-000	RASP5A-0422A3B-4120110S1-000	RASP5A-0422A3B-412R110S1-000	
					CDVRL11003	CDVRL10955	CDVRL11027	CDVRL10979	
	AC400V				RASP5A-0424A3B-4120010S1-000	RASP5A-0424A3B-412R010S1-000	RASP5A-0424A3B-4120110S1-000	RASP5A-0424A3B-412R110S1-000	
					CDVRL11009	CDVRL10961	CDVRL11033	CDVRL10985	
	4	1.5	-			RASP5A-1420A3B-4120010S1-000	RASP5A-1420A3B-412R010S1-000	RASP5A-1420A3B-4120110S1-000	RASP5A-1420A3B-412R110S1-000
						CDVRL10992	CDVRL10944	CDVRL11016	CDVRL10968
		DC180V				RASP5A-1421A3B-4120010S1-000	RASP5A-1421A3B-412R010S1-000	RASP5A-1421A3B-4120110S1-000	RASP5A-1421A3B-412R110S1-000
						CDVRL10998	CDVRL10950	CDVRL11022	CDVRL10974
AC220V					RASP5A-1422A3B-4120010S1-000	RASP5A-1422A3B-412R010S1-000	RASP5A-1422A3B-4120110S1-000	RASP5A-1422A3B-412R110S1-000	
					CDVRL11004	CDVRL10956	CDVRL11028	CDVRL10980	
AC400V					RASP5A-1424A3B-4120010S1-000	RASP5A-1424A3B-412R010S1-000	RASP5A-1424A3B-4120110S1-000	RASP5A-1424A3B-412R110S1-000	
					CDVRL11010	CDVRL10962	CDVRL11034	CDVRL10986	
6		2.2	-			RASP5A-2420A3B-4120010S1-000	RASP5A-2420A3B-412R010S1-000	RASP5A-2420A3B-4120110S1-000	RASP5A-2420A3B-412R110S1-000
						CDVRL10993	CDVRL10945	CDVRL11017	CDVRL10969
		DC180V				RASP5A-2421A3B-4120010S1-000	RASP5A-2421A3B-412R010S1-000	RASP5A-2421A3B-4120110S1-000	RASP5A-2421A3B-412R110S1-000
						CDVRL10999	CDVRL10951	CDVRL11023	CDVRL10975
	AC220V				RASP5A-2422A3B-4120010S1-000	RASP5A-2422A3B-412R010S1-000	RASP5A-2422A3B-4120110S1-000	RASP5A-2422A3B-412R110S1-000	
					CDVRL11005	CDVRL10957	CDVRL11029	CDVRL10981	
	AC400V				RASP5A-2424A3B-4120010S1-000	RASP5A-2424A3B-412R010S1-000	RASP5A-2424A3B-4120110S1-000	RASP5A-2424A3B-412R110S1-000	
					CDVRL11011	CDVRL10963	CDVRL11035	CDVRL10987	
	7.7	3	-			RASP5A-3420A3B-4120011S1-000	RASP5A-3420A3B-412R011S1-000	RASP5A-3420A3B-4120111S1-000	RASP5A-3420A3B-412R111S1-000
						CDVRL10994	CDVRL10946	CDVRL11018	CDVRL10970
		DC180V				RASP5A-3421A3B-4120011S1-000	RASP5A-3421A3B-412R011S1-000	RASP5A-3421A3B-4120111S1-000	RASP5A-3421A3B-412R111S1-000
						CDVRL11000	CDVRL10952	CDVRL11024	CDVRL10976
AC220V					RASP5A-3422A3B-4120011S1-000	RASP5A-3422A3B-412R011S1-000	RASP5A-3422A3B-4120111S1-000	RASP5A-3422A3B-412R111S1-000	
					CDVRL11006	CDVRL10958	CDVRL11030	CDVRL10982	
AC400V					RASP5A-3424A3B-4120011S1-000	RASP5A-3424A3B-412R011S1-000	RASP5A-3424A3B-4120111S1-000	RASP5A-3424A3B-412R111S1-000	
					CDVRL11012	CDVRL10964	CDVRL11036	CDVRL10988	
9.5		4	-			RASP5A-4420A3B-4120011S1-000	RASP5A-4420A3B-412R011S1-000	RASP5A-4420A3B-4120111S1-000	RASP5A-4420A3B-412R111S1-000
						CDVRL10995	CDVRL10947	CDVRL11019	CDVRL10971
		DC180V				RASP5A-4421A3B-4120011S1-000	RASP5A-4421A3B-412R011S1-000	RASP5A-4421A3B-4120111S1-000	RASP5A-4421A3B-412R111S1-000
						CDVRL11001	CDVRL10953	CDVRL11025	CDVRL10977
	AC220V				RASP5A-4422A3B-4120011S1-000	RASP5A-4422A3B-412R011S1-000	RASP5A-4422A3B-4120111S1-000	RASP5A-4422A3B-412R111S1-000	
					CDVRL11007	CDVRL10959	CDVRL11031	CDVRL10983	
	AC400V				RASP5A-4424A3B-4120011S1-000	RASP5A-4424A3B-412R011S1-000	RASP5A-4424A3B-4120111S1-000	RASP5A-4424A3B-412R111S1-000	
					CDVRL11013	CDVRL10965	CDVRL11037	CDVRL10989	
	13	5.5*	-			RASP5A-5420A3B-4120011S1-000	RASP5A-5420A3B-412R011S1-000	RASP5A-5420A3B-4120111S1-000	RASP5A-5420A3B-412R111S1-000
						CDVRL10996	CDVRL10948	CDVRL11020	CDVRL10972
		DC180V				RASP5A-5421A3B-4120011S1-000	RASP5A-5421A3B-412R011S1-000	RASP5A-5421A3B-4120111S1-000	RASP5A-5421A3B-412R111S1-000
						CDVRL11002	CDVRL10954	CDVRL11026	CDVRL10978
AC220V					RASP5A-5422A3B-4120011S1-000	RASP5A-5422A3B-412R011S1-000	RASP5A-5422A3B-4120111S1-000	RASP5A-5422A3B-412R111S1-000	
					CDVRL11008	CDVRL10960	CDVRL11032	CDVRL10984	
AC400V					RASP5A-5424A3B-4120011S1-000	RASP5A-5424A3B-412R011S1-000	RASP5A-5424A3B-4120111S1-000	RASP5A-5424A3B-412R111S1-000	
					CDVRL11014	CDVRL10966	CDVRL11038	CDVRL10990	

* 5.5kW产品将于2024年四季度上市

PROFINET

通用版, IP54				无内部制动电阻		带内部制动电阻	
4DI/2DO	3	0.75	-	无维修开关	带维修开关	无维修开关	带维修开关
		额定 电流 (A)	额定 功率 (kW)	抱闸 控制 电压			
4DI/2DO	3	0.75	-	RASP5G-0420PNT-412000S1-000	RASP5G-0420PNT-412R00S1-000	RASP5G-0420PNT-412010S1-000	RASP5G-0420PNT-412R10S1-000
				CDVRL00361	CDVRL00289	CDVRL00385	CDVRL00313
	DC180V	RASP5G-0421PNT-412000S1-000	RASP5G-0421PNT-412R00S1-000	RASP5G-0421PNT-412010S1-000	RASP5G-0421PNT-412R10S1-000		
		CDVRL00367	CDVRL00295	CDVRL00391	CDVRL00319		
	AC220V	RASP5G-0422PNT-412000S1-000	RASP5G-0422PNT-412R00S1-000	RASP5G-0422PNT-412010S1-000	RASP5G-0422PNT-412R10S1-000		
		CDVRL00373	CDVRL00301	CDVRL00397	CDVRL00325		
	AC400V	RASP5G-0424PNT-412000S1-000	RASP5G-0424PNT-412R00S1-000	RASP5G-0424PNT-412010S1-000	RASP5G-0424PNT-412R10S1-000		
		CDVRL00379	CDVRL00307	CDVRL00403	CDVRL00331		
	4	1.5	-	RASP5G-1420PNT-412000S1-000	RASP5G-1420PNT-412R00S1-000	RASP5G-1420PNT-412010S1-000	RASP5G-1420PNT-412R10S1-000
				CDVRL00362	CDVRL00290	CDVRL00386	CDVRL00314
		DC180V	RASP5G-1421PNT-412000S1-000	RASP5G-1421PNT-412R00S1-000	RASP5G-1421PNT-412010S1-000	RASP5G-1421PNT-412R10S1-000	
			CDVRL00368	CDVRL00296	CDVRL00392	CDVRL00320	
AC220V		RASP5G-1422PNT-412000S1-000	RASP5G-1422PNT-412R00S1-000	RASP5G-1422PNT-412010S1-000	RASP5G-1422PNT-412R10S1-000		
		CDVRL00374	CDVRL00302	CDVRL00398	CDVRL00326		
AC400V		RASP5G-1424PNT-412000S1-000	RASP5G-1424PNT-412R00S1-000	RASP5G-1424PNT-412010S1-000	RASP5G-1424PNT-412R10S1-000		
		CDVRL00380	CDVRL00308	CDVRL00404	CDVRL00332		
5.6		2.2	-	RASP5G-2420PNT-412000S1-000	RASP5G-2420PNT-412R00S1-000	RASP5G-2420PNT-412010S1-000	RASP5G-2420PNT-412R10S1-000
				CDVRL00363	CDVRL00291	CDVRL00387	CDVRL00315
		DC180V	RASP5G-2421PNT-412000S1-000	RASP5G-2421PNT-412R00S1-000	RASP5G-2421PNT-412010S1-000	RASP5G-2421PNT-412R10S1-000	
			CDVRL00369	CDVRL00297	CDVRL00393	CDVRL00321	
	AC220V	RASP5G-2422PNT-412000S1-000	RASP5G-2422PNT-412R00S1-000	RASP5G-2422PNT-412010S1-000	RASP5G-2422PNT-412R10S1-000		
		CDVRL00375	CDVRL00303	CDVRL00399	CDVRL00327		
	AC400V	RASP5G-2424PNT-412000S1-000	RASP5G-2424PNT-412R00S1-000	RASP5G-2424PNT-412010S1-000	RASP5G-2424PNT-412R10S1-000		
		CDVRL00381	CDVRL00309	CDVRL00405	CDVRL00333		
	7.7	3	-	RASP5G-3420PNT-412001S1-000	RASP5G-3420PNT-412R01S1-000	RASP5G-3420PNT-412010S1-000	RASP5G-3420PNT-412R10S1-000
				CDVRL00364	CDVRL00292	CDVRL00388	CDVRL00316
		DC180V	RASP5G-3421PNT-412001S1-000	RASP5G-3421PNT-412R01S1-000	RASP5G-3421PNT-412010S1-000	RASP5G-3421PNT-412R10S1-000	
			CDVRL00370	CDVRL00298	CDVRL00394	CDVRL00322	
AC220V		RASP5G-3422PNT-412001S1-000	RASP5G-3422PNT-412R01S1-000	RASP5G-3422PNT-412010S1-000	RASP5G-3422PNT-412R10S1-000		
		CDVRL00376	CDVRL00304	CDVRL00400	CDVRL00328		
AC400V		RASP5G-3424PNT-412001S1-000	RASP5G-3424PNT-412R01S1-000	RASP5G-3424PNT-412010S1-000	RASP5G-3424PNT-412R10S1-000		
		CDVRL00382	CDVRL00310	CDVRL00406	CDVRL00334		
9.5		4	-	RASP5G-4420PNT-412001S1-000	RASP5G-4420PNT-412R01S1-000	RASP5G-4420PNT-412010S1-000	RASP5G-4420PNT-412R10S1-000
				CDVRL00365	CDVRL00293	CDVRL00389	CDVRL00317
		DC180V	RASP5G-4421PNT-412001S1-000	RASP5G-4421PNT-412R01S1-000	RASP5G-4421PNT-412010S1-000	RASP5G-4421PNT-412R10S1-000	
			CDVRL00371	CDVRL00299	CDVRL00395	CDVRL00323	
	AC220V	RASP5G-4422PNT-412001S1-000	RASP5G-4422PNT-412R01S1-000	RASP5G-4422PNT-412010S1-000	RASP5G-4422PNT-412R10S1-000		
		CDVRL00377	CDVRL00305	CDVRL00401	CDVRL00329		
	AC400V	RASP5G-4424PNT-412001S1-000	RASP5G-4424PNT-412R01S1-000	RASP5G-4424PNT-412010S1-000	RASP5G-4424PNT-412R10S1-000		
		CDVRL00383	CDVRL00311	CDVRL00407	CDVRL00335		
	13	5.5*	-	RASP5G-5420PNT-412001S1-000	RASP5G-5420PNT-412R01S1-000	RASP5G-5420PNT-412010S1-000	RASP5G-5420PNT-412R10S1-000
				CDVRL00366	CDVRL00294	CDVRL00390	CDVRL00318
		DC180V	RASP5G-5421PNT-412001S1-000	RASP5G-5421PNT-412R01S1-000	RASP5G-5421PNT-412010S1-000	RASP5G-5421PNT-412R10S1-000	
			CDVRL00372	CDVRL00300	CDVRL00396	CDVRL00324	
AC220V		RASP5G-5422PNT-412001S1-000	RASP5G-5422PNT-412R01S1-000	RASP5G-5422PNT-412010S1-000	RASP5G-5422PNT-412R10S1-000		
		CDVRL00378	CDVRL00306	CDVRL00402	CDVRL00330		
AC400V		RASP5G-5424PNT-412001S1-000	RASP5G-5424PNT-412R01S1-000	RASP5G-5424PNT-412010S1-000	RASP5G-5424PNT-412R10S1-000		
		CDVRL00384	CDVRL00312	CDVRL00408	CDVRL00336		

* 5.5kW产品将于2024年四季度上市

PROFINET

无内部制动电阻

带内部制动电阻

高级版, IP65

	额定 电流 (A)	额定 功率 (kW)	抱闸 控制 电压	无维修开关	带维修开关	无维修开关	带维修开关	
4DI/2DO	3	0.75	-	RASP5A-0420PNT-4120010S1-000	RASP5A-0420PNT-412R010S1-000	RASP5A-0420PNT-4120110S1-000	RASP5A-0420PNT-412R110S1-000	
				CDVRL10505	CDVRL10433	CDVRL10529	CDVRL10457	
				DC180V	RASP5A-0421PNT-4120010S1-000	RASP5A-0421PNT-412R010S1-000	RASP5A-0421PNT-4120110S1-000	RASP5A-0421PNT-412R110S1-000
				CDVRL10511	CDVRL10439	CDVRL10535	CDVRL10463	
				AC220V	RASP5A-0422PNT-4120010S1-000	RASP5A-0422PNT-412R010S1-000	RASP5A-0422PNT-4120110S1-000	RASP5A-0422PNT-412R110S1-000
				CDVRL10517	CDVRL10445	CDVRL10541	CDVRL10469	
	AC400V	RASP5A-0424PNT-4120010S1-000	RASP5A-0424PNT-412R010S1-000	RASP5A-0424PNT-4120110S1-000	RASP5A-0424PNT-412R110S1-000			
	CDVRL10523	CDVRL10451	CDVRL10547	CDVRL10475				
	4	1.5	-	RASP5A-1420PNT-4120010S1-000	RASP5A-1420PNT-412R010S1-000	RASP5A-1420PNT-4120110S1-000	RASP5A-1420PNT-412R110S1-000	
				CDVRL10506	CDVRL10434	CDVRL10530	CDVRL10458	
				DC180V	RASP5A-1421PNT-4120010S1-000	RASP5A-1421PNT-412R010S1-000	RASP5A-1421PNT-4120110S1-000	RASP5A-1421PNT-412R110S1-000
				CDVRL10512	CDVRL10440	CDVRL10536	CDVRL10464	
AC220V				RASP5A-1422PNT-4120010S1-000	RASP5A-1422PNT-412R010S1-000	RASP5A-1422PNT-4120110S1-000	RASP5A-1422PNT-412R110S1-000	
CDVRL10518				CDVRL10446	CDVRL10542	CDVRL10470		
AC400V	RASP5A-1424PNT-4120010S1-000	RASP5A-1424PNT-412R010S1-000	RASP5A-1424PNT-4120110S1-000	RASP5A-1424PNT-412R110S1-000				
CDVRL10524	CDVRL10452	CDVRL10548	CDVRL10476					
5.6	2.2	-	RASP5A-2420PNT-4120010S1-000	RASP5A-2420PNT-412R010S1-000	RASP5A-2420PNT-4120110S1-000	RASP5A-2420PNT-412R110S1-000		
			CDVRL10507	CDVRL10435	CDVRL10531	CDVRL10459		
			DC180V	RASP5A-2421PNT-4120010S1-000	RASP5A-2421PNT-412R010S1-000	RASP5A-2421PNT-4120110S1-000	RASP5A-2421PNT-412R110S1-000	
			CDVRL10513	CDVRL10441	CDVRL10537	CDVRL10465		
			AC220V	RASP5A-2422PNT-4120010S1-000	RASP5A-2422PNT-412R010S1-000	RASP5A-2422PNT-4120110S1-000	RASP5A-2422PNT-412R110S1-000	
			CDVRL10519	CDVRL10447	CDVRL10543	CDVRL10471		
	AC400V	RASP5A-2424PNT-4120010S1-000	RASP5A-2424PNT-412R010S1-000	RASP5A-2424PNT-4120110S1-000	RASP5A-2424PNT-412R110S1-000			
	CDVRL10525	CDVRL10453	CDVRL10549	CDVRL10477				
	7.7	3	-	RASP5A-3420PNT-4120011S1-000	RASP5A-3420PNT-412R011S1-000	RASP5A-3420PNT-4120111S1-000	RASP5A-3420PNT-412R111S1-000	
				CDVRL10508	CDVRL10436	CDVRL10532	CDVRL10460	
				DC180V	RASP5A-3421PNT-4120011S1-000	RASP5A-3421PNT-412R011S1-000	RASP5A-3421PNT-4120111S1-000	RASP5A-3421PNT-412R111S1-000
				CDVRL10514	CDVRL10442	CDVRL10538	CDVRL10466	
AC220V				RASP5A-3422PNT-4120011S1-000	RASP5A-3422PNT-412R011S1-000	RASP5A-3422PNT-4120111S1-000	RASP5A-3422PNT-412R111S1-000	
CDVRL10520				CDVRL10448	CDVRL10544	CDVRL10472		
AC400V	RASP5A-3424PNT-4120011S1-000	RASP5A-3424PNT-412R011S1-000	RASP5A-3424PNT-4120111S1-000	RASP5A-3424PNT-412R111S1-000				
CDVRL10526	CDVRL10454	CDVRL10550	CDVRL10478					
9.5	4	-	RASP5A-4420PNT-4120011S1-000	RASP5A-4420PNT-412R011S1-000	RASP5A-4420PNT-4120111S1-000	RASP5A-4420PNT-412R111S1-000		
			CDVRL10509	CDVRL10437	CDVRL10533	CDVRL10461		
			DC180V	RASP5A-4421PNT-4120011S1-000	RASP5A-4421PNT-412R011S1-000	RASP5A-4421PNT-4120111S1-000	RASP5A-4421PNT-412R111S1-000	
			CDVRL10515	CDVRL10443	CDVRL10539	CDVRL10467		
			AC220V	RASP5A-4422PNT-4120011S1-000	RASP5A-4422PNT-412R011S1-000	RASP5A-4422PNT-4120111S1-000	RASP5A-4422PNT-412R111S1-000	
			CDVRL10521	CDVRL10449	CDVRL10545	CDVRL10473		
	AC400V	RASP5A-4424PNT-4120011S1-000	RASP5A-4424PNT-412R011S1-000	RASP5A-4424PNT-4120111S1-000	RASP5A-4424PNT-412R111S1-000			
	CDVRL10527	CDVRL10455	CDVRL10551	CDVRL10479				
	13	5.5*	-	RASP5A-5420PNT-4120011S1-000	RASP5A-5420PNT-412R011S1-000	RASP5A-5420PNT-4120111S1-000	RASP5A-5420PNT-412R111S1-000	
				CDVRL10510	CDVRL10438	CDVRL10534	CDVRL10462	
				DC180V	RASP5A-5421PNT-4120011S1-000	RASP5A-5421PNT-412R011S1-000	RASP5A-5421PNT-4120111S1-000	RASP5A-5421PNT-412R111S1-000
				CDVRL10516	CDVRL10444	CDVRL10540	CDVRL10468	
AC220V				RASP5A-5422PNT-4120011S1-000	RASP5A-5422PNT-412R011S1-000	RASP5A-5422PNT-4120111S1-000	RASP5A-5422PNT-412R111S1-000	
CDVRL10522				CDVRL10450	CDVRL10546	CDVRL10474		
AC400V	RASP5A-5424PNT-4120011S1-000	RASP5A-5424PNT-412R011S1-000	RASP5A-5424PNT-4120111S1-000	RASP5A-5424PNT-412R111S1-000				
CDVRL10528	CDVRL10456	CDVRL10552	CDVRL10480					

* 5.5kW产品将于2024年四季度上市

高级版, IP65				无内部制动电阻		带内部制动电阻			
8DI/2DO	3	0.75	-	无维修开关	带维修开关	无维修开关	带维修开关		
		额定 电流 (A)	额定 功率 (kW)	抱闸 控制 电压					
8DI/2DO	3	0.75	-		RASP5A-0820PNT-4120010S1-000	RASP5A-0820PNT-412R010S1-000	RASP5A-0820PNT-4120110S1-000	RASP5A-0820PNT-412R110S1-000	
					CDVRL10883	CDVRL10835	CDVRL10907	CDVRL10859	
					DC180V	RASP5A-0821PNT-4120010S1-000	RASP5A-0821PNT-412R010S1-000	RASP5A-0821PNT-4120110S1-000	RASP5A-0821PNT-412R110S1-000
					CDVRL10889	CDVRL10841	CDVRL10913	CDVRL10865	
	AC220V				RASP5A-0822PNT-4120010S1-000	RASP5A-0822PNT-412R010S1-000	RASP5A-0822PNT-4120110S1-000	RASP5A-0822PNT-412R110S1-000	
					CDVRL10895	CDVRL10847	CDVRL10919	CDVRL10871	
					AC400V	RASP5A-0824PNT-4120010S1-000	RASP5A-0824PNT-412R010S1-000	RASP5A-0824PNT-4120110S1-000	RASP5A-0824PNT-412R110S1-000
						CDVRL10901	CDVRL10853	CDVRL10925	CDVRL10877
	4	1.5	-		RASP5A-1820PNT-4120010S1-000	RASP5A-1820PNT-412R010S1-000	RASP5A-1820PNT-4120110S1-000	RASP5A-1820PNT-412R110S1-000	
					CDVRL10884	CDVRL10836	CDVRL10908	CDVRL10860	
					DC180V	RASP5A-1821PNT-4120010S1-000	RASP5A-1821PNT-412R010S1-000	RASP5A-1821PNT-4120110S1-000	RASP5A-1821PNT-412R110S1-000
					CDVRL10890	CDVRL10842	CDVRL10914	CDVRL10866	
AC220V					RASP5A-1822PNT-4120010S1-000	RASP5A-1822PNT-412R010S1-000	RASP5A-1822PNT-4120110S1-000	RASP5A-1822PNT-412R110S1-000	
					CDVRL10896	CDVRL10848	CDVRL10920	CDVRL10872	
					AC400V	RASP5A-1824PNT-4120010S1-000	RASP5A-1824PNT-412R010S1-000	RASP5A-1824PNT-4120110S1-000	RASP5A-1824PNT-412R110S1-000
						CDVRL10902	CDVRL10854	CDVRL10926	CDVRL10878
5.6		2.2	-		RASP5A-2820PNT-4120010S1-000	RASP5A-2820PNT-412R010S1-000	RASP5A-2820PNT-4120110S1-000	RASP5A-2820PNT-412R110S1-000	
					CDVRL10885	CDVRL10837	CDVRL10909	CDVRL10861	
					DC180V	RASP5A-2821PNT-4120010S1-000	RASP5A-2821PNT-412R010S1-000	RASP5A-2821PNT-4120110S1-000	RASP5A-2821PNT-412R110S1-000
					CDVRL10891	CDVRL10843	CDVRL10915	CDVRL10867	
	AC220V				RASP5A-2822PNT-4120010S1-000	RASP5A-2822PNT-412R010S1-000	RASP5A-2822PNT-4120110S1-000	RASP5A-2822PNT-412R110S1-000	
					CDVRL10897	CDVRL10849	CDVRL10921	CDVRL10873	
					AC400V	RASP5A-2824PNT-4120010S1-000	RASP5A-2824PNT-412R010S1-000	RASP5A-2824PNT-4120110S1-000	RASP5A-2824PNT-412R110S1-000
						CDVRL10903	CDVRL10855	CDVRL10927	CDVRL10879
	7.7	3	-		RASP5A-3820PNT-4120011S1-000	RASP5A-3820PNT-412R011S1-000	RASP5A-3820PNT-4120111S1-000	RASP5A-3820PNT-412R111S1-000	
					CDVRL10886	CDVRL10838	CDVRL10910	CDVRL10862	
					DC180V	RASP5A-3821PNT-4120011S1-000	RASP5A-3821PNT-412R011S1-000	RASP5A-3821PNT-4120111S1-000	RASP5A-3821PNT-412R111S1-000
					CDVRL10892	CDVRL10844	CDVRL10916	CDVRL10868	
AC220V					RASP5A-3822PNT-4120011S1-000	RASP5A-3822PNT-412R011S1-000	RASP5A-3822PNT-4120111S1-000	RASP5A-3822PNT-412R111S1-000	
					CDVRL10898	CDVRL10850	CDVRL10922	CDVRL10874	
					AC400V	RASP5A-3824PNT-4120011S1-000	RASP5A-3824PNT-412R011S1-000	RASP5A-3824PNT-4120111S1-000	RASP5A-3824PNT-412R111S1-000
						CDVRL10904	CDVRL10856	CDVRL10928	CDVRL10880
9.5		4	-		RASP5A-4820PNT-4120011S1-000	RASP5A-4820PNT-412R011S1-000	RASP5A-4820PNT-4120111S1-000	RASP5A-4820PNT-412R111S1-000	
					CDVRL10887	CDVRL10839	CDVRL10911	CDVRL10863	
					DC180V	RASP5A-4821PNT-4120011S1-000	RASP5A-4821PNT-412R011S1-000	RASP5A-4821PNT-4120111S1-000	RASP5A-4821PNT-412R111S1-000
					CDVRL10893	CDVRL10845	CDVRL10917	CDVRL10869	
	AC220V				RASP5A-4822PNT-4120011S1-000	RASP5A-4822PNT-412R011S1-000	RASP5A-4822PNT-4120111S1-000	RASP5A-4822PNT-412R111S1-000	
					CDVRL10899	CDVRL10851	CDVRL10923	CDVRL10875	
					AC400V	RASP5A-4824PNT-4120011S1-000	RASP5A-4824PNT-412R011S1-000	RASP5A-4824PNT-4120111S1-000	RASP5A-4824PNT-412R111S1-000
						CDVRL10905	CDVRL10857	CDVRL10929	CDVRL10881
	13	5.5*	-		RASP5A-5820PNT-4120011S1-000	RASP5A-5820PNT-412R011S1-000	RASP5A-5820PNT-4120111S1-000	RASP5A-5820PNT-412R111S1-000	
					CDVRL10888	CDVRL10840	CDVRL10912	CDVRL10864	
					DC180V	RASP5A-5821PNT-4120011S1-000	RASP5A-5821PNT-412R011S1-000	RASP5A-5821PNT-4120111S1-000	RASP5A-5821PNT-412R111S1-000
					CDVRL10894	CDVRL10846	CDVRL10918	CDVRL10870	
AC220V					RASP5A-5822PNT-4120011S1-000	RASP5A-5822PNT-412R011S1-000	RASP5A-5822PNT-4120111S1-000	RASP5A-5822PNT-412R111S1-000	
					CDVRL10900	CDVRL10852	CDVRL10924	CDVRL10876	
					AC400V	RASP5A-5824PNT-4120011S1-000	RASP5A-5824PNT-412R011S1-000	RASP5A-5824PNT-4120111S1-000	RASP5A-5824PNT-412R111S1-000
						CDVRL10906	CDVRL10858	CDVRL10930	CDVRL10882

* 5.5kW产品将于2024年四季度上市

数据概览 6

技术参数和规格

属性	产品描述	规格
额定输入	输入电压	3 相 380 - 480V, -15% ~ +10 %, 50/60 Hz
	输入频率	两次通电操作之间至少停顿一分钟
额定输出	输出电压	3相, 0V~输入电压
	输出频率	0 - 600 Hz
	过载能力	150% 60 秒/600 秒, 200% 2 秒/20 秒
控制特性	控制方式	V/f, 开环矢量控制, 闭环矢量控制
	载波频率	1.0kHz~16.0kHz
	制动功能	直流制动 内置制动斩波器, 可选配内置制动电阻或外接制动电阻接口 (通过型号定义) 可选配电机机械抱闸控制电压 (通过型号定义), 支持 DC180V、AC220V、AC380V
	支持电机类型	三相异步电机, 永磁同步电机, 同步磁阻电机等
通讯总线	AS-Interface	可选单地址或双地址模式, 双地址模式支持 CT12 或 8I/8O
	PROFINET	双 PROFINET 接口
数字量输入及输入	DI	标配 4DI, 可选 8DI (PROFINET 版本可选, 通过型号定义)
	DO	标配 2DO, 需外部 24V 供电支持, 容量 ≤800mA
电机温度保护		支持 PTC, KTY84, PT100/1000
防护等级		IP65 (RASP5A...), IP54 (RASP5G...)
环境条件	工作温度	-25~45°C 无降容
	储藏温度	-40~80°C
	相对湿度	< 95 % 相对湿度, 无凝露
	工作海拔	1000m, 高于1000m 时, 每100m 降容 1%
	振动 (IEC/EN 60068-2-6)	振幅 3 - 15.8Hz, 振动幅度 0.15 mm 加速度 2g at 15.8 - 150Hz"
	抗机械冲击 (IEC/EN 60068-2-27)	1000 次冲击/轴, 半正弦 15 g/11 ms
	冷却方式	0.75/1.5/2.2kW 自然冷却, 3/4/5.5kW 强迫风冷

	描述	长度 [m]	用于	产品编号 订货号	标准包装	说明
操作键盘						
	参数显示及设置		RASP5X	RL5X-KEY-LED CDVRL90001		
马达馈线						
马达电缆 用于连接马达起动器至马达						
	无卤, 8 x 1,5 mm ² , 塑料插头	2	RAM05	RAMO-CM1-2M0 164282	1 个	-
		5	RAM05	RAMO-CM1-5M0 164283	1 个	-
		10	RAM05	RAMO-CM1-10M 164284	1 个	-
	无卤, 屏蔽, 4 x 1,5 mm ² + 2 x (2 x 0,75 mm ²), 金属插头	2	RASP5	RASP-CM2-2M0 198280	1 个	-
		5	RASP5	RASP-CM2-5M0 198281	1 个	-
		10	RASP5	RASP-CM2-10M 198282	1 个	-
AS-Interface 附件						
AS-Interface 连接						
M12 连接插座, 用于 AS-Interface 连接电缆						
	IDC 端接		RAM05 RASP5	ZB2-100-AZ1 082667	1 个	-
AS-Interface 连接电缆, 通过 AS-Interface 连接头来连接装置						
	带 M12 插座和 M12 1 插头, 3 极,		RAM05 RASP5	RA-XM12-1M 272057	1 个	引脚 1、3、4 被指定
Y 型连接头, 最多连接 2 个传感器 (每个 M12 插座)						
			RASP5	RA-XM12-Y 290424	1 个	-
备用钥匙						
用于自动 - 关闭 / 复位 - 手动钥匙开关						
	锁定机构 MS1		RAM05 RASP5	M22-ES-MS1 216416	1 个	-

数据概览 7

附件

描述	长度 [m]	用于	产品编号 订货号	标准包装	说明
电源供电扁平电缆 RA-C1					
扁平电缆, 用于 400 V AC/24 V DC 或 AS-Interface 的分布式供电					
	无卤, 7 x 4 mm ²	RA-C1	RA-C1-7X4HF 230860	100 延米	不含漆膜污染物 / 硅
电力连接电缆, 通过 400 V AC 柔性母排连接头来连接装置					
	配备电力插头和用于柔性母排连接头的插头, 无卤, 5 x 1.5 mm ²	1,5	RAM05 RASP5 RA-C1-PLF	RA-C3/C1-1,5HF 290210	1 个 -
	配备 HAN Q4/2 电力插头和用于柔性母排连接头的插头, 无卤, 5 x 1,5 mm ²	1,5	RAM05 RASP5 RA-C1-PLF	RA-Q4/C1-1M5 198283	1 个 -
柔性母排连接头 400 V AC/24 V DC 连接插座, 用于电力连接电缆					
	绝缘穿刺端子, 带锁定机构的端子插座		RA-C1-7X4HF RA-C3/C1-1,5HF	RA-C1-PLF 290188	5 个 -
防护盖, 用于防护 400 V AC/24 V DC 柔性母排连接头					
			RA-C1-PLF	RA-C1-COV 254693	10 个
插头连接头, 用于 400 V AC/24 V DC 柔性母排连接头					
	带防护罩的插头端子		RA-C1-PLF	RA-C1-VP-PLM 231574	5 个 单独订购电缆衬垫 V-M25
分配模块, 用于通过圆形电缆, 为 400-V-AC/24-V-DC 带状电缆馈电					
	终端带穿孔螺钉, 2 个 VM25 和 2 个 V-M20 敲落孔, 连接模块带弹簧负荷端子, 连接高达 4mm ² 的圆形电缆		RA-C1-7X4HF	RA-C1-AM-7 290214	5 个 单独订购电缆衬垫 V-M25 或 V-M20
分配模块, 用于通过圆形电缆, 为带状电缆馈 400V 交流电					
	带 3 个柔性母排输入和 2 个圆形电缆输入 连接圆形电缆 4 mm ²		RA-C1-7X4HF	RA-C1-VM-7 264244	2 个 单独订购电缆衬垫 V-M25/V-M20 和套管 RA-C1-DF
柔性母排套管, 用于分配模块或控制柜内扁平电缆的套管					
	-		RA-C1-VM-7	RA-C1-DF 264243	10 个 -
柔性母排夹, 用于固定带状电缆					
			RA-C1-7X4HF	RA-C1-FIX 272086	100 个 1 套带 100 个线夹
末端片, 用于带状电缆末端					
			RA-C1-7X4HF	RA-C1-END1290189	10 个 -
工具					
	用于切割扁平电缆		RA-C1-7X4HF	RA-C1-CUT 254690	1 个 -

描述	长度 [m]	用于	产品编号 订货号	标准包装	说明
电源供电圆形电缆 RA-C2					
电力连接电缆 用于通过圆形电缆接头来连接装置					
	带电源插头及用于圆形电缆连接头的插头，无卤， 5 x 1.5 mm ²	1,5	RAM05 RASP5 RA-C2-S1-4	RA-C3/C2-1,5HF 290211	1 个
	带 HAN Q4/2 电源插头及用于圆形电缆连接头的插头，无卤， 5 x 1,5 mm ²	1,5	RAM05 RASP5 RA-C2-S1-4	RA-Q4/C2-1M5 198284	1 个 -
圆形电缆接头，用于连接插座，用于电力连接电缆					
	用于 7 x 2.5/4 mm ² , 400 V AC 和 24 V DC, 通过绝缘穿刺技术端接，电缆通过金属螺丝固定，预先连接的插座，适用于电缆外径 10 - 13 mm		RA-C3/C2-1,5HF	RA-C2-S1-4 257830	1 个 配备的设备： 一套适合这些电缆直径的垫圈，1 个锁定机构
堵头用于封堵电源线路内最后一个圆形电缆接头					
			RA-C2-S1-4	RA-C2-SBL 265357	10 个 一套带 10 个堵头
电源供电圆形电缆 RA-C4					
圆形电缆接头 连接插座，用于 2.5 - 6 mm ² 的电源电缆					
	经由弹簧笼式端子 T 型连接头，1.5 至 6 mm ² 和 / 或 0.5 至 4 mm ² 的插头连接，外壳防护等级 IP65		RA-C4-PPB/ C3-1M5 RA-C4-X/C3-1M5	RA-C4-PB65 116905	1 个 标准包装里不包括 外壳开口垫圈
堵头，用于闭合未使用的壳体开口					
	外壳密封圈，闭合，EPDM, 无硅无卤，IP65		RA-C4-PB65	RA-C4-D0 116960	10 个 一套带 • 10 个堵头
垫圈，有槽的外壳套管密封圈					
	用于 Ø 11 - 13 mm EPDM 圆形电缆，无硅无卤，IP65		RA-C4-PB65	RA-C4-D131 16907	10 个 -
	用于 Ø 13 - 15 mm EPDM 圆形电缆，无硅无卤，IP65		RA-C4-PB65	RA-C4-D15 116908	10 个 -
	用于 Ø 15 - 17 mm EPDM 圆形电缆，无硅无卤，IP65		RA-C4-PB65	RA-C4-D17 116909	10 个 -
用于通过圆形电缆接头来连接装置					
	电缆 5 x 1.5 mm ² , 无卤，带 RA-C4-PPB 插头（用于圆形电缆接头），电源插头和垫圈 IP65	1,5	RAM05 RASP5 RA-C4-PB65	RA-C4-PPB/C3-1M5 116962	1 个
电力连接电缆，用于用户组装 用于通过圆形电缆接头来连接装置					
	电缆 5 x 1.5 mm ² 无卤，带线箍，电源插头和 IP65 垫圈	1,5	RAM05 RASP5 RA-C4-PB65	RA-C4-X/C3-1M5 116961	1 个

RASP5X

尺寸 (W x H x D, mm)

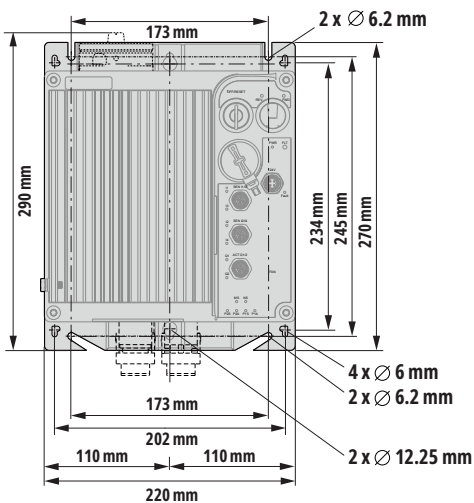
功率 (kW)	类型	W	H	D	说明
0.75/1.5/2.2	RASP5X-...-xxx0xx0xx-...	220	270	182	无维修开关, 无风扇
0.75/1.5/2.2	RASP5X-...-xxxRxx0xx-...	220	290	182	有维修开关, 无风扇
3/4/5.5	RASP5X-...-xxx0xx1xx-...	220	270	225	无维修开关, 有风扇
3/4/5.5	RASP5X-...-xxxRxx1xx-...	220	290	225	有维修开关, 有风扇

重量 (kg)

功率 (kW)	类型	重量	说明
0.75/1.5/2.2	RASP5X-...-xxx00x0xx-...	3.59	无维修开关, 无制动电阻, 无风扇
0.75/1.5/2.2	RASP5X-...-xxxR0x0xx-...	3.76	有维修开关, 无制动电阻, 无风扇
0.75/1.5/2.2	RASP5X-...-xxx01x0xx-...	3.66	无维修开关, 有制动电阻, 无风扇
0.75/1.5/2.2	RASP5X-...-xxxR1x0xx-...	3.83	有维修开关, 有制动电阻, 无风扇
3/4/5.5	RASP5X-...-xxx00x1xx-...	4.38	无维修开关, 无制动电阻, 有风扇
3/4/5.5	RASP5X-...-xxxR0x1xx-...	4.55	有维修开关, 无制动电阻, 有风扇
3/4/5.5	RASP5X-...-xxx01x1xx-...	4.53	无维修开关, 有制动电阻, 有风扇
3/4/5.5	RASP5X-...-xxxR1x1xx-...	4.70	有维修开关, 有制动电阻, 有风扇

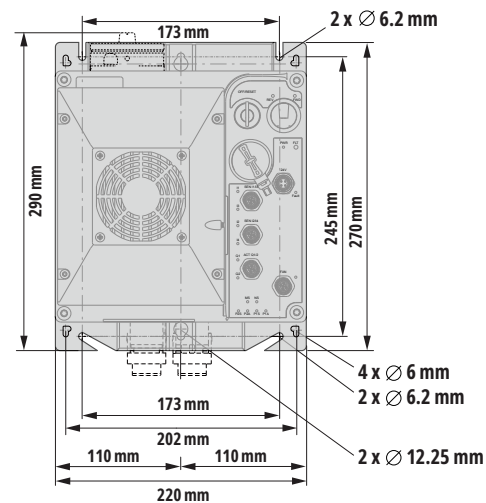
尺寸图 (0.75/1.5/2.2kW)

RASP5X-...-xxxRxx0xx-...

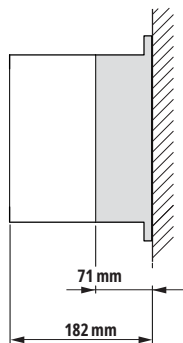


尺寸图 (3/4/5.5kW)

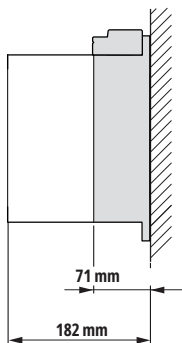
RASP5X-...-xxxRxx1xx-...



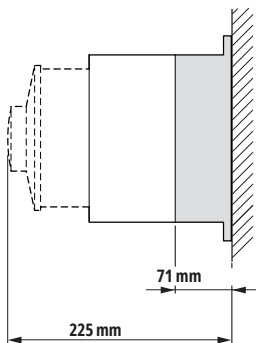
RASP5X-...-xxx0xxxx-...



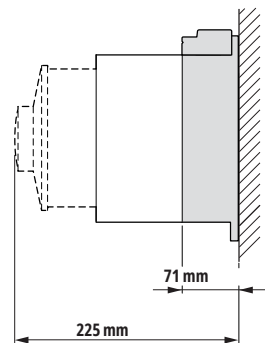
RASP5X-...-xxxRxxxx-...



RASP5X-...-xxx0xxxx-...



RASP5X-...-xxxRxxxx-...



伊顿公司是一家智能动力管理公司，致力于保护环境和改善人类的生活品质。我们的产品服务于数据中心、公用事业、工业、商业、机械制造、住宅、宇航和车辆市场。无论是现在还是未来，我们承诺正当经营、可持续运营和帮助客户更好地管理动力。在全球电气化和数字化发展趋势的助力下，我们正在加速推进世界向可再生能源转型，帮助客户解决最紧迫的动力管理挑战，为当今及未来的人类创建更可持续的社会。

伊顿公司成立于 1911 年，已在纽约证券交易所上市逾百年。2023 年，伊顿公司销售额达 232 亿美元，业务遍布 160 多个国家。伊顿公司于 1993 年进入中国市场，此后迅速发展其中国业务。2004 年，公司亚太区总部从香港搬至上海。在中国，伊顿公司现有约 8,000 名员工和 19 家生产制造基地。

如需更多信息，敬请访问伊顿公司官方中文网站：www.eaton.com.cn
关注伊顿公司官方微信公众号：**Eaton_China**

伊顿公司
亚太总部
上海市长宁区临虹路 280 弄 3 号
邮编：200335
www.eaton.com.cn/electrical

© 2024 伊顿公司
本公司保留对本资料的解释权和
修改权，并毋需另行通知。
4-2024

客户服务中心
联系方式：800-988-1203
400-921-0826
工作时间：09:00-17:00（周一至周五）
技术服务邮箱：TechCareCPCD@Eaton.com



扫描二维码，
关注“伊顿电气官方”微信公众号