



(en)

Electric current! Danger to life!

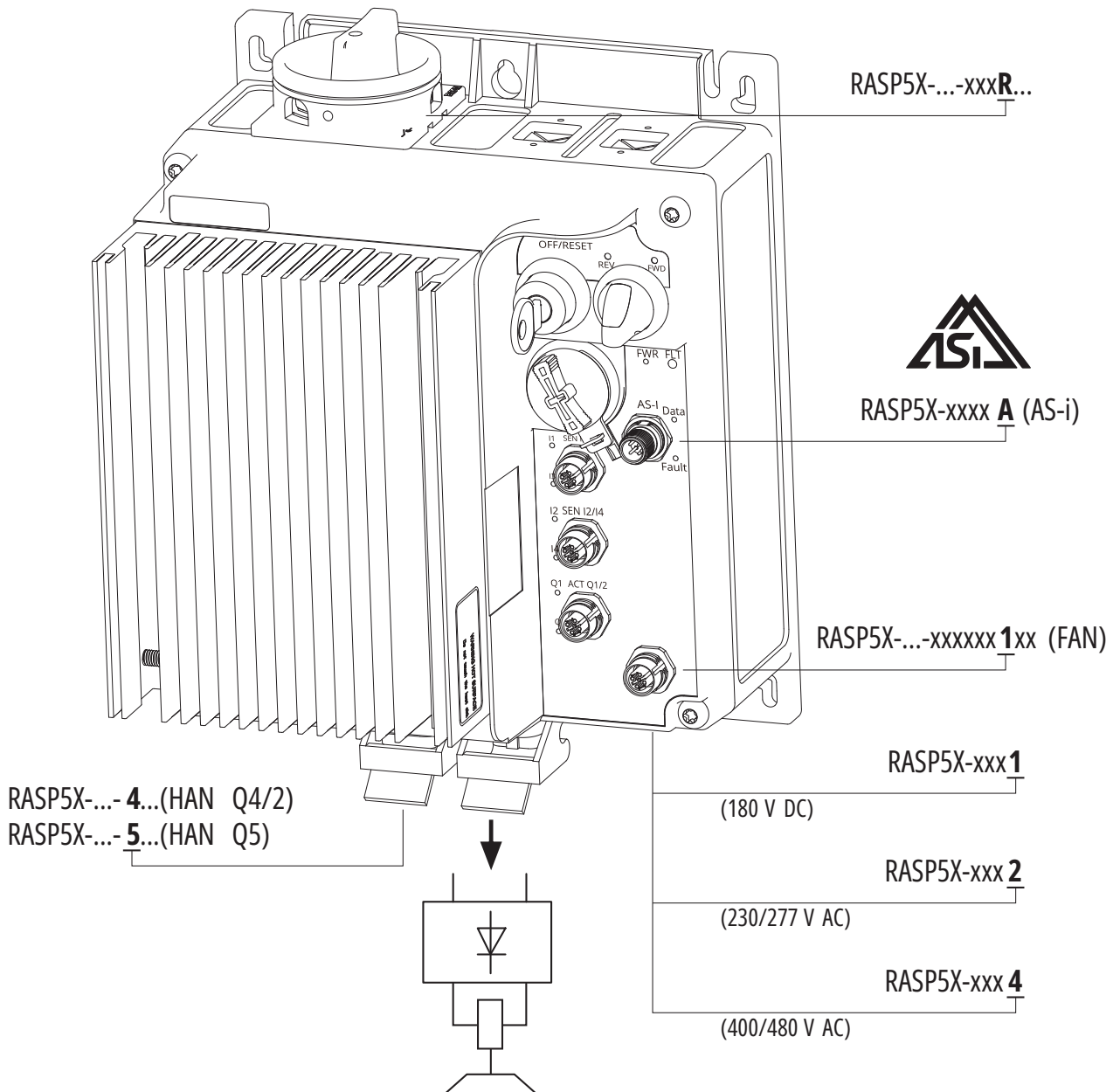
Only skilled or instructed persons may carry out the following operations.

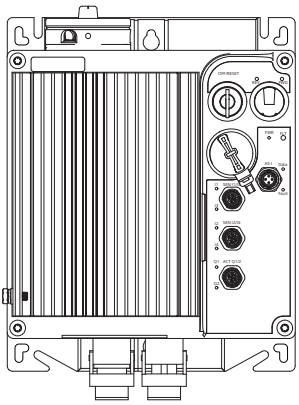
(zh)

触电危险!

只允许专业人员和受过专业训练的人员进行下列工作。

RASP 5X-xxxxA

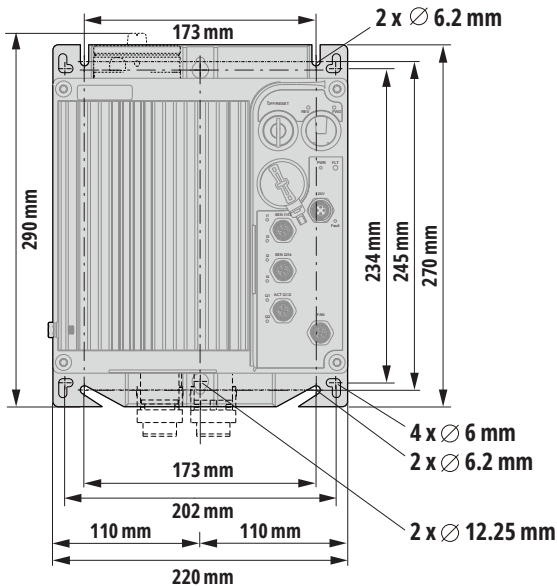




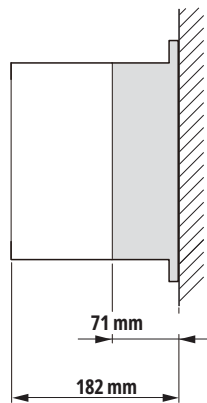
RASP 5G - 0 42 0 A31 - 412 R 0 0 0 S1 - 0 00

Rapid Link decentralized frequency inverter		Factory reserved
5G = General version, IP 54 5A = Advanced version, IP65		Encoder options 0 = without encoder card 1 = with encoder card
Rated power 0 = 0.75kW 1 = 1.5kW 2 = 2.2kW 3 = 3.0kW 4 = 4.0kW 5 = 5.5kW		Product version S1 = Standard, Version 1
Number of I/Os 4DI/2DO 8DI/2DO (only for PROFINET version)		Fan 0 = without fan 1 = with fan
Brake voltage level 0 = None 1 = DC180V 2 = AC220V 4 = AC400V		EMC option 0 = without EMC filter 1 = with EMC filter
Communication type PNT = PROFINET A31 = ASI-3 A32 = ASI-3, dual ASI		Braking resistance option 0 = without braking resistance 1 = with built-in braking resistance
Power supply interface 412 = HAN Q4/2, lower entrance 512 = HAN Q5, lower entrance		Repair switch option 0 = without repair switch R = with repair switch

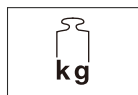
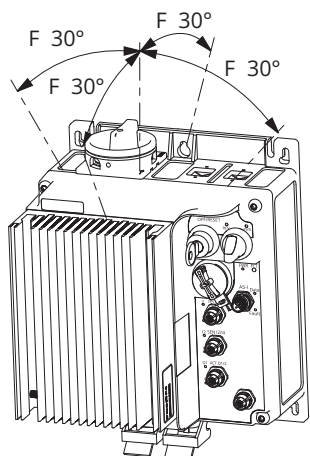
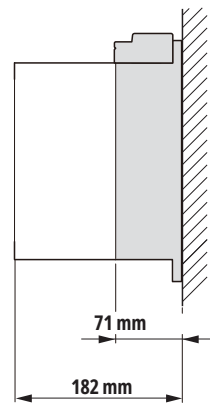
RASP5X-...-xxxRxx0xx-...



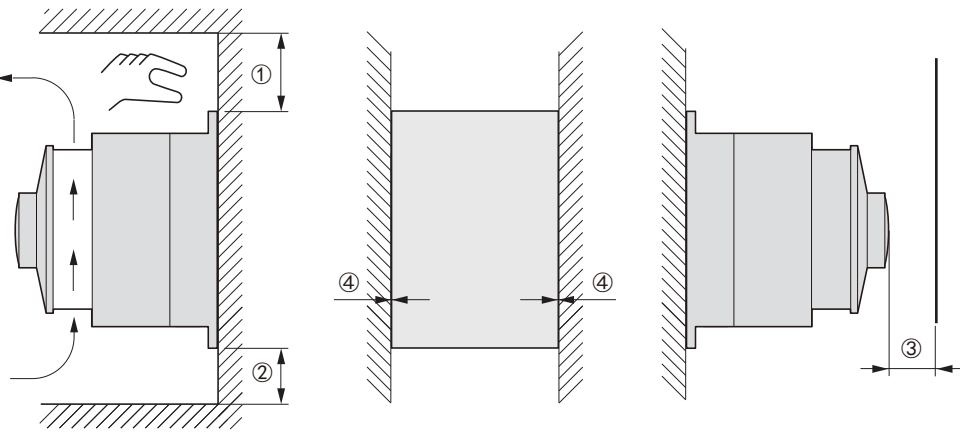
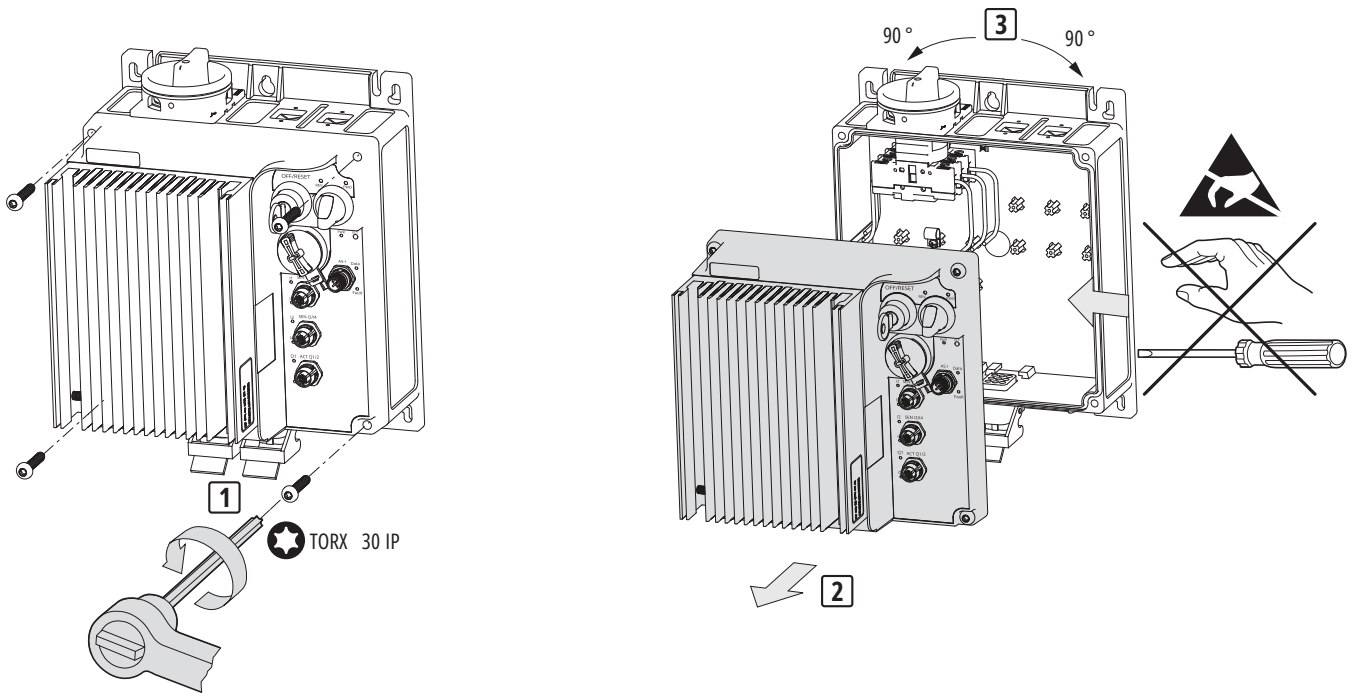
RASP5X-...-xxxOxxxxx-...



RASP5X-...-xxxRxxxxx-...

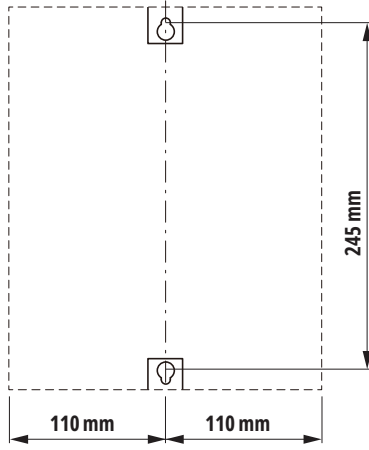
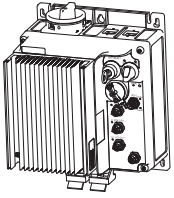


RASP5X-...-xxx00x0xx-...	3.59
RASP5X-...-xxxR0x0xx-...	3.76
RASP5X-...-xxx01x0xx-...	3.66
RASP5X-...-xxxR1x0xx-...	3.83
RASP5X-...-xxx00x1xx-...	4.38
RASP5X-...-xxxR0x1xx-...	4.55
RASP5X-...-xxx01x1xx-...	4.53
RASP5X-...-xxxR1x1xx-...	4.70

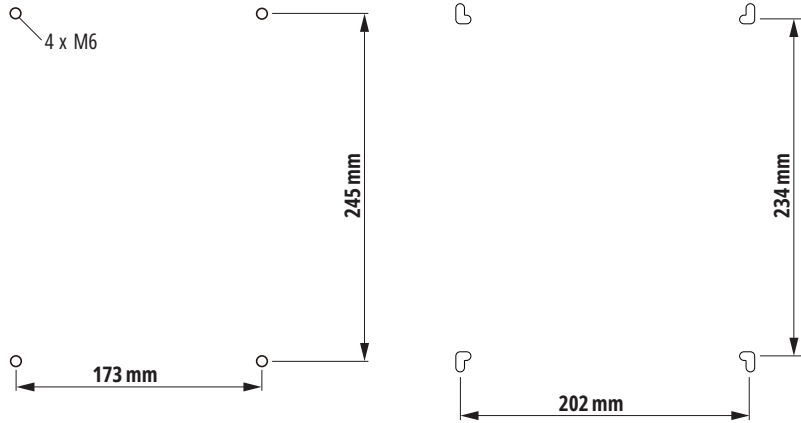
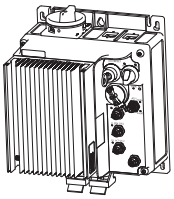


- ① ≥ 150 mm
- ② ≥ 100 mm
- ③ ≥ 50 mm
- ④ ≥ 0

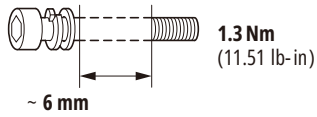
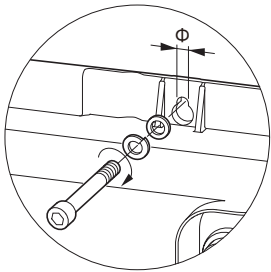
1a



1b

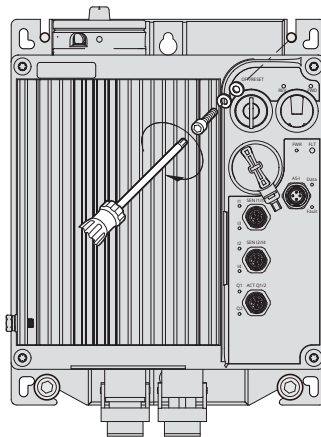


2



Φ				
6.2 mm	2 x / 4 x M6	4 x DIN 127, M6		4 x DIN 125, M6

3



1.3 Nm
(11.51 lb-in)

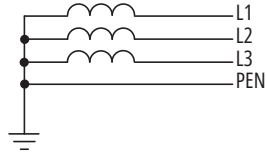
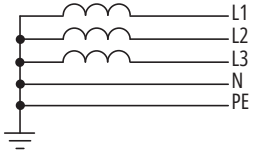
(en) NOTICE

Connect only in voltage-free state!

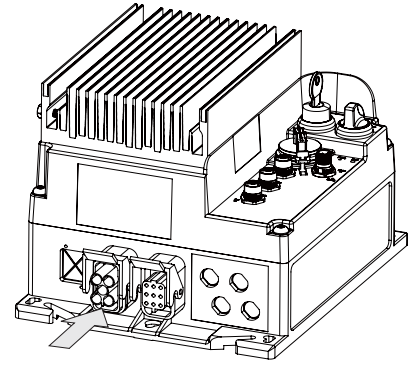
(zh) 注意

必须在断电状态下进行连接!

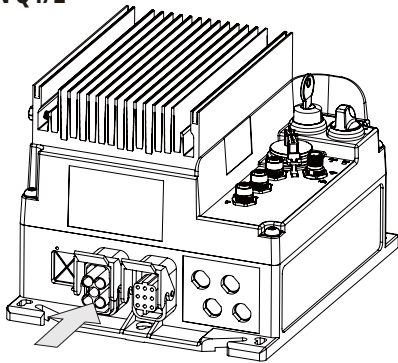
Mains (TN, TT)



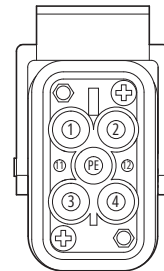
$U_{LN} = 3 \text{ AC } 400 \text{ V, N, PE}$
380 V -10 %...480 V + 10 %
50/60HZ (45...66 Hz \pm 0 %)



HAN Q4/2



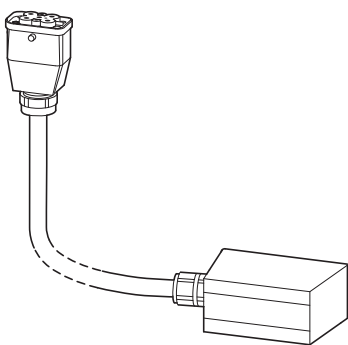
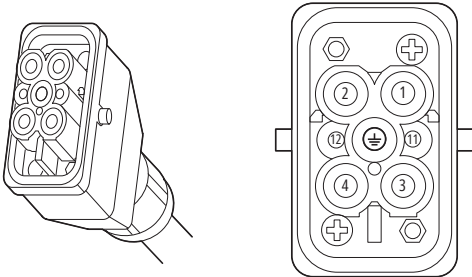
M



PIN	400/480 V AC
1	L1
2	L2
3	L3
4	(N)
PE	PE
11	-
12	-

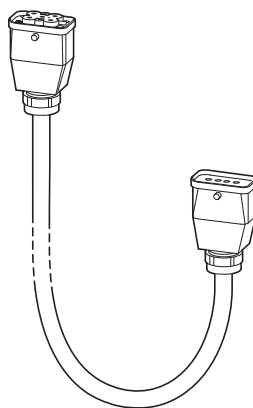
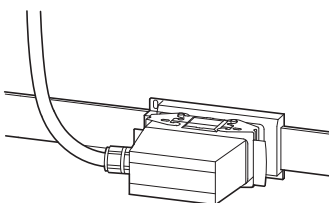
12/23 IL2312AV10CN

F



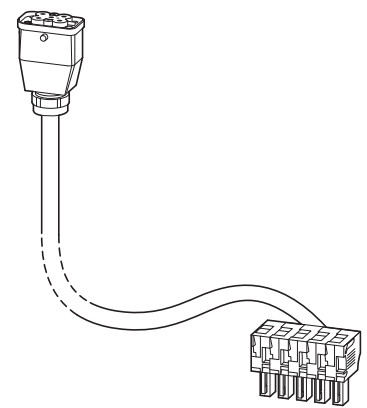
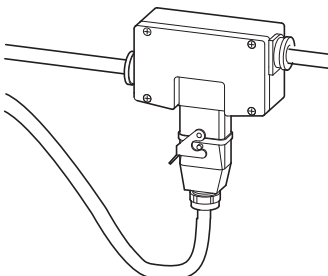
RA-Q4/C1-1M5

→ RA-C1-PLF1



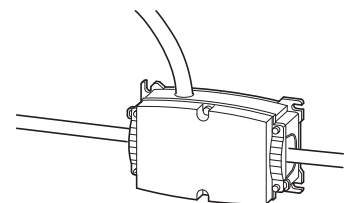
RA-Q4/C2-1M5

→ RA-C2-S1-4



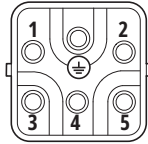
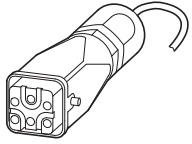
RA-C4-PPB/C3-1M5

→ RA-C4-PB65

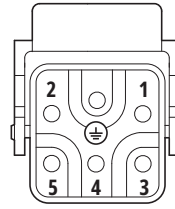


HAN Q5/0

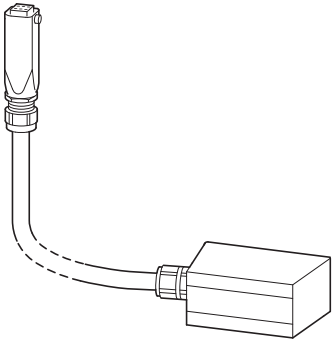
F



M

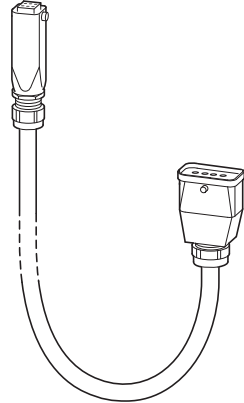
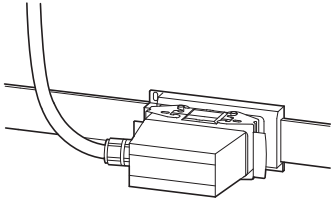


PIN	400/480 V AC
1	L1
2	L2
3	L3
4	N
5	-
PE	PE



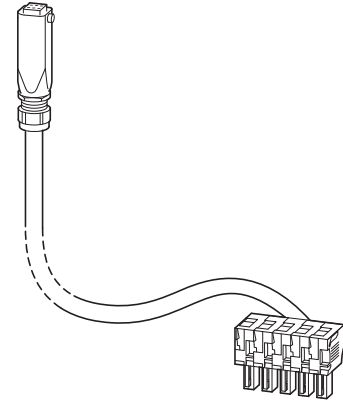
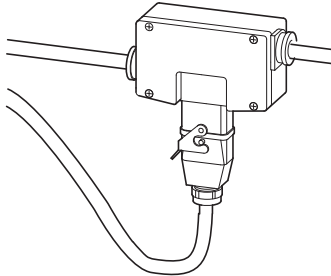
RA-C3/C1-1, 5HF

→ RA-C1-PLF1



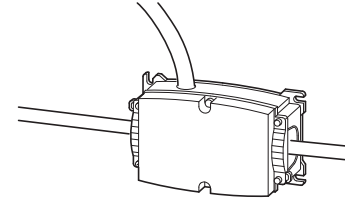
RA-C3/C2-1, 5HF

→ RA-C2-S1-4

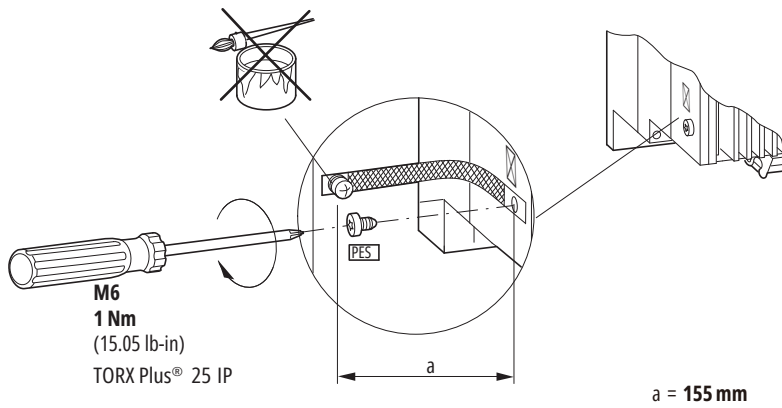


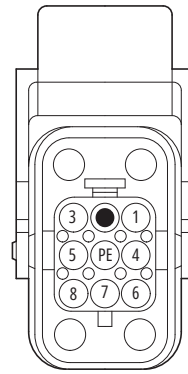
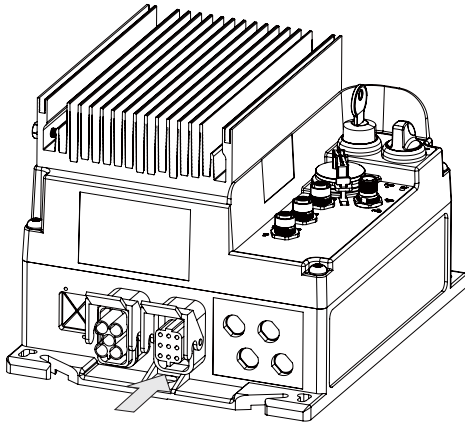
RA-C4-PPB/C3-1M5

→ RA-C4-PB65



RASP5X...





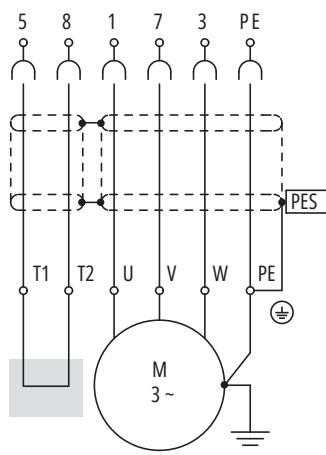
400 V AC / 460 V AC		$i \uparrow \uparrow$	180 V DC
PIN $\begin{matrix} \text{M} \\ \text{3-} \end{matrix}$			230 V AC / 400 V AC
			277 V AC / 480 V AC

* Default: PTC, Optional: KTY84/PT100/PT1000, refer to user manual
* 出厂默认PTC, 可选: KTY84/PT100/PT1000, 详见用户手册

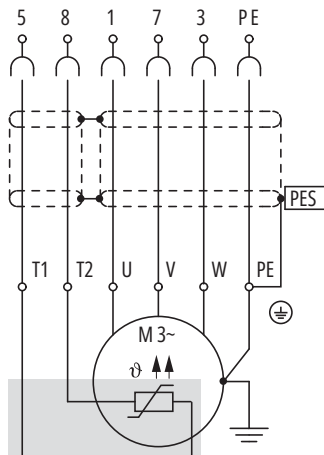
1	U		
●			
3	W		B2
4			
5		T1	
6			B1
7	V		
8		T2	
PE	PE		

	I_e	Motor	
		400 V, 50 Hz	440 - 460 V, 60 Hz
RASP5X-0...	3A	0.75 kW	1 HP
RASP5X-1...	4A	1.5 kW	2 HP
RASP5X-2...	5.6A	2.2 kW	3 HP
RASP5X-3...	7.7A	3 kW	4 HP
RASP5X-4...	9.5A	4 kW	5 HP
RASP5X-5...	13A	5.5 kW	7.5 HP

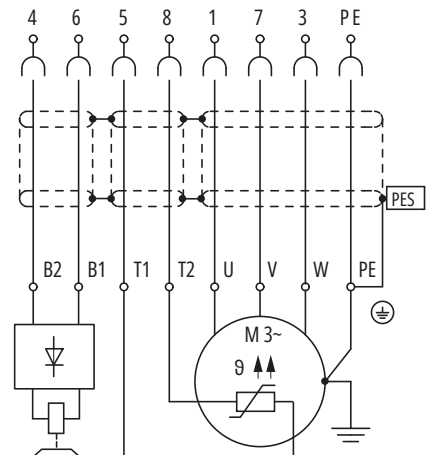
12/23 IL2312AV10CN



RASP5X...



RASP5X...



RASP5X-xxx1..., RASP5X-xxx2..., RASP5X-xxx4...

(en) Motor connection plug

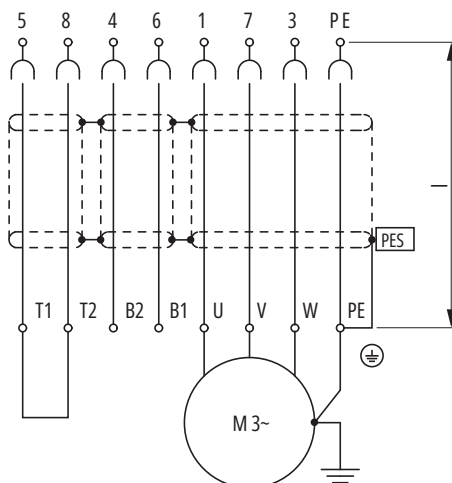
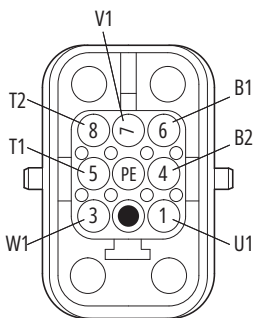
(zh) 电机连接插头

RASP-CM2-2M0
RASP-CM2-5M0
RASP-CM2-10M

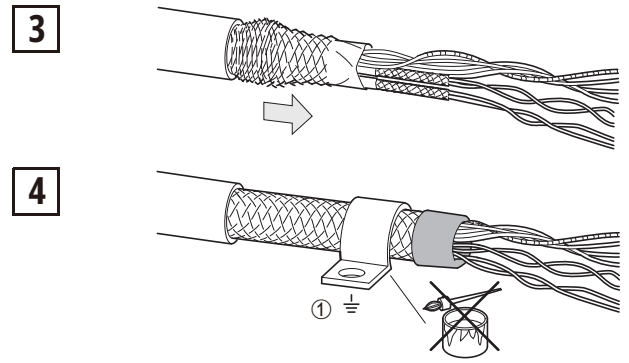
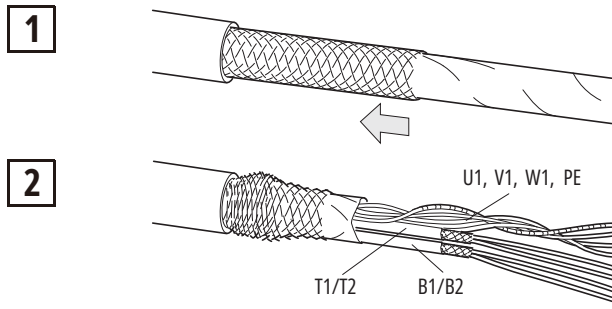


(en) Metal Housing-

(zh) 金属外壳



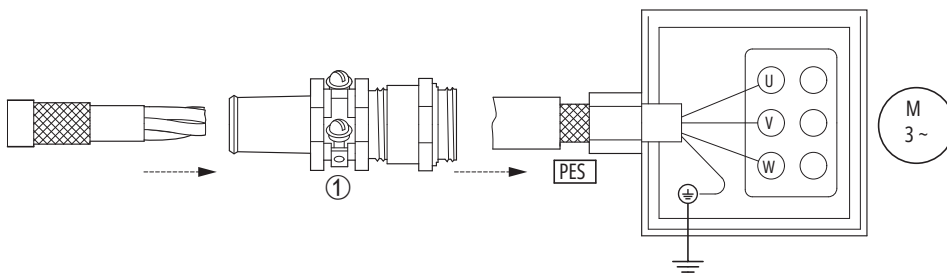
l = max. 20 m (max. 65.6 ft)
RASP-CM2-2M0 = 2 m (6.56 ft)
RASP-CM2-5M0 = 5 m (16.4 ft)
RASP-CM2-10M = 10 m (32.81 ft)



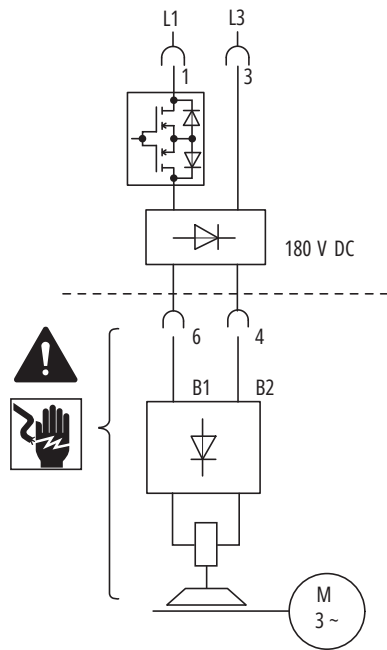
① PES 360°

en Contacting-

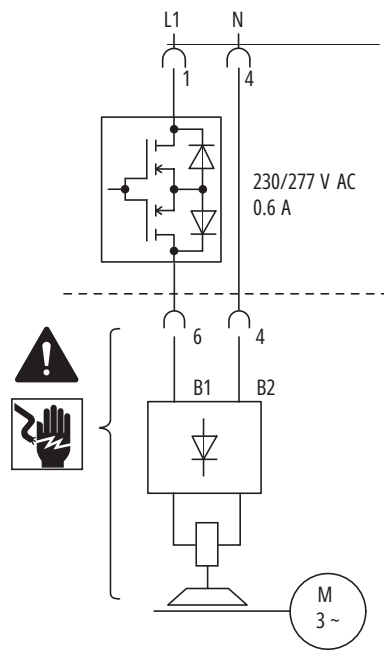
zh 接触



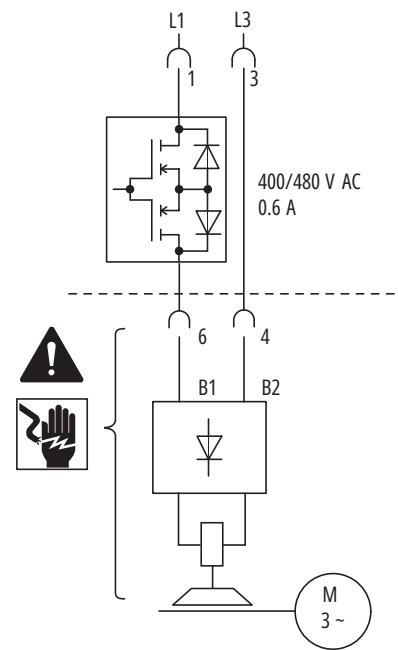
RASP5X-xxx1...



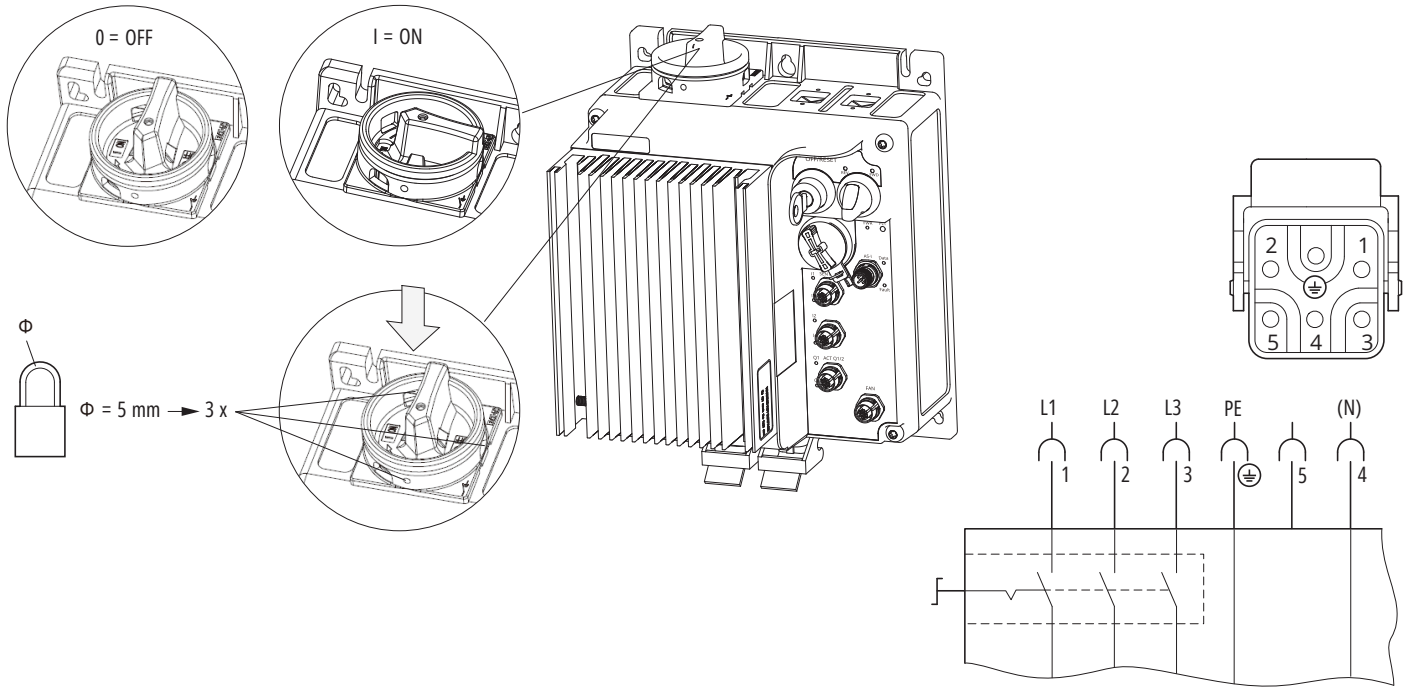
RASP5X-xxx2...



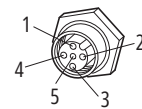
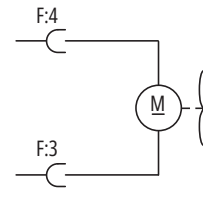
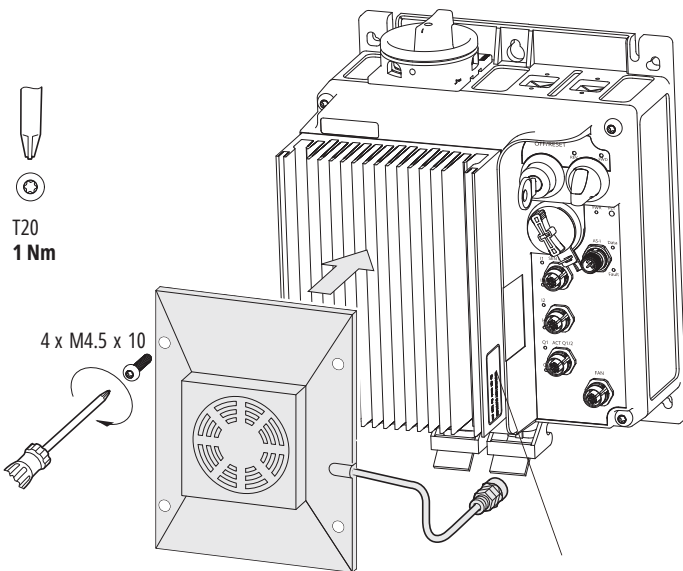
RASP5X-xxx4...




12/23 IL2312AV10CN



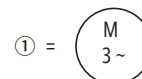
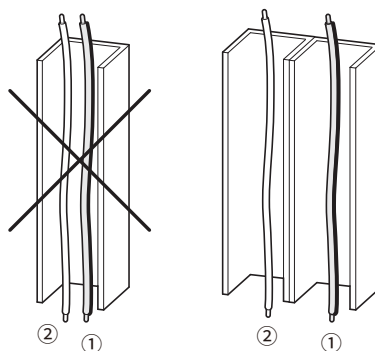
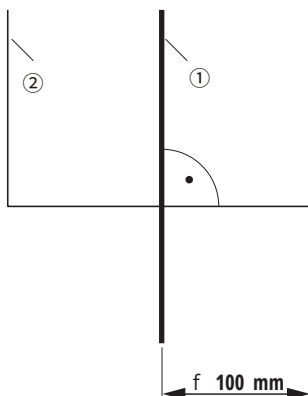
12/23 IL2312AV10CN



1	-
2	-
3	0 V
4	└─ +24 V
5	-



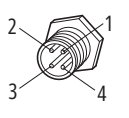
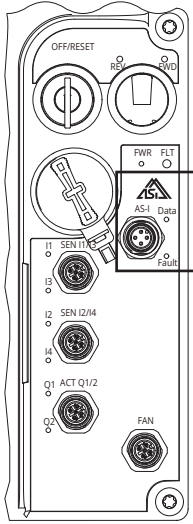
WARNING HOT SURFACE
Do not touch the heat sink



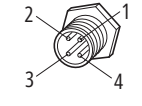
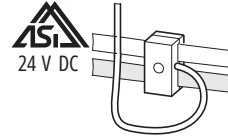
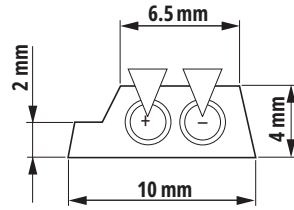
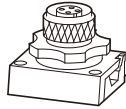
② = 11, 12,



AS-Interface



1	ASI+
2	-
3	ASI-
4	-

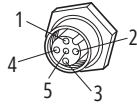
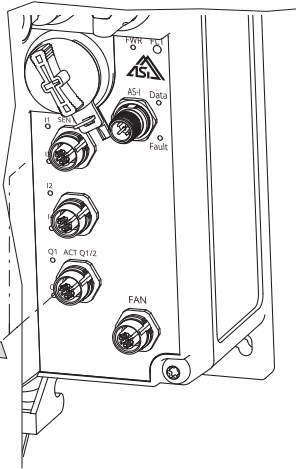


1	ASI+
2	0 V
3	ASI-
4	24 V

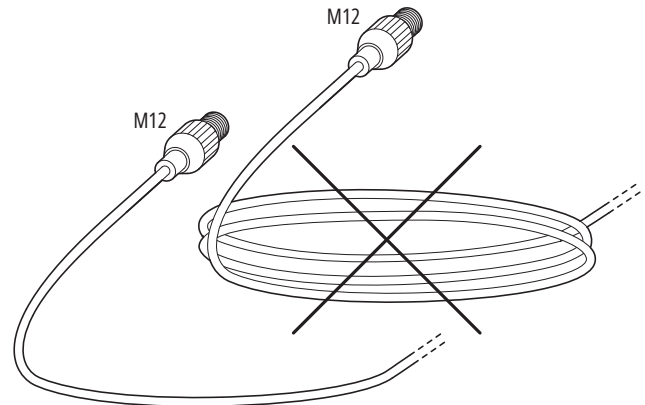
Actuator: Q1, Q2

(en) "A" coded-

(zh) 已编码为 "A"



1	24V DC
2	Q1
3	0V
4	Q2
5	-



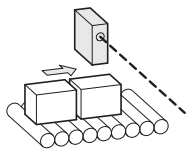
* Q1/Q2 need external 24V
* Q1/Q2需要外部 24V 供电

≤ 20 m
(≤ 65.6 ft)

Sensor: I1, I2

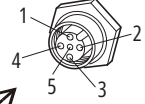
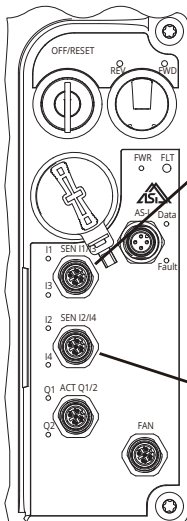
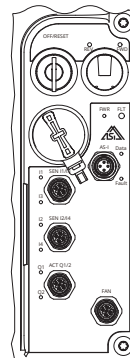
(en) "A" coded-

(zh) 已编码为 "A"



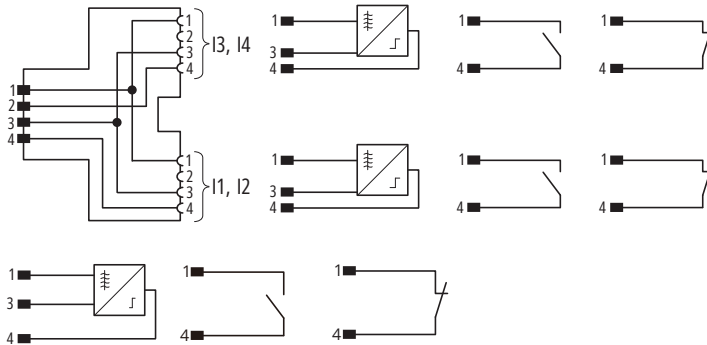
→ DIN IEC 304, DIN IEC 757

1	BN	1
2	WH	9
3	BU	6
4	BK	0
5	-	-

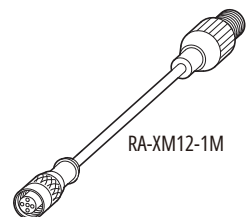
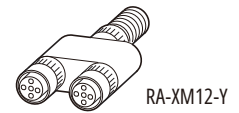


1	L+
2	I3
3	L-
4	I1
5	-

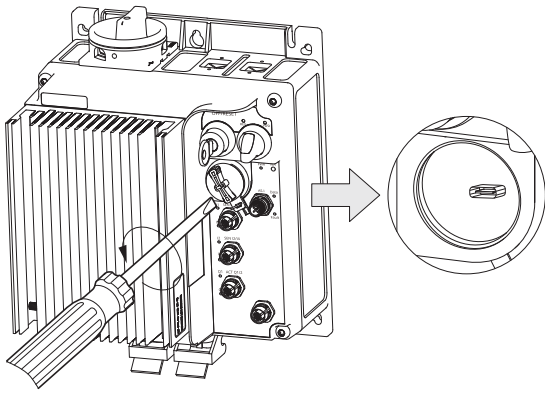
1	L+
2	I4
3	L-
4	I2
5	-



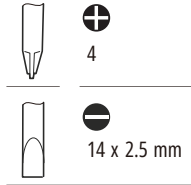
I1-I4 $\Sigma I \leq 160$ mA (internal 24V)
I5-I8 & Q1-Q2 $\Sigma I \leq 800$ mA (external 24V)



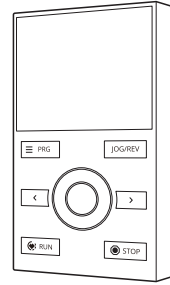
12/23 IL2312AV10CN



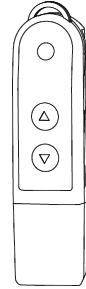
M32 x 1.5
2 Nm (17.7 lb-in)



RL5X-KEY-LED



RL5X-COM-STICK

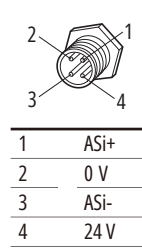
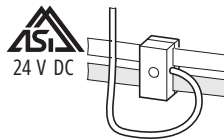
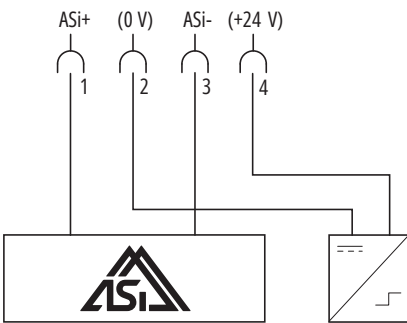


External Power Supply(24V)

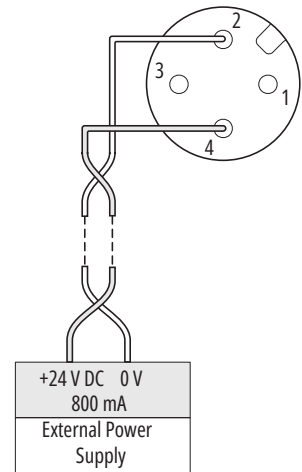
en External Power Supply(24V)

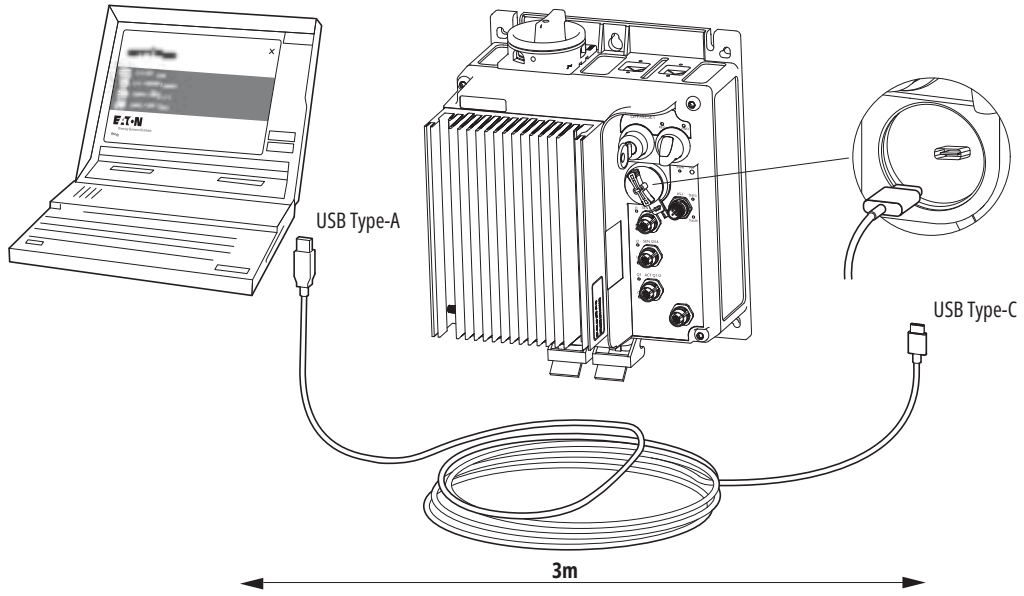
zh 外部24V电源连接

12/23 IL2312AV10CN

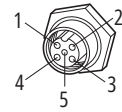
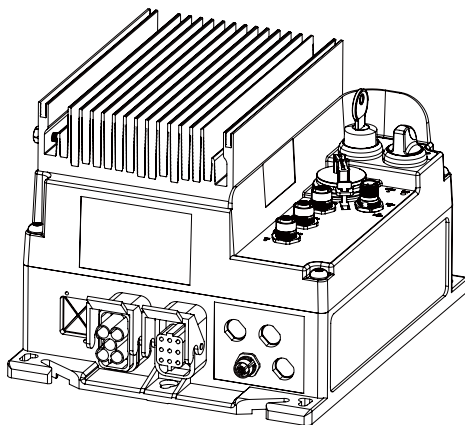


I5-I8 & Q1-Q2 need external 24V
I5-I8 & Q1-Q2 需要外部 24V 供电





Encoder (optional)

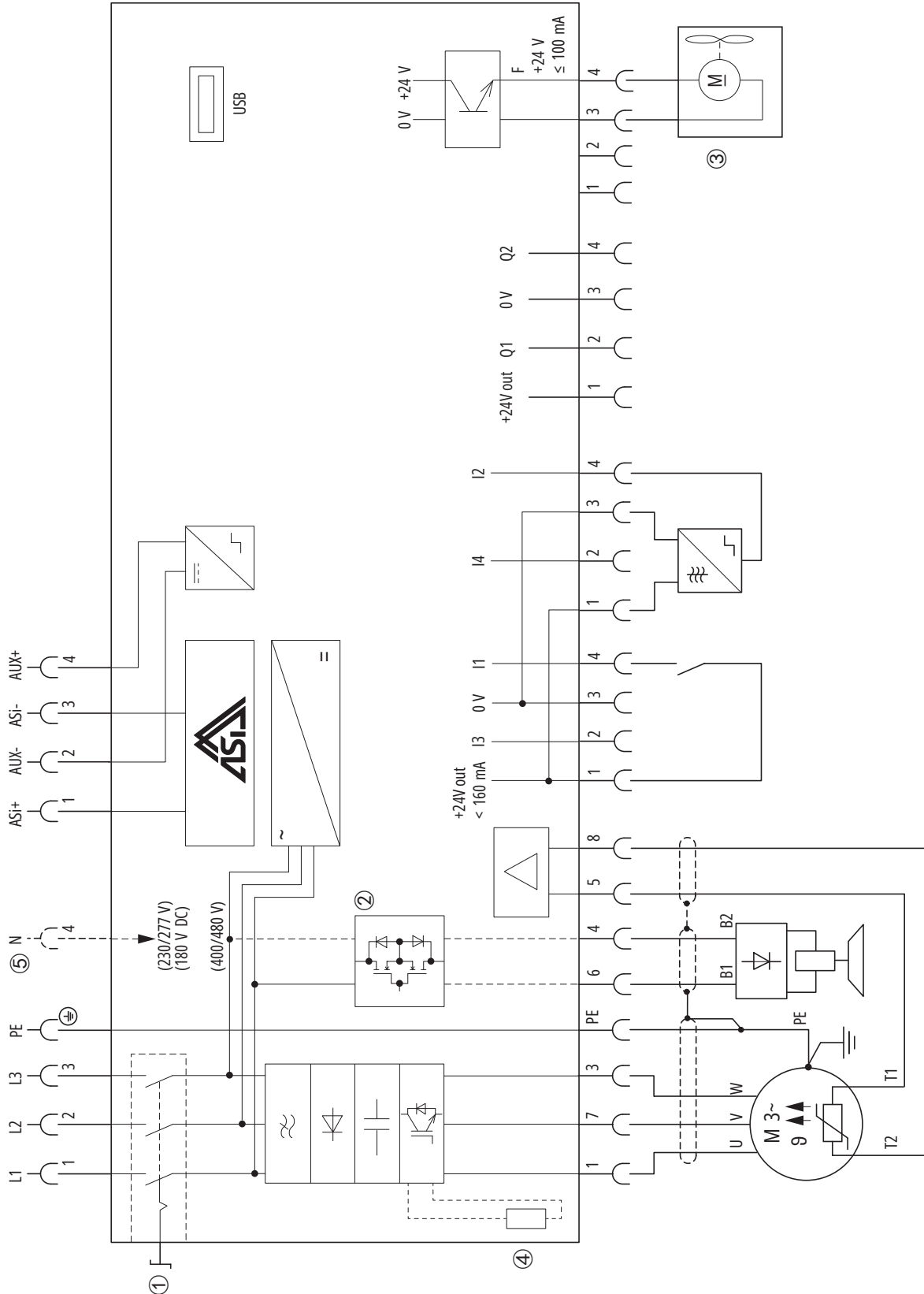


1	12V
2	B
3	GND
4	A
5	Z

RASP5X-...

3~ 380 - 480 V, N, PE, 50/60 Hz

- ① RASP5X-...-xxxR...
- ② RASP5X-xxx1... (180 V DC)
RASP5X-xxx2... (230/277 V)
RASP5X-xxx3... (400/480 V)
- ③ RASP5X-...-xxxxxx1xx (FAN)
- ④ RASP5X-...-xxxx1... (Brake resistor)
- ⑤ RASP5X-xxx1... (180 V DC), RASP5-xxx2... (230/277 V) **only**



12/23 IL2312AV10CN

