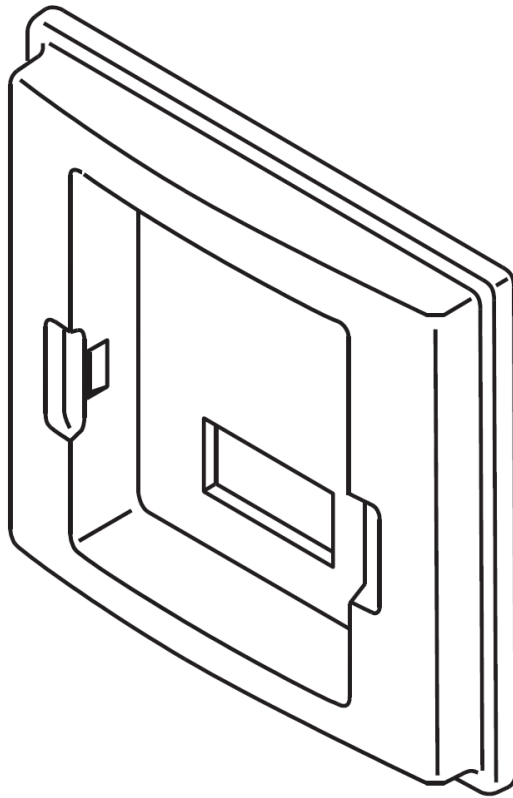


Door Keypad OPTRMT-KIT-9000X

Compact Footprint Design Equal to the SV9000 Remote Mount Keypad Kit



Important Notice – Please Read

The product discussed in this literature is subject to terms and conditions outlined in EATON. selling policies. The sole source governing the rights and remedies of any purchaser of this equipment is the relevant EATON. selling policy. NO WARRANTIES, EXPRESS OR IMPLIED, INCLUDING WARRANTIES OF FITNESS FOR A PARTICULAR PURPOSE OR MERCHANTABILITY, OR WARRANTIES ARISING FROM COURSE OF DEALING OR USAGE OF TRADE, ARE MADE REGARDING THE INFORMATION, RECOMMENDATIONS AND DESCRIPTIONS CONTAINED HEREIN. In no event will EATON. be responsible to the purchaser or user in contract, in tort (including negligence), strict liability or otherwise for any special, indirect, incidental or consequential damage or loss whatsoever, including but not limited to damage or loss of use of equipment, plant or power system, cost of capital, loss of power, additional expenses in the use of existing power facilities, or claims against the purchaser or user by its customers resulting from the use of the information, recommendations and descriptions contained herein. The information contained in this manual is subject to change without notice.

Table of Contents

LIST OF FIGURES	iii
SAFETY	iv
Definitions and Symbols	iv
Hazardous High Voltage	iv
CHAPTER 1 — DOOR KEYPAD OPTRMT-KIT-9000X CONTENTS	1-1
CHAPTER 2 — MOUNTING OF DOOR KEYPAD OPTRMT-KIT-9000X	2-1
CHAPTER 3 — DIMENSIONS	3-1

List of Figures

Figure 1-1: Contents of Door Keypad Kit 1-1
Figure 2-1: Connection of Drive Cable. 2-1
Figure 3-1: Approximate Keypad Drilling Template Dimensions in Inches (mm)..... 3-1
Figure 3-2: Approximate Dimensions in Inches (mm) 3-2

Safety

Definitions and Symbols

 **WARNING**

This symbol indicates high voltage. It calls your attention to items or operations that could be dangerous to you and other persons operating this equipment. Read the message and follow the instructions carefully.



This symbol is the "Safety Alert Symbol" It occurs with either of two signal words: CAUTION or WARNING, as described below.

 **WARNING**

Indicates a potentially hazardous situation which, if not avoided, can result in serious injury or death.

 **CAUTION**

Indicates a potentially hazardous situation which, if not avoided, can result in minor to moderate injury, or serious damage to the product. The situation described in the CAUTION may, if not avoided, lead to serious results. Important safety measures are described in CAUTION (as well as WARNING).

Hazardous High Voltage

WARNING

Motor control equipment and electronic controllers are connected to hazardous line voltages. When servicing drives and electronic controllers, there may be exposed components with housings or protrusions at or above line potential. Extreme care should be taken to protect against shock.

Stand on an insulating pad and make it a habit to use only one hand when checking components. Always work with another person in case an emergency occurs. Disconnect power before checking controllers or performing maintenance. Be sure equipment is properly grounded. Wear safety glasses whenever working on electronic controllers or rotating machinery.

Chapter 1 — Door Keypad OPTRMT-KIT-9000X Contents

The EATON Door Keypad is used for standard control keypad purposes and it is installed on the door of an electrical enclosure.

For the installation, you need the following parts (see **Figure 1-1**):

- G Door Keypad (1) — OPTRMT-KIT-9000X
- G 4 Screws (2) — Phillips Pan Head Thread Forming, 10 – 14 x 1/2
- G Connection Cable (3)
- G Mounting Plate (4)

MAKE SURE THAT YOU HAVE RECEIVED ALL NECESSARY PARTS!

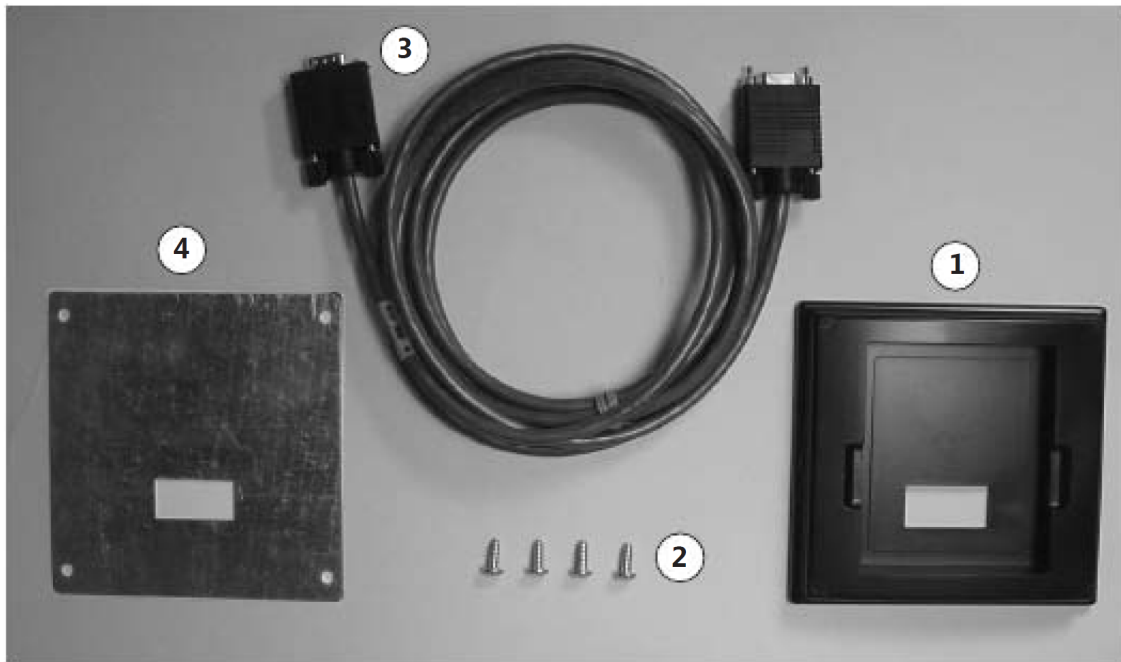


Figure 1-1: Contents of Door Keypad Kit

Chapter 2 — Mounting of Door Keypad OPTRMT-KIT-9000

1. Make an opening in the cabinet door for the control keypad using the Drilling Template Dimensions in Figure 3-1.
2. Also drill the mounting holes for the screws using the dimensions of Figure 3-1.
3. Place the control keypad in the opening so that the screw holes you made in the cabinet door are aligned to the holes on the backside of the control keypad.
4. Install the mounting plate to the inside of the cabinet door by installing the screws. The tightening torque is 10 lb-in (1.13 Nm).
5. Connect the drive cable to the terminal of the control keypad and the remote mount keypad.
6. Your EATON Door Keypad is now ready for operation.



Drive Connection Cable



Keypad Connector

Figure 2-1: Connection of Drive Cable

Chapter 3 — Dimensions

CUT HERE FOR TEMPLATE 

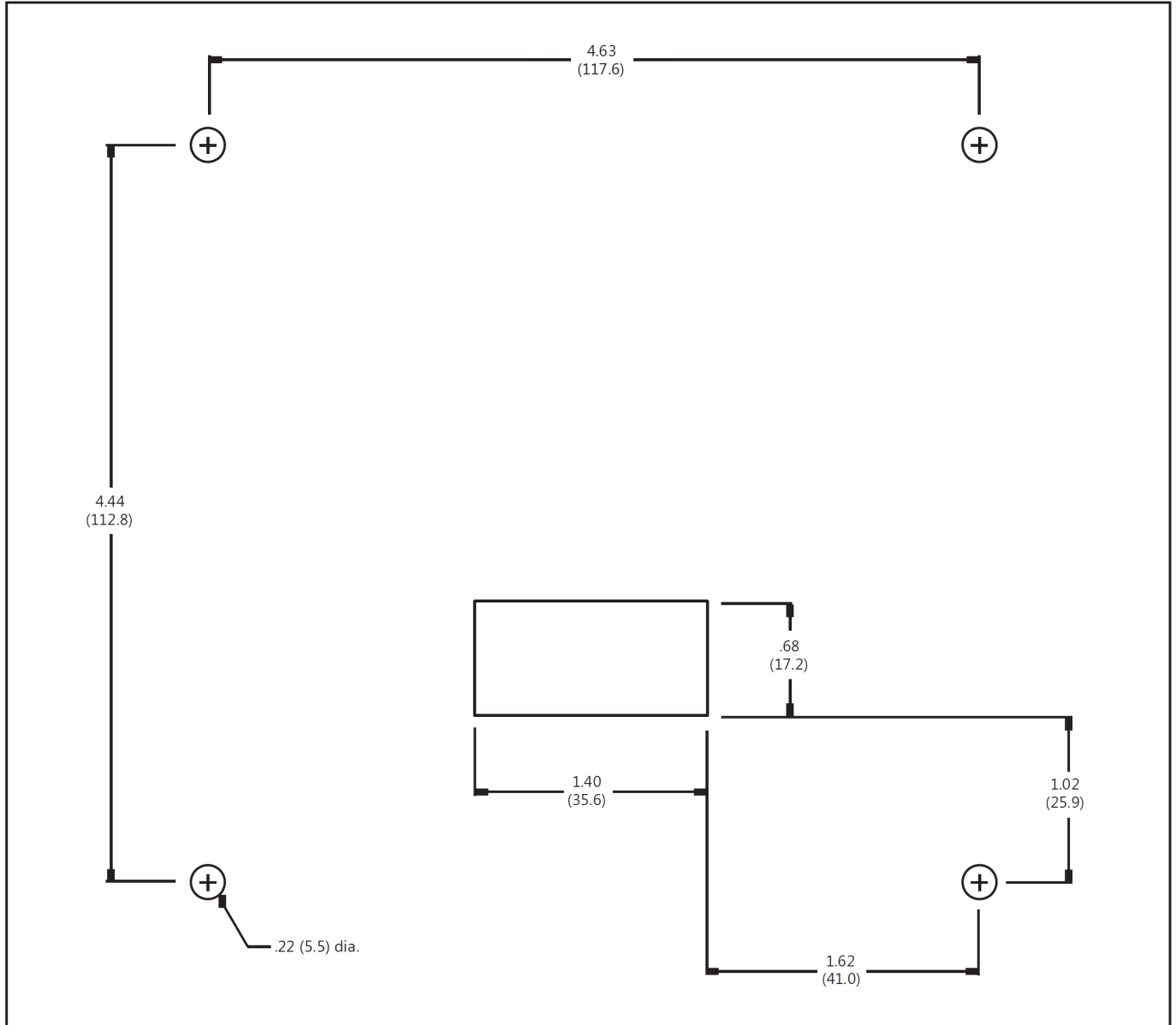


Figure 3-1: Approximate Keypad Drilling Template Dimensions in Inches (mm)

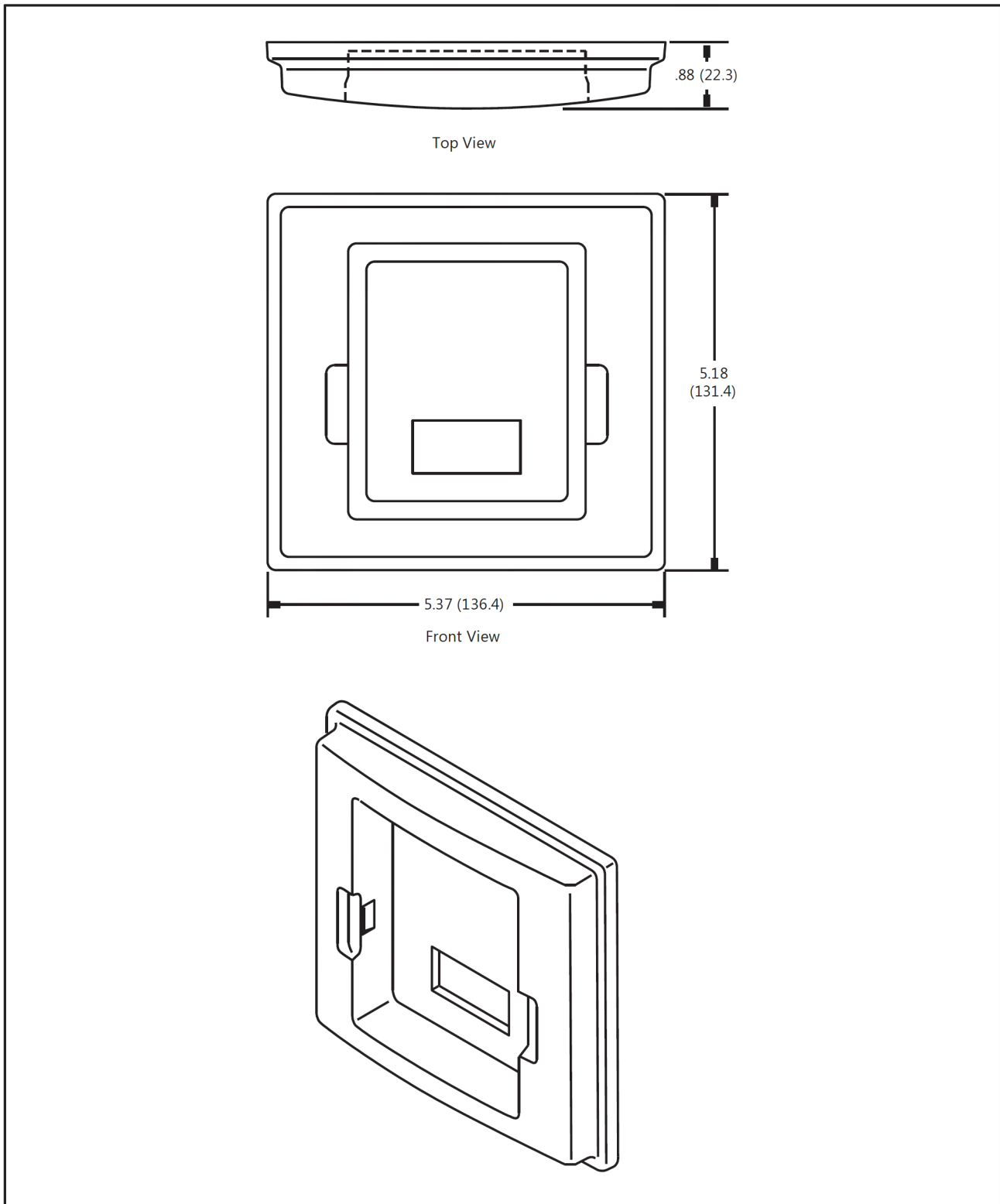


Figure 3-2: Approximate Dimensions in Inches (mm)

Company Information

Eaton is a global leader in electrical control, power distribution, and industrial automation products and services. Through advanced product development, world-class manufacturing methods, and global engineering services and support, Eaton provides customer-driven solutions, which globally serve the changing needs of the industrial, utility, light commercial, residential, and OEM markets. For more information, visit www.eaton.com.

EATON is a diversified industrial manufacturer with 2003 sales of \$8.1 billion. Eaton is a global leader in fluid power systems and services for industrial, mobile and aircraft equipment; electrical systems and components for power quality, distribution and control; automotive engine air management systems and powertrain controls for fuel economy; and intelligent drivetrain systems for fuel economy and safety in trucks. Eaton has 51,000 employees and sells products to customers in more than 100 countries. For more information, visit www.eaton.com.

Eaton Corporation
Electrical Sector
1111 Superior Ave.
Cleveland, OH 44114
United States
877-ETN-CARE (877-386-2273)
Eaton.com

© 2011 Eaton Corporation
All Rights Reserved
Publication No. MN04003016E / 001
July 2011