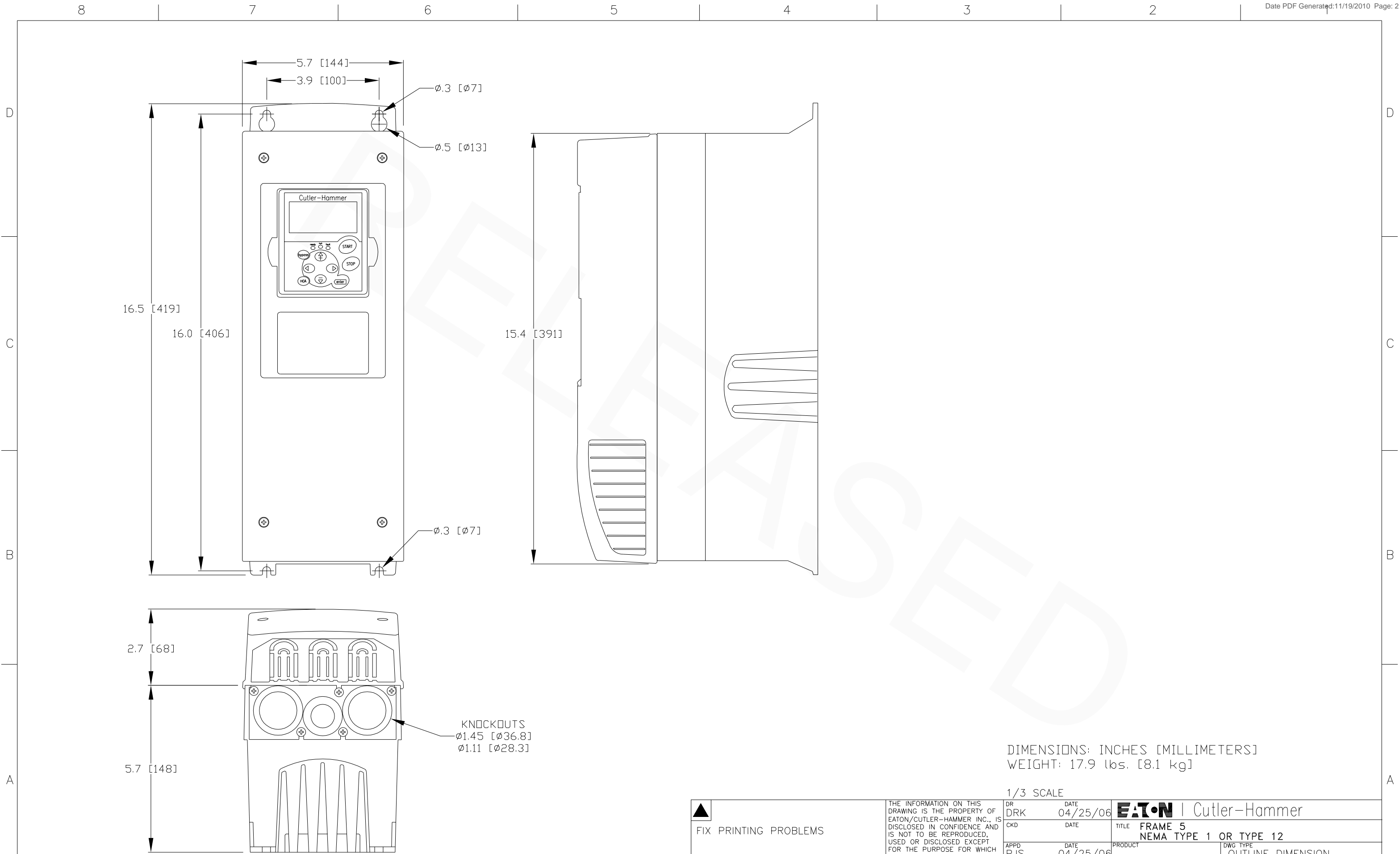


DIMENSIONS: INCHES [MILLIMETERS]  
 WEIGHT: 11 lbs. [5 kg]

1/3 SCALE

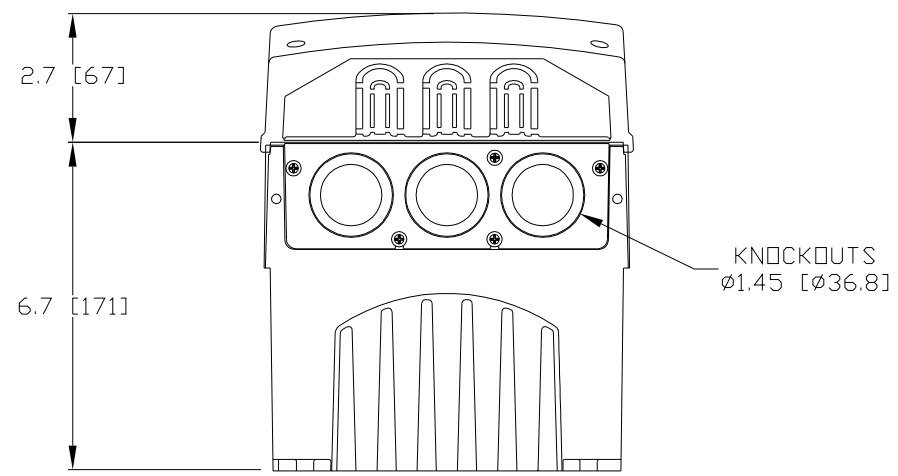
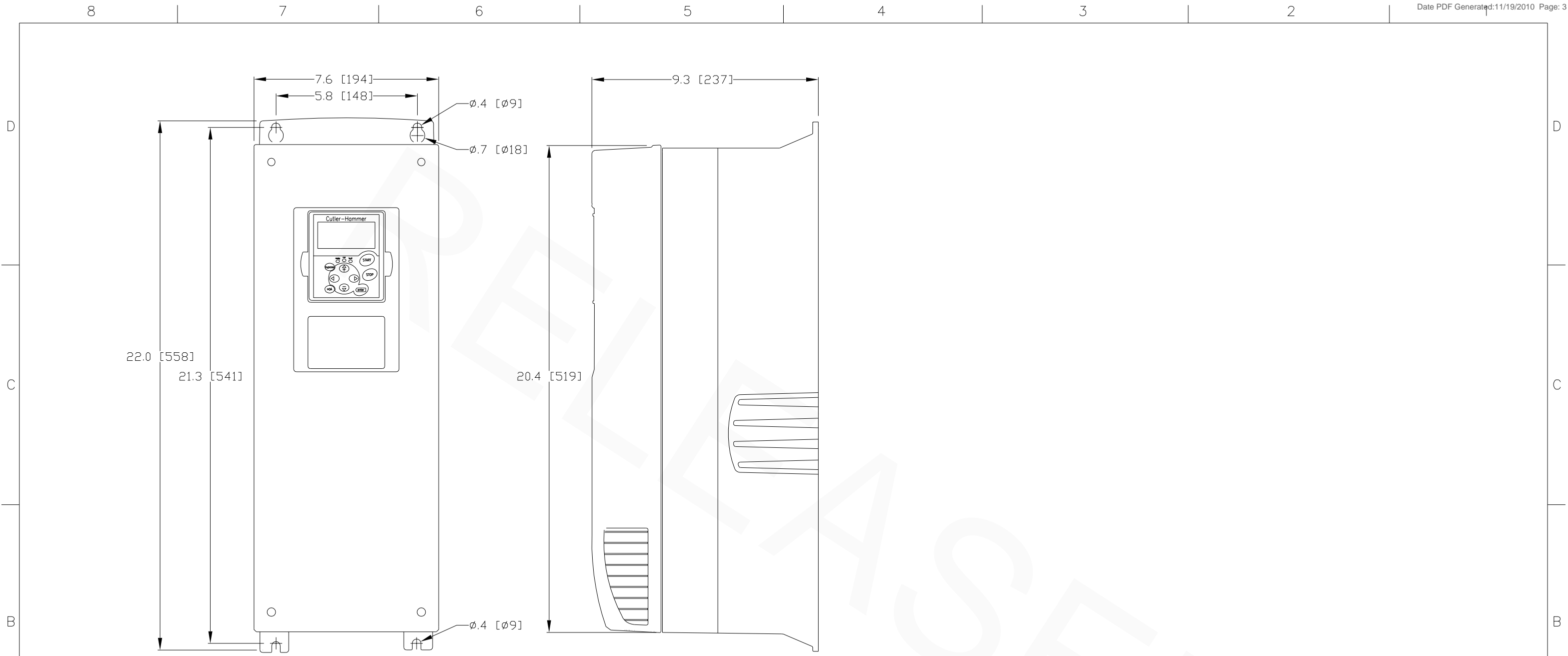
 THIRD ANGLE PROJECTION	FILE TYPE AutoCAD	.DWG FILENAME 100-009010	DWG. SIZE B	DR	DATE	Cutler-Hammer
				DRK	04/25/06	
				CKD	DATE	TITLE
				PJS	04/25/06	FRAME 4 NEMA TYPE 1 OR TYPE 12
				APPD	DATE	PRODUCT
				PJS	04/25/06	OUTLINE DIMENSION
				ECO NUMBER	REVISION	G.O. NUMBER
				8809	06	DWG NO. 100-009010-0004
						SHEET 1 OF 1



DIMENSIONS: INCHES [MILLIMETERS]  
 WEIGHT: 17.9 (lbs. [8.1 kg])

1/3 SCALE

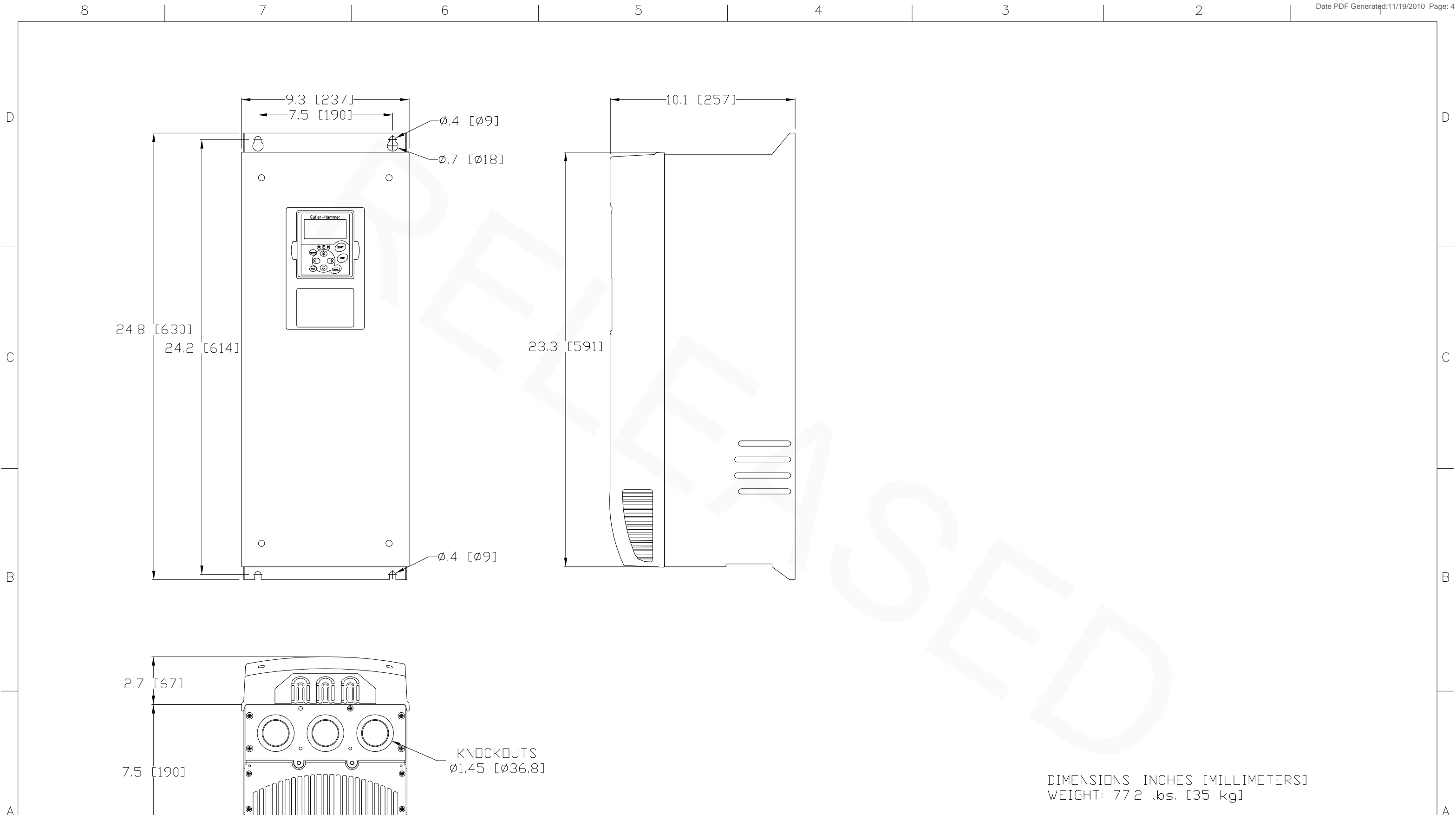
 THIRD ANGLE PROJECTION	THE INFORMATION ON THIS DRAWING IS THE PROPERTY OF EATON/CUTLER-HAMMER INC., IS DISCLOSED IN CONFIDENCE AND IS NOT TO BE REPRODUCED, USED OR DISCLOSED EXCEPT FOR THE PURPOSE FOR WHICH FURNISHED.	DR	DATE	Cutler-Hammer	
		DRK	04/25/06		
FIX PRINTING PROBLEMS		CKD	DATE	TITLE	
		PJS	04/25/06	FRAME 5 NEMA TYPE 1 OR TYPE 12	
FILE TYPE AutoCAD	.DWG FILENAME 100-009010	DWG. SIZE B	ECO NUMBER 8809	REVISION 06	PRODUCT OUTLINE DIMENSION
			G.O. NUMBER	DWG. NO.	SHEET
				100-009010-0005	1 OF 1



DIMENSIONS: INCHES [MILLIMETERS]  
 WEIGHT: 40.8 lbs. [18.5 kg]

1/4 SCALE

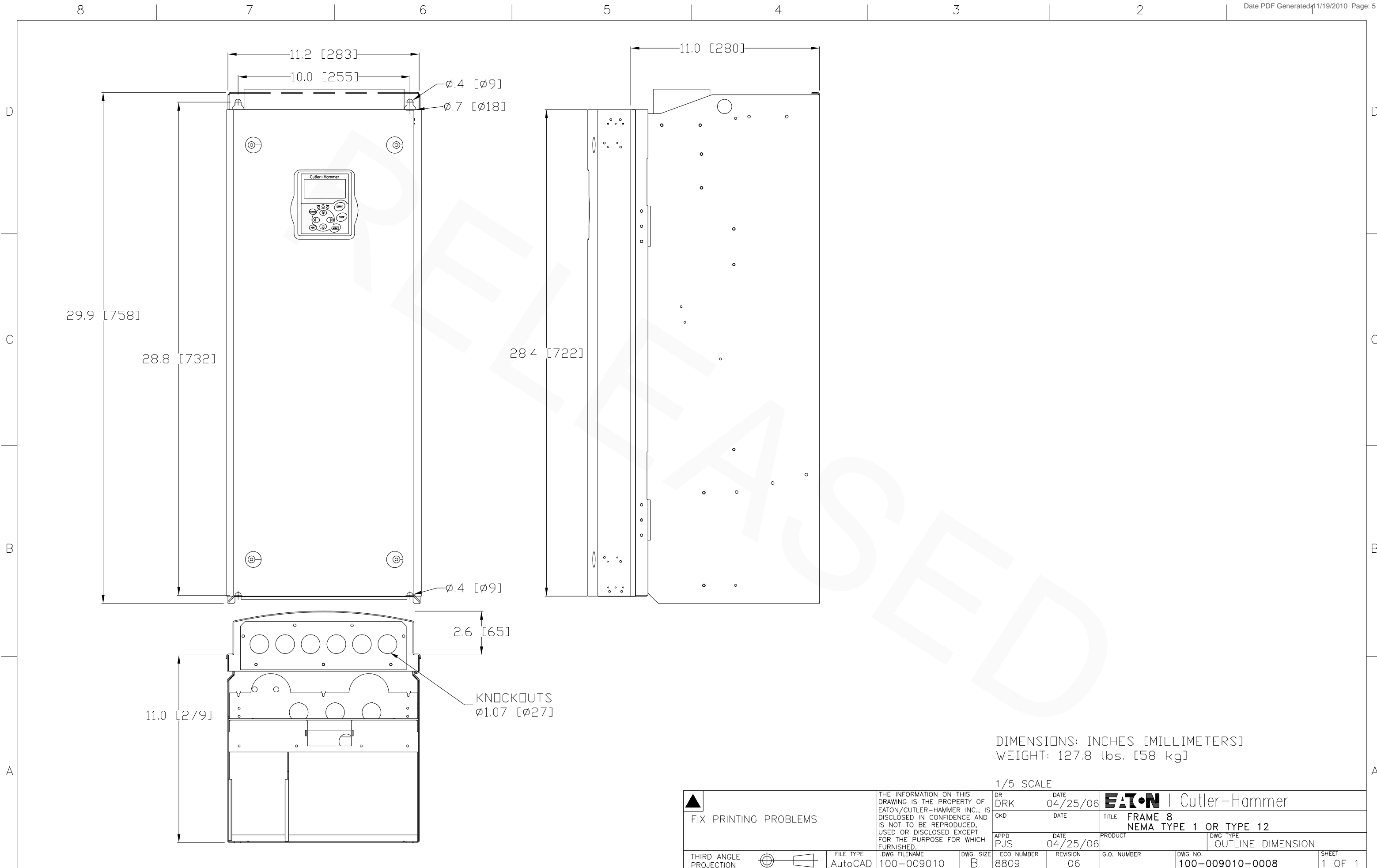
▲ FIX PRINTING PROBLEMS	THE INFORMATION ON THIS DRAWING IS THE PROPERTY OF EATON/CUTLER-HAMMER INC., IS DISCLOSED IN CONFIDENCE AND IS NOT TO BE REPRODUCED, USED OR DISCLOSED EXCEPT FOR THE PURPOSE FOR WHICH FURNISHED.		DR DRK	DATE 04/25/06	<b>EATON</b>   Cutler-Hammer	
			CKD	DATE	TITLE FRAME 6 NEMA TYPE 1 OR TYPE 12	PRODUCT OUTLINE DIMENSION
THIRD ANGLE PROJECTION		FILE TYPE AutoCAD	.DWG FILENAME 100-009010	DWG. SIZE B	ECO NUMBER 8809	REVISION 06
			G.O. NUMBER	DWG NO. 100-009010-0006	SHEET 1 OF 1	



DIMENSIONS: INCHES [MILLIMETERS]  
 WEIGHT: 77.2 lbs. [35 kg]

1/5 SCALE

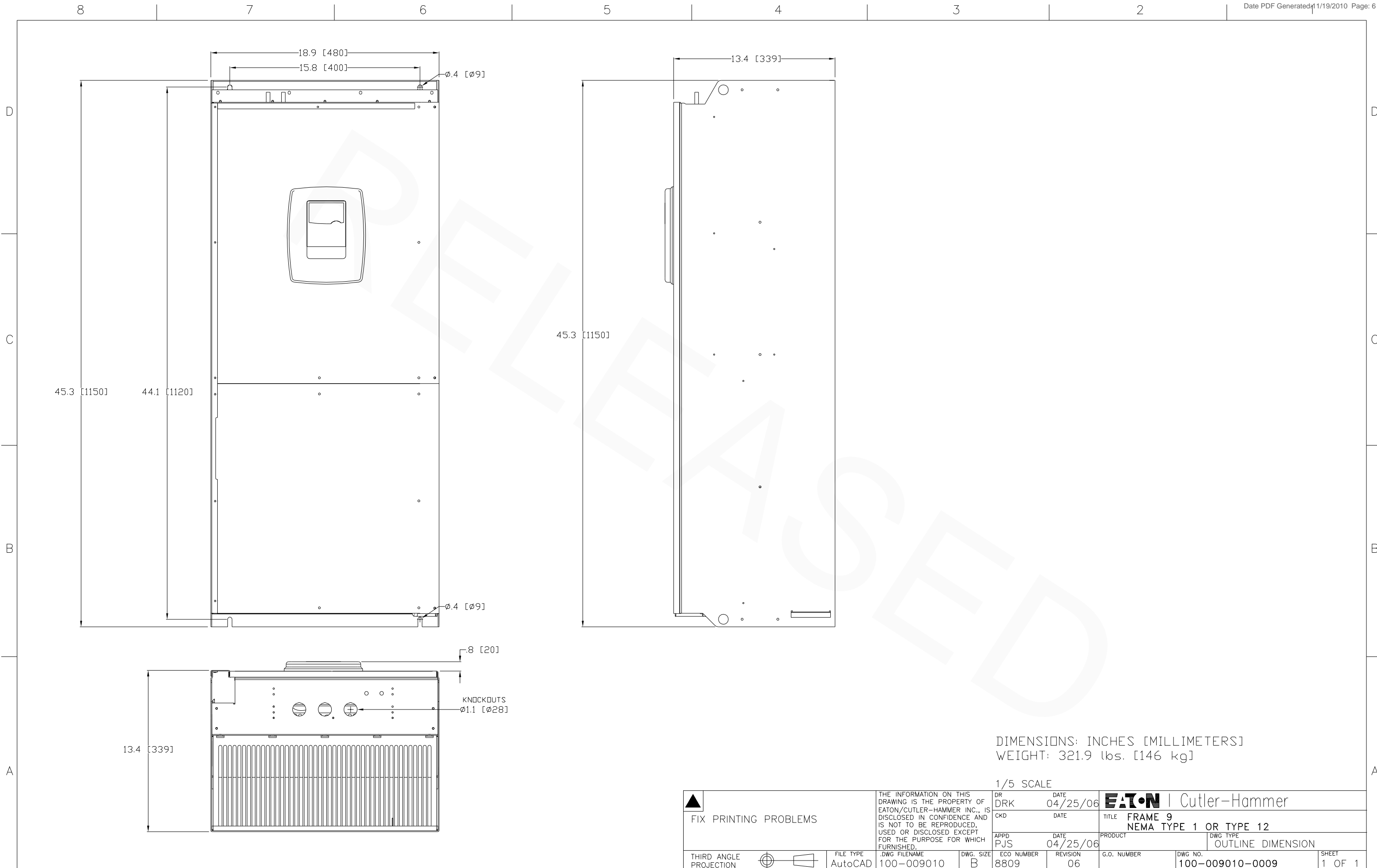
 THIRD ANGLE PROJECTION	FIX PRINTING PROBLEMS	THE INFORMATION ON THIS DRAWING IS THE PROPERTY OF EATON/CUTLER-HAMMER INC., IS DISCLOSED IN CONFIDENCE AND IS NOT TO BE REPRODUCED, USED OR DISCLOSED EXCEPT FOR THE PURPOSE FOR WHICH FURNISHED.	DR	DATE	Cutler-Hammer
			DRK	04/25/06	
			CKD	DATE	TITLE
			PJS	04/25/06	FRAME 7 NEMA TYPE 1 OR TYPE 12
			APPD	DATE	PRODUCT
					OUTLINE DIMENSION
			ECO NUMBER	REVISION	G.O. NUMBER
			8809	06	
			DWG. SIZE	DWG. NO.	SHEET
			B	100-009010-0007	1 OF 1



DIMENSIONS: INCHES [MILLIMETERS]  
 WEIGHT: 127.8 lbs. [58 kg]

1/5 SCALE

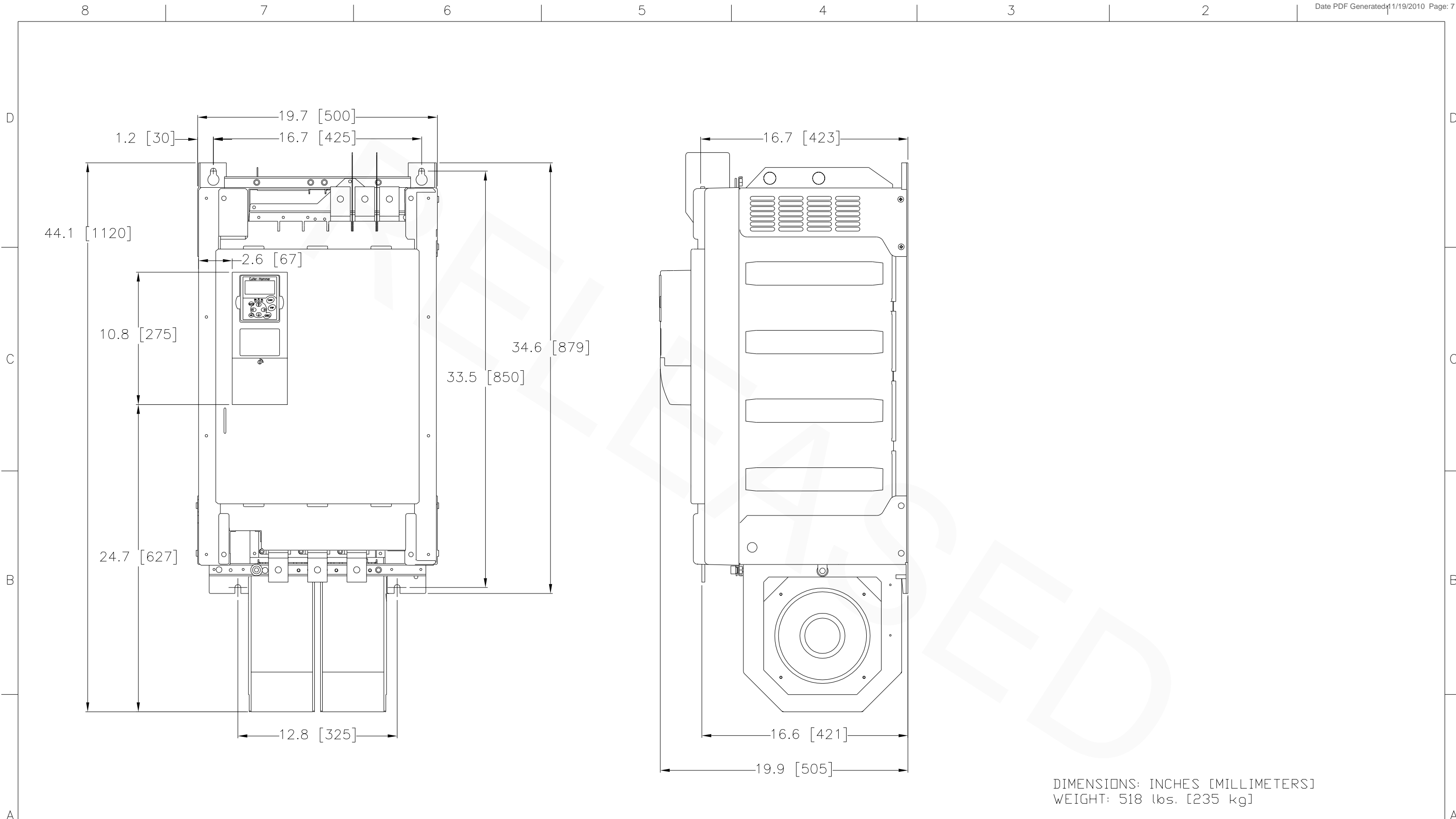
 THIRD ANGLE PROJECTION	FIX PRINTING PROBLEMS	THE INFORMATION ON THIS DRAWING IS THE PROPERTY OF EATON/CUTLER-HAMMER INC., IS DISCLOSED IN CONFIDENCE AND IS NOT TO BE REPRODUCED, USED OR DISCLOSED EXCEPT FOR THE PURPOSE FOR WHICH FURNISHED.	DR	DATE	 Eaton   Cutler-Hammer
			DRK	04/25/06	
			CKD	DATE	TITLE
					FRAME 8
			APPD	DATE	PRODUCT
			PJS	04/25/06	NEMA TYPE 1 OR TYPE 12
			ECO NUMBER	REVISION	DWG TYPE
			8809	06	OUTLINE DIMENSION
			DWG. SIZE	G.O. NUMBER	DWG. NO.
			B		100-009010-0008
			FILE TYPE		SHEET
			AutoCAD		1 OF 1
			.DWG FILENAME		
			100-009010		



DIMENSIONS: INCHES [MILLIMETERS]  
 WEIGHT: 321.9 lbs. [146 kg]

1/5 SCALE

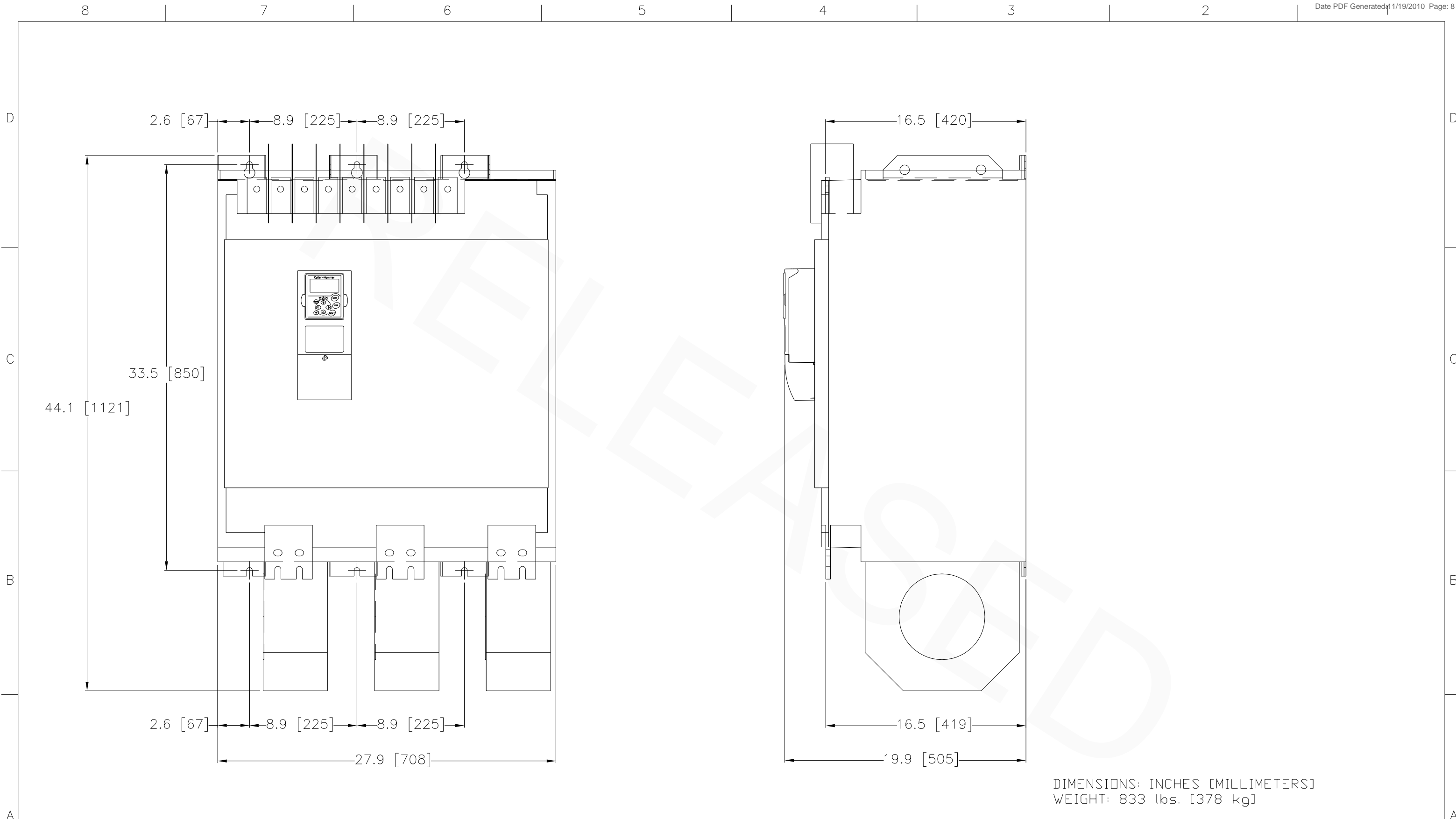
 THIRD ANGLE PROJECTION	FIX PRINTING PROBLEMS	THE INFORMATION ON THIS DRAWING IS THE PROPERTY OF EATON/CUTLER-HAMMER INC., IS DISCLOSED IN CONFIDENCE AND IS NOT TO BE REPRODUCED, USED OR DISCLOSED EXCEPT FOR THE PURPOSE FOR WHICH FURNISHED.	DR	DATE	Cutler-Hammer
			DRK	04/25/06	
			CKD	DATE	TITLE
			PJS	04/25/06	FRAME 9
			APPD	DATE	PRODUCT
					NEMA TYPE 1 OR TYPE 12
			ECO NUMBER	REVISION	DWG TYPE
			8809	06	OUTLINE DIMENSION
			G.O. NUMBER	DWG NO.	SHEET
				100-009010-0009	1 OF 1



DIMENSIONS: INCHES [MILLIMETERS]  
 WEIGHT: 518 lbs. [235 kg]

1/5 SCALE

FIX PRINTING PROBLEMS	THE INFORMATION ON THIS DRAWING IS THE PROPERTY OF EATON/CUTLER-HAMMER INC., IS DISCLOSED IN CONFIDENCE AND IS NOT TO BE REPRODUCED, USED OR DISCLOSED EXCEPT FOR THE PURPOSE FOR WHICH FURNISHED.		DR DATE DRK 04/25/06	<b>EATON</b>   Cutler-Hammer	
			CKD DATE DATE	TITLE FRAME 10 OPEN CHASSIS	
		APPD DATE PJS 04/25/06		PRODUCT OUTLINE DIMENSION	
THIRD ANGLE PROJECTION 	FILE TYPE AutoCAD	.DWG FILENAME 100-009010	DWG. SIZE B	ECO NUMBER 8809	REVISION 06
			G.O. NUMBER 100-009010-0010	DWG NO. 100-009010-0010	SHEET 1 OF 1



DIMENSIONS: INCHES [MILLIMETERS]  
 WEIGHT: 833 (lbs. [378 kg])

1/5 SCALE

 THIRD ANGLE PROJECTION	FILE TYPE AutoCAD	.DWG FILENAME 100-009010	DWG. SIZE B	ECO NUMBER 8809	REVISION 06	DR DATE DRK 04/25/06	DATE 04/25/06	TITLE FRAME 11 OPEN CHASSIS	PRODUCT DWG TYPE OUTLINE DIMENSION
						APPD DATE PJS 04/25/06			