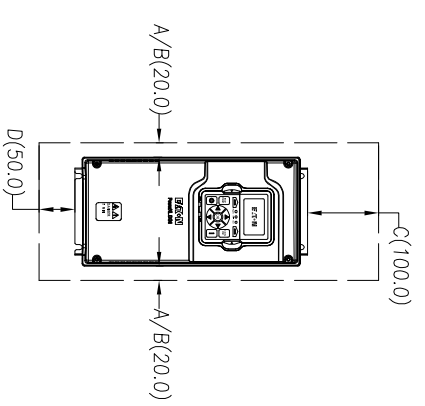
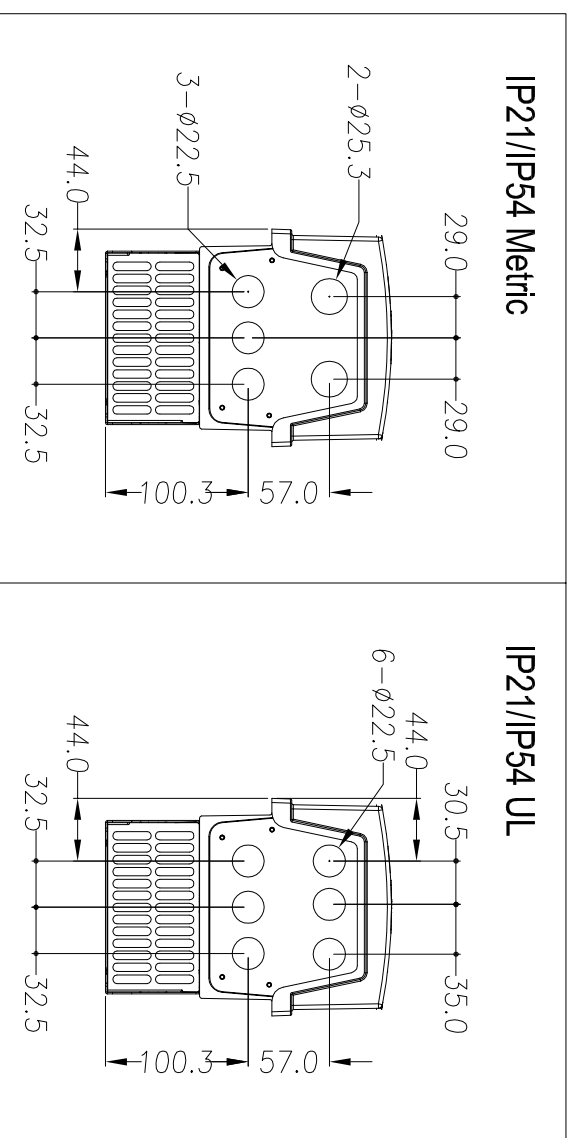
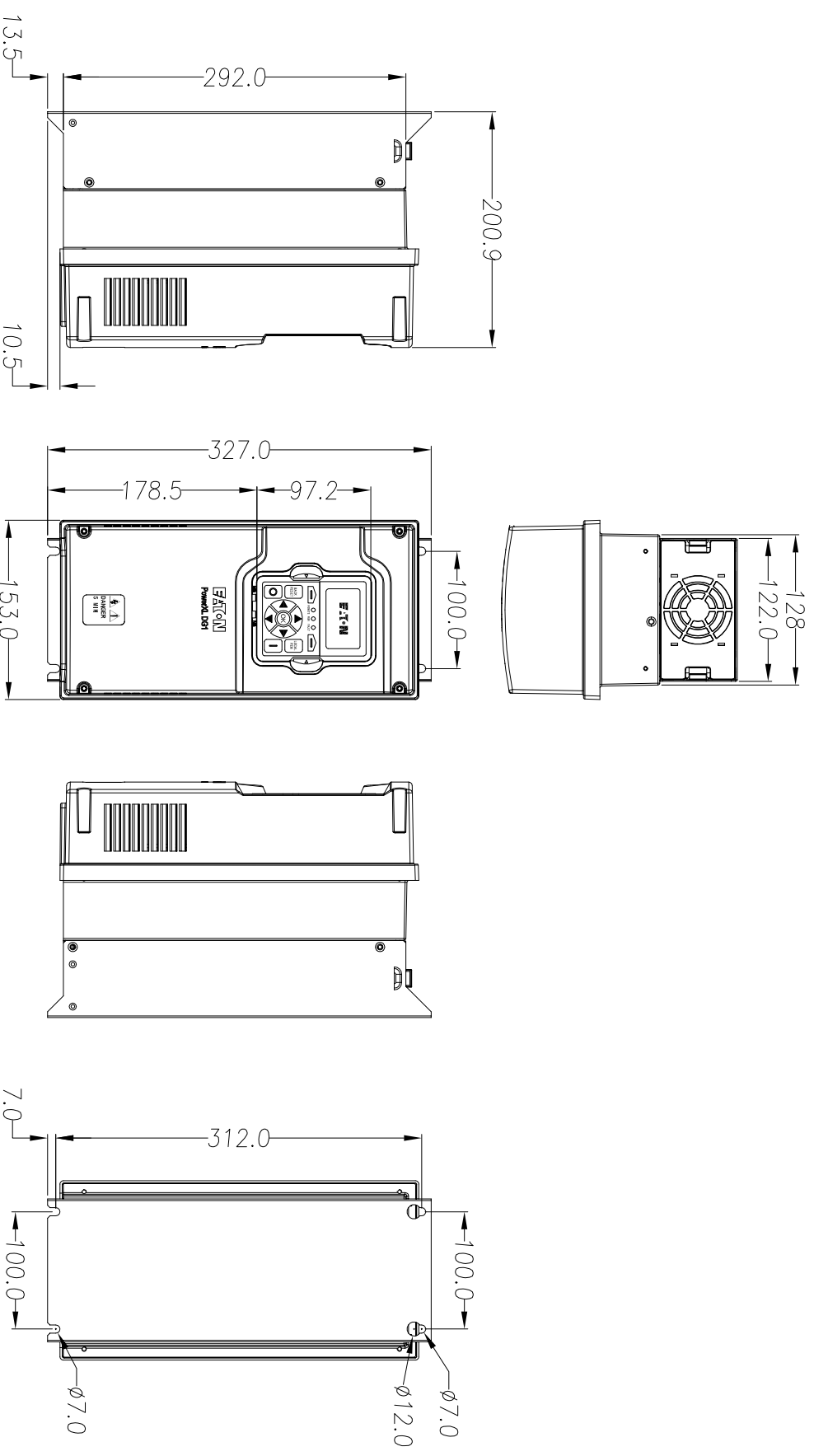
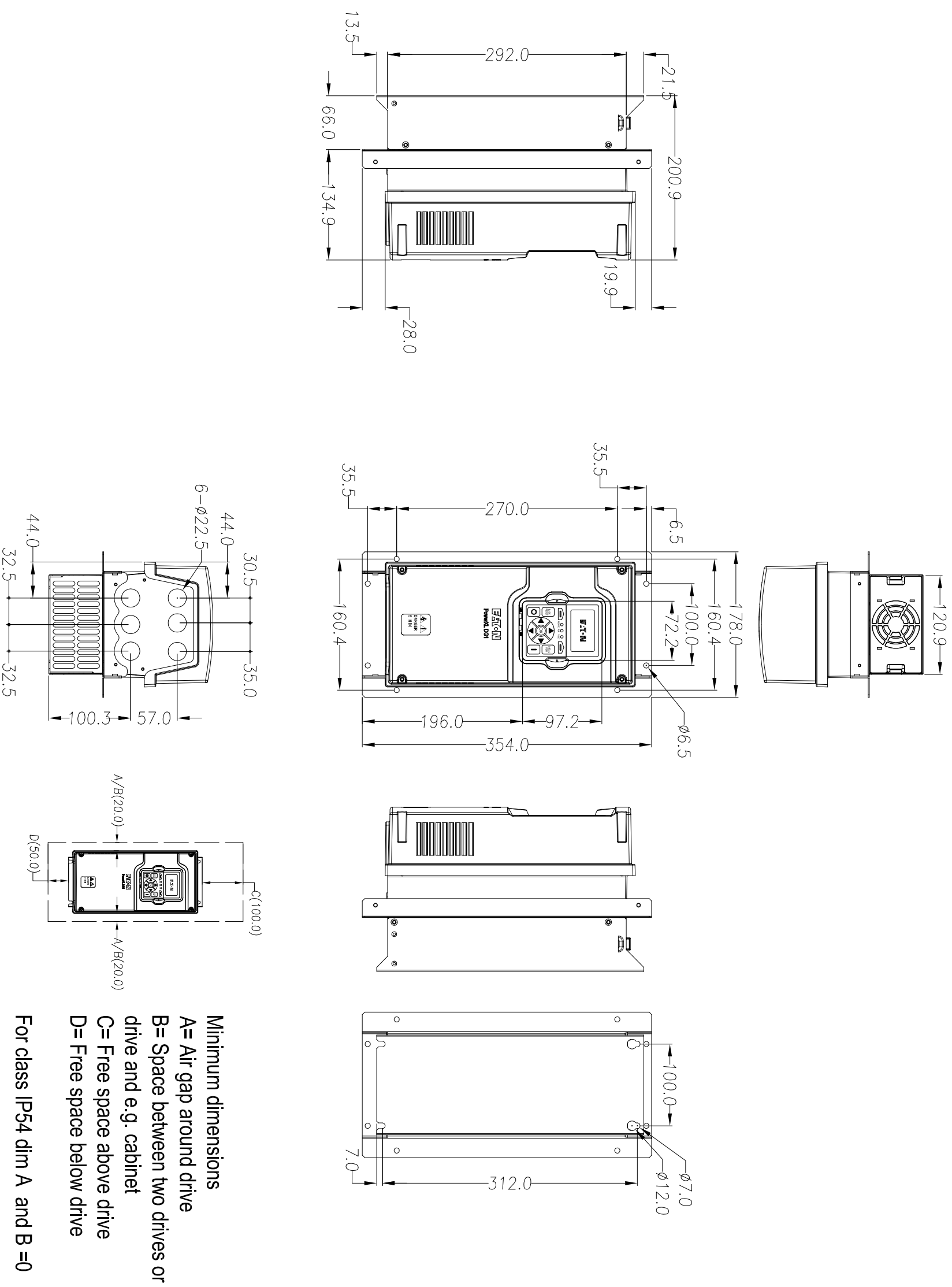


FR1 Dimension drawing

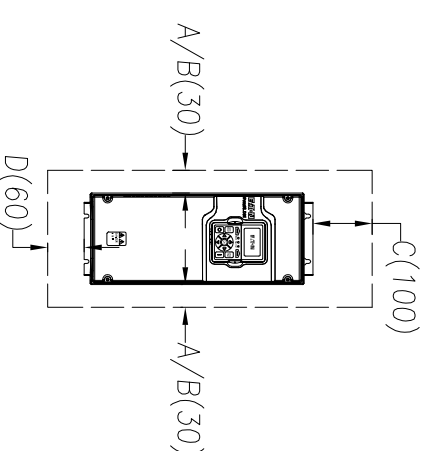
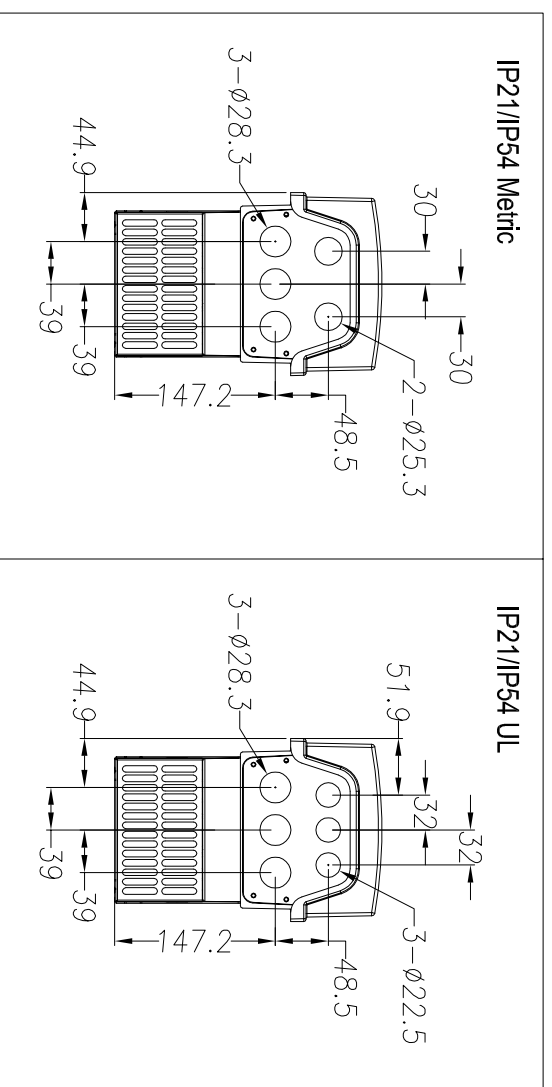
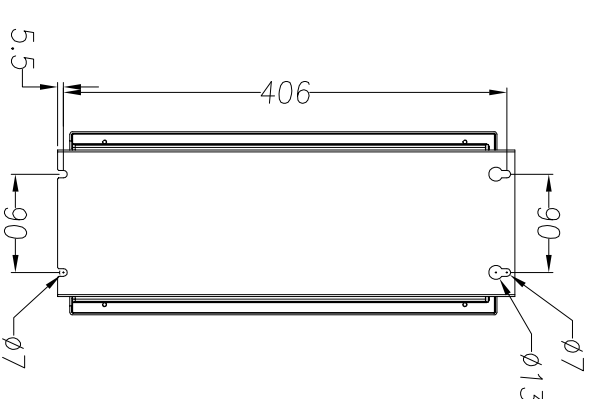
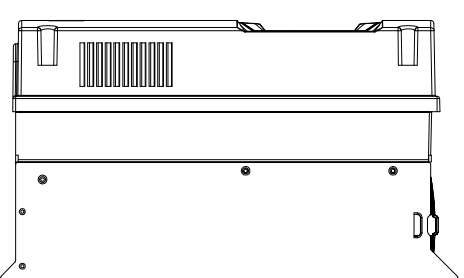
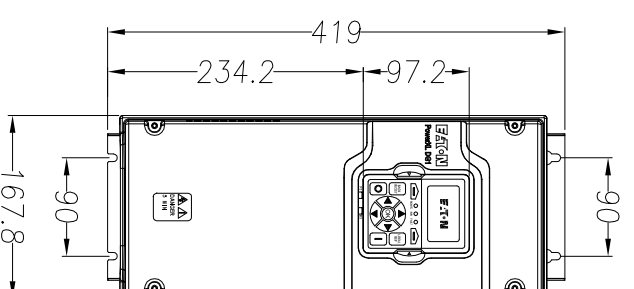
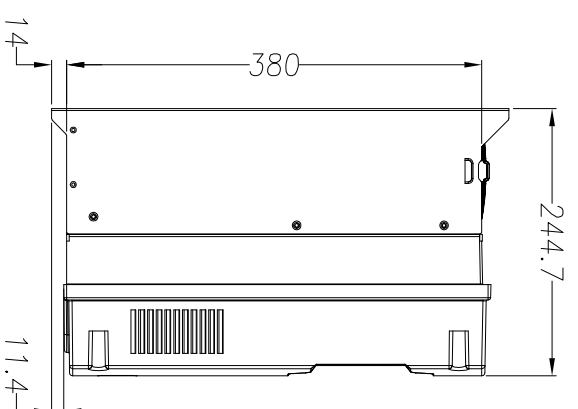
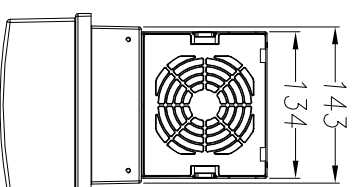


Minimum dimensions
 A= Air gap around drive
 B= Space between two drives or drive and e.g. cabinet
 C= Free space above drive
 D= Free space below drive
 For class IP54 dim A and B =0

FR1 Dimension drawing flange mount

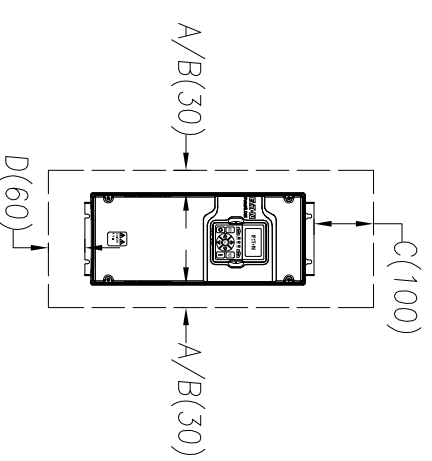
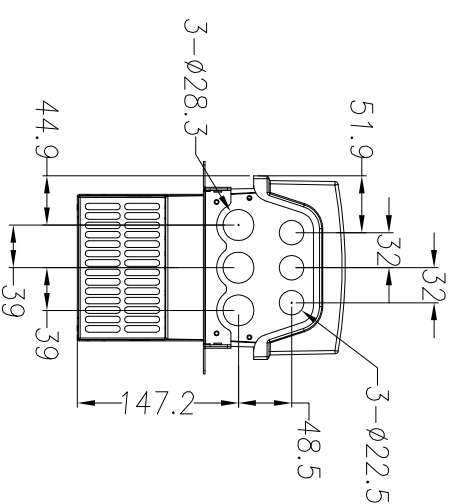
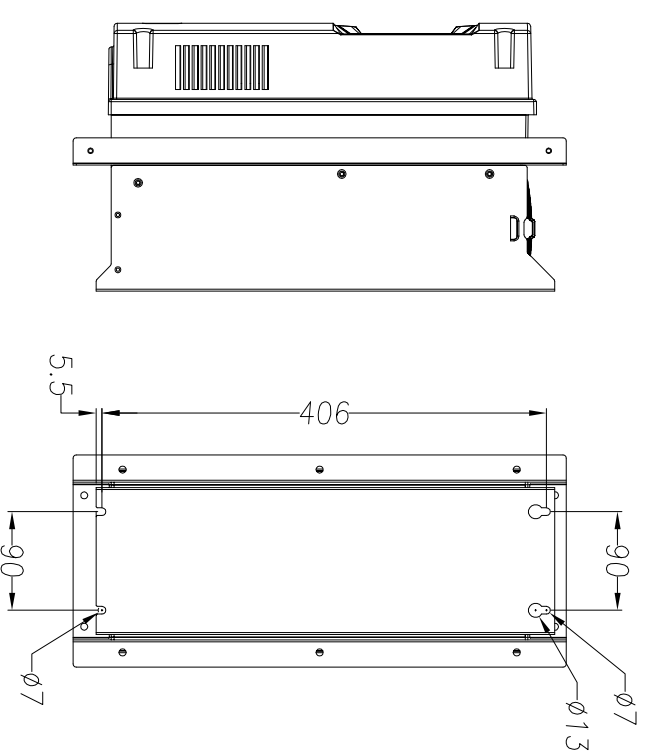
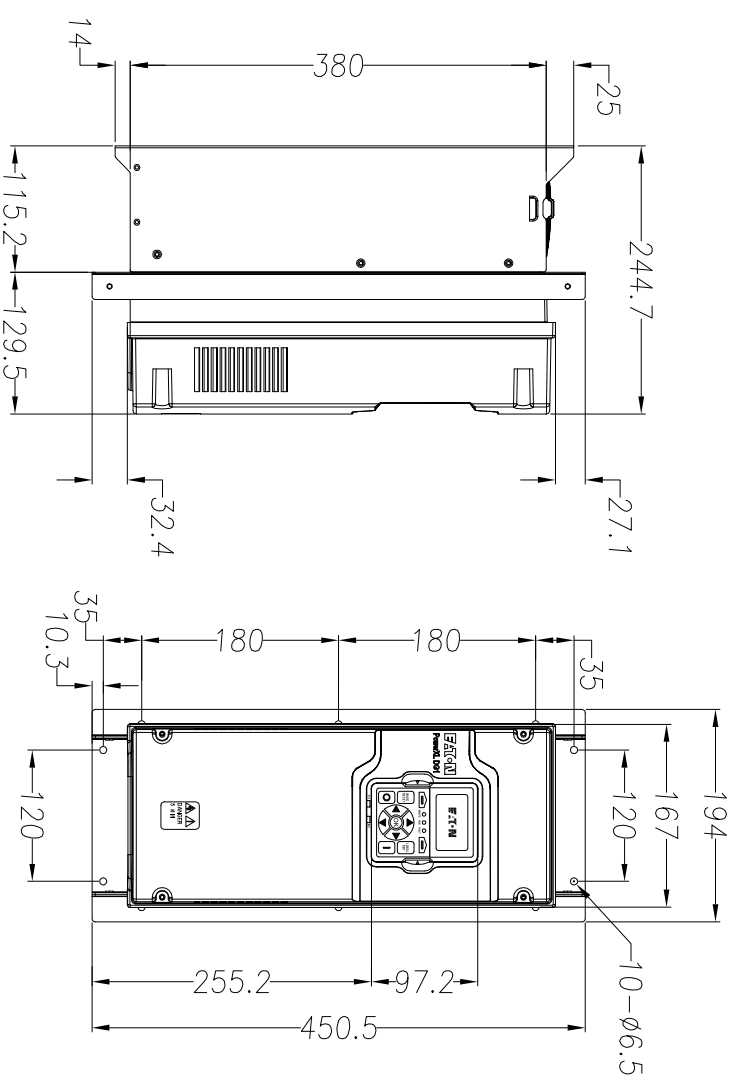
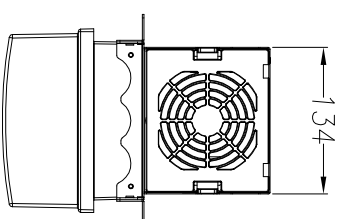


FR2 Dimension drawing



Minimum dimensions
 A= Air gap around drive
 B= Space between two drives or drive and e.g. cabinet
 C= Free space above drive
 D= Free space below drive
 For class IP54 dim A and B=0

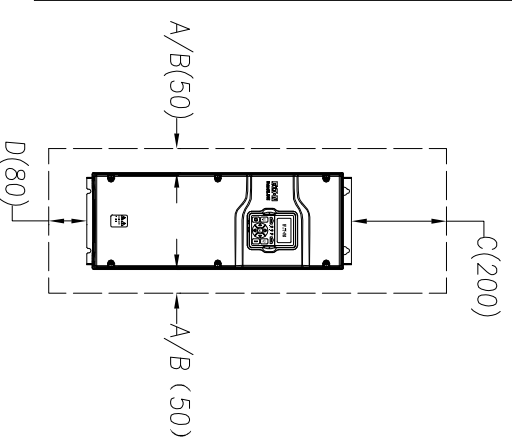
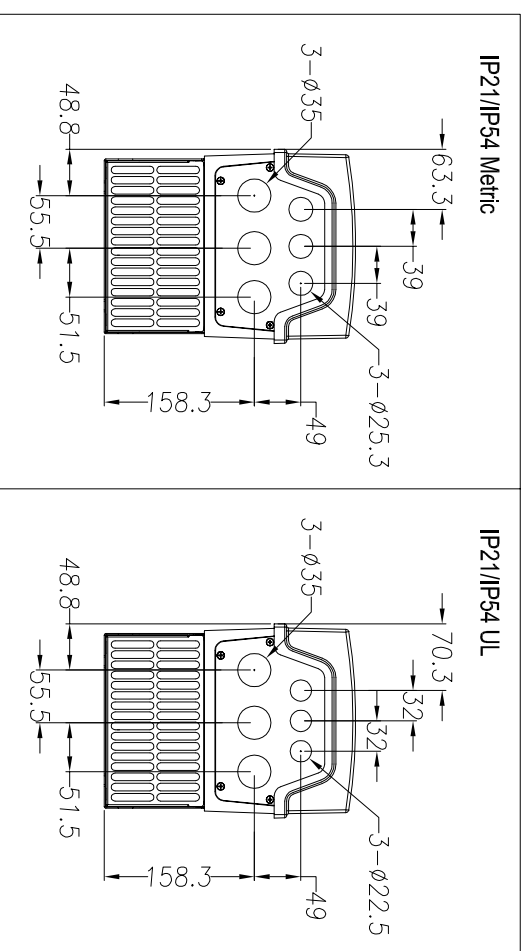
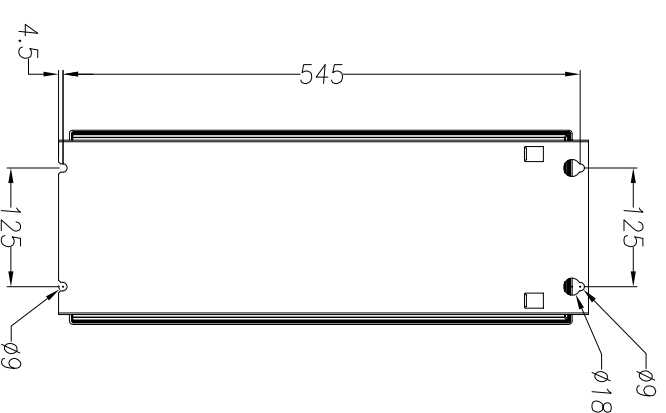
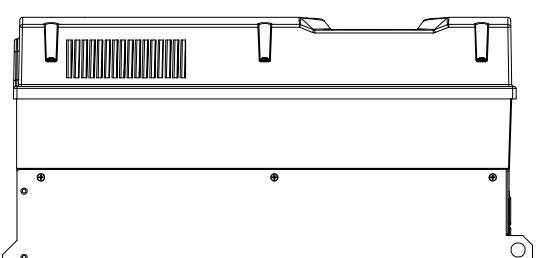
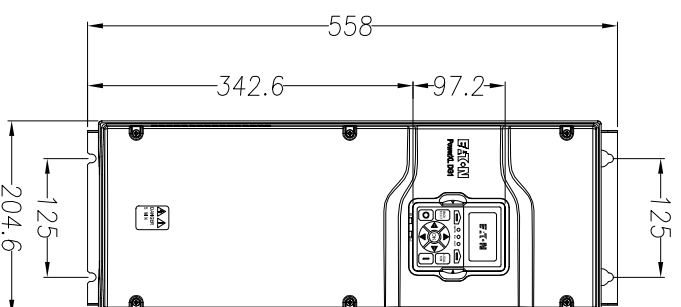
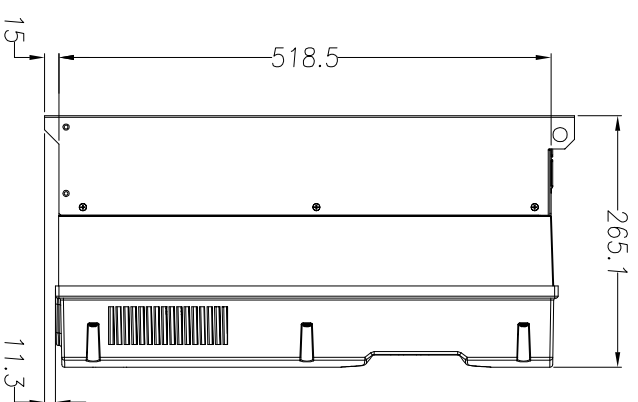
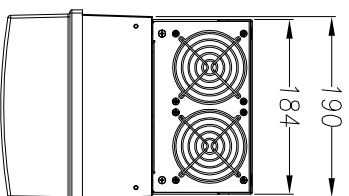
FR2 Dimension drawing flange mount



- Minimum dimensions
 A= Air gap around drive
 B= Space between two drives or drive and e.g. cabinet
 C= Free space above drive
 D= Free space below drive

For class IP54 dim A and B = 0

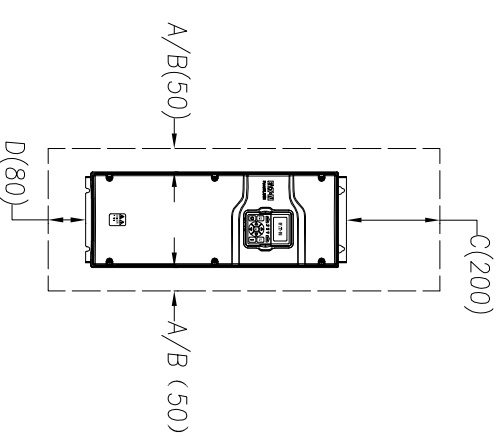
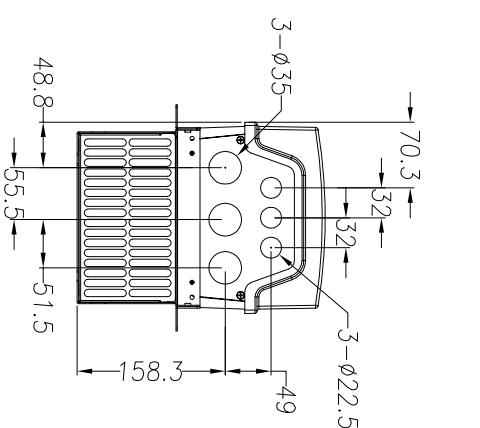
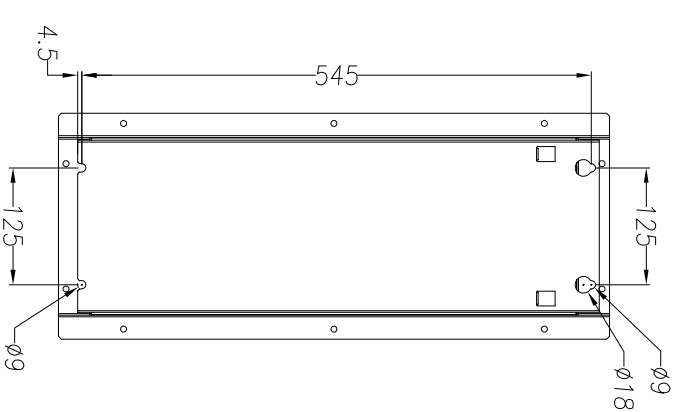
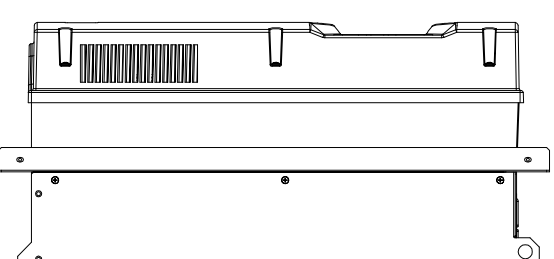
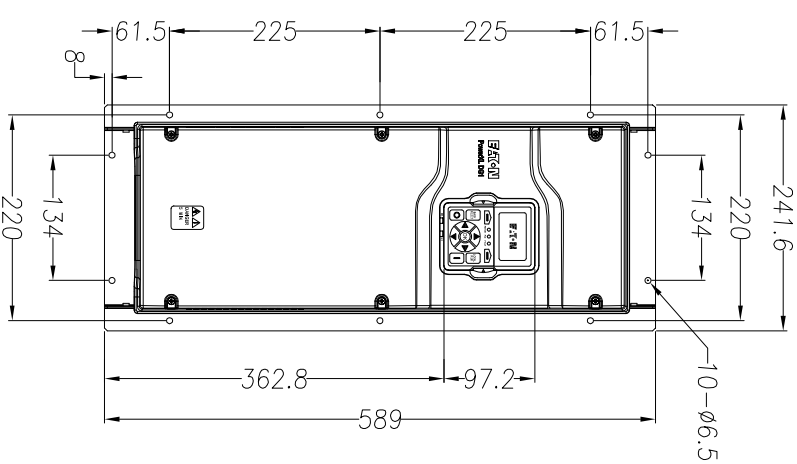
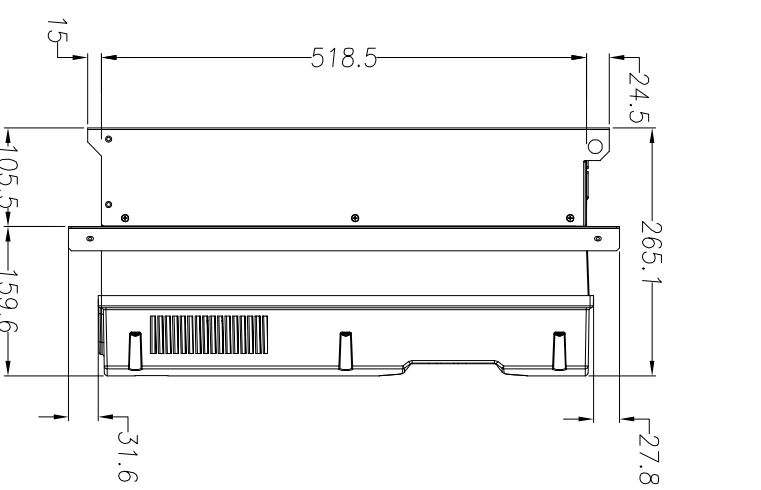
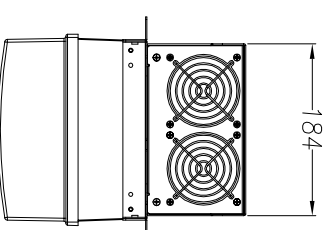
FR3 Dimension drawing



Minimum dimensions
 A= Air gap around drive
 B= Space between two drives or drive and e.g. cabinet
 C= Free space above drive
 D= Free space below drive

For class IP54 dim A and B=0

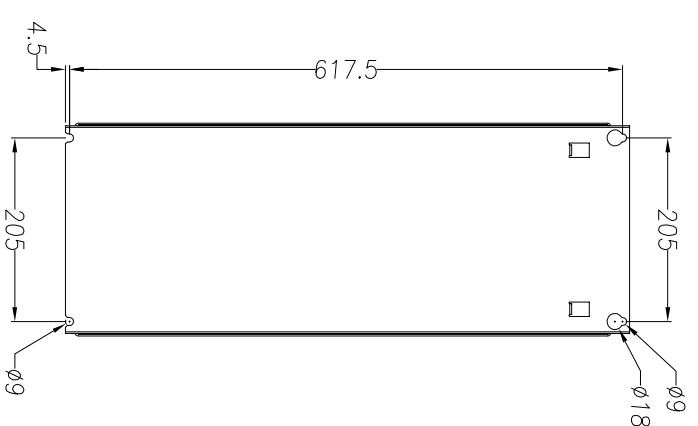
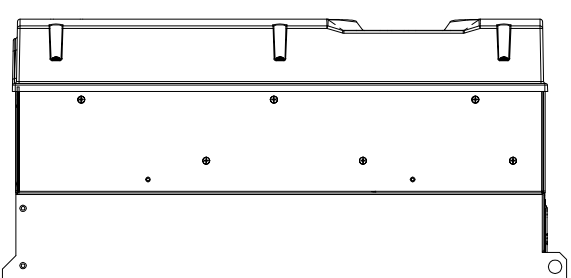
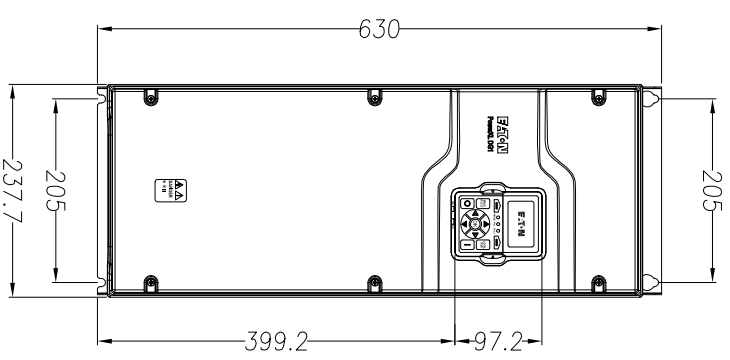
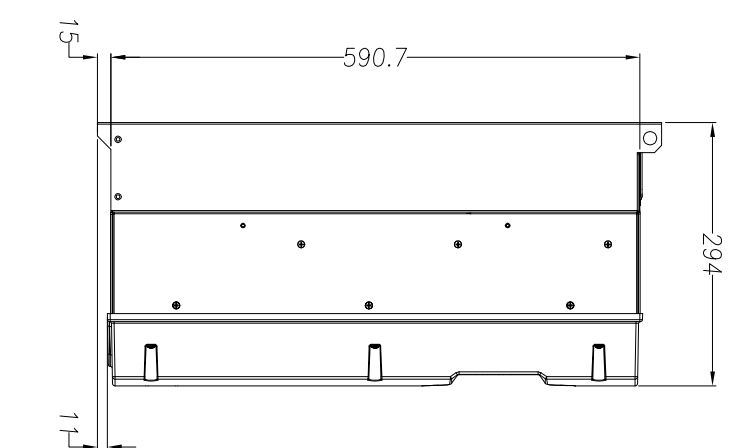
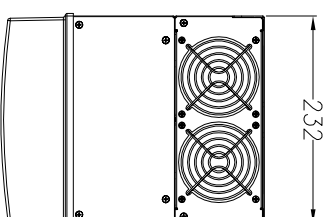
FR3 Dimension drawing flange mount



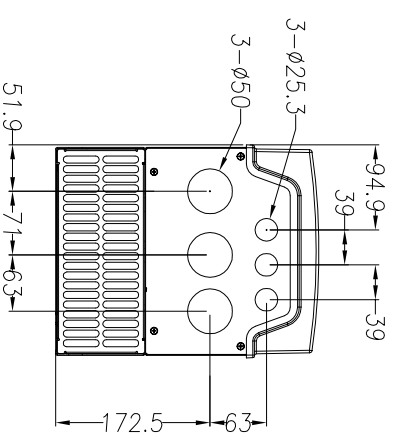
Minimum dimensions
 A= Air gap around drive
 B= Space between two drives or drive and e.g. cabinet
 C= Free space above drive
 D= Free space below drive

For class IP54 dim A and B = 0

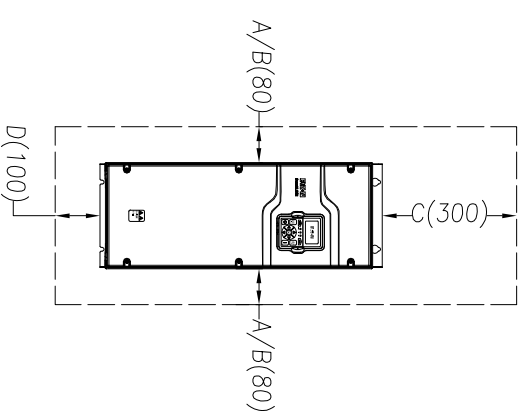
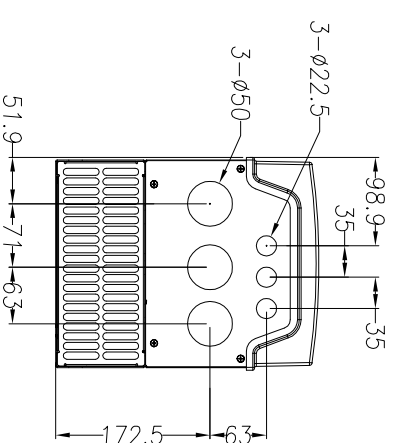
FR4 Dimension drawing



IP21/IP54 Metric

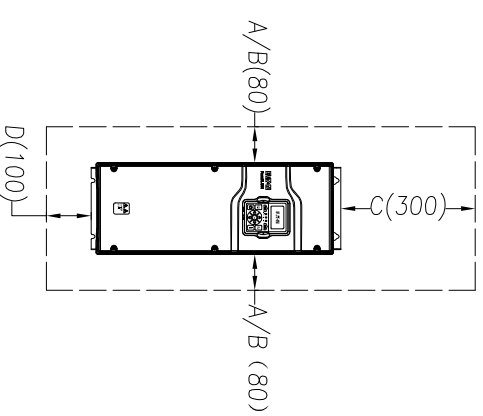
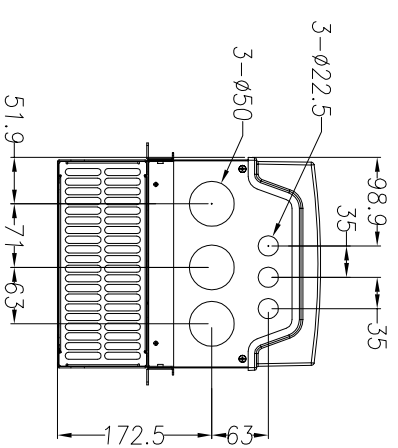
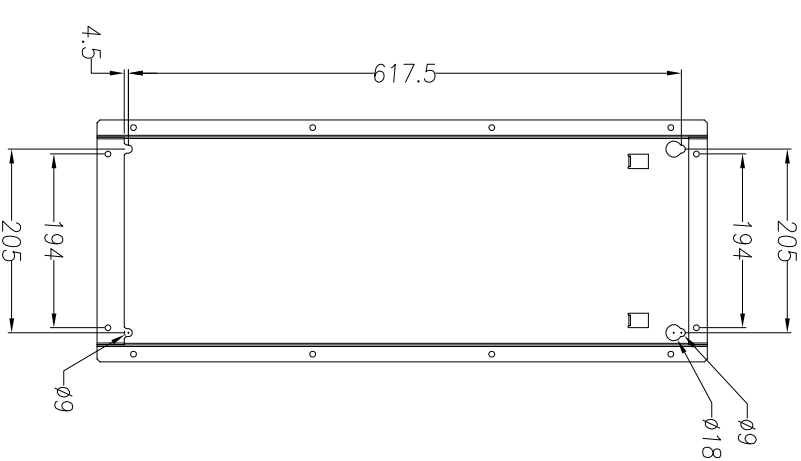
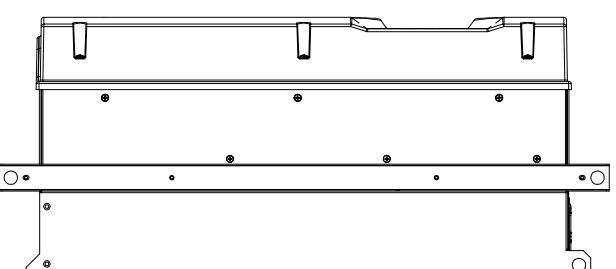
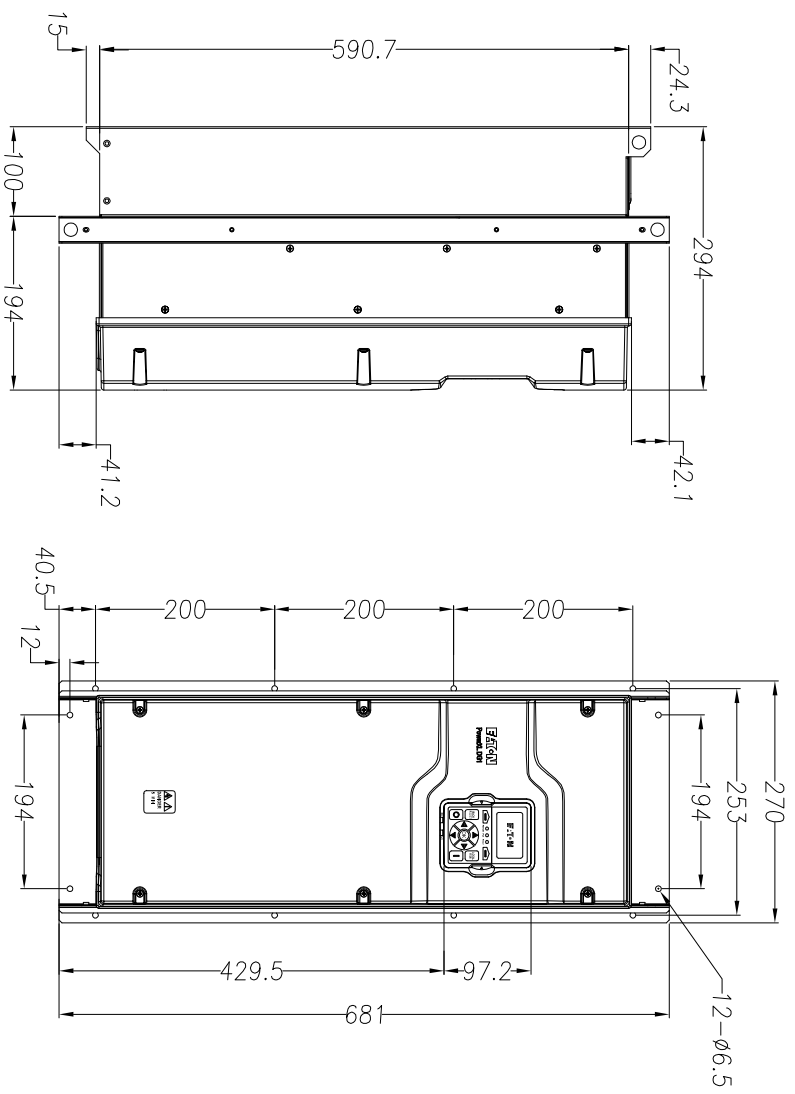
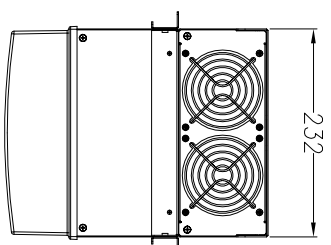


IP21/IP54 UL



Minimum dimensions
 A= Air gap around drive
 B= Space between two drives or drive and e.g. cabinet
 C= Free space above drive
 D= Free space below drive
 For class IP54 dim A and B=0

FR4 Dimension drawing flange mount

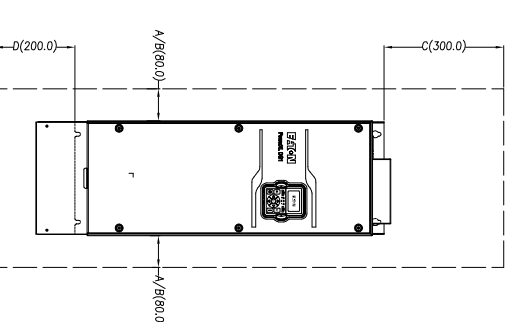
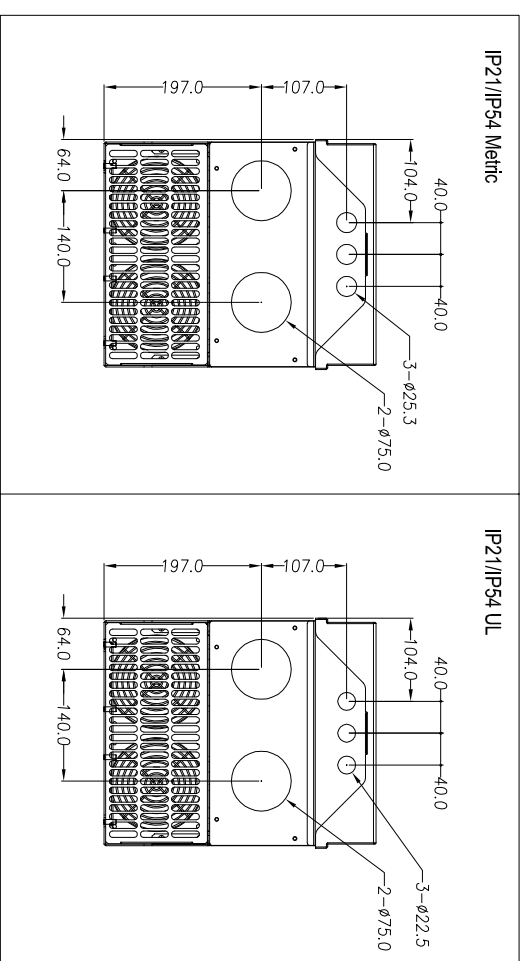
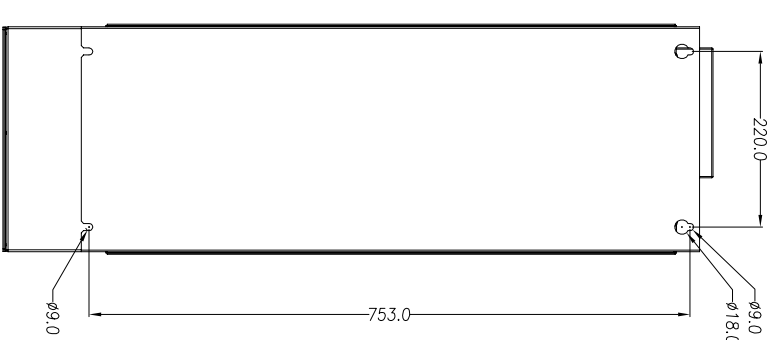
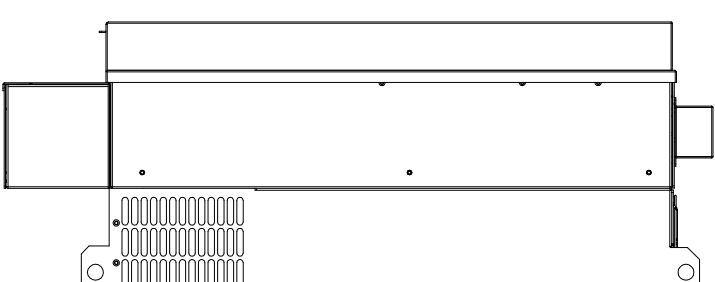
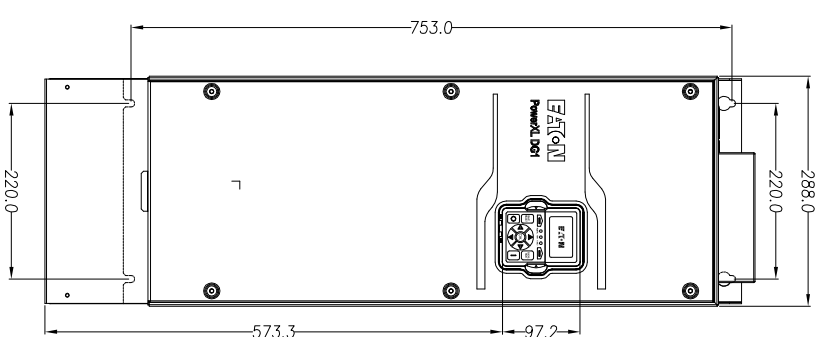
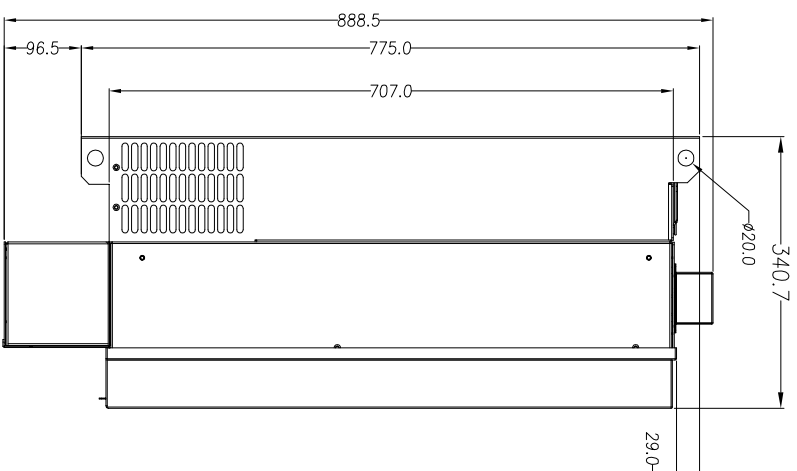
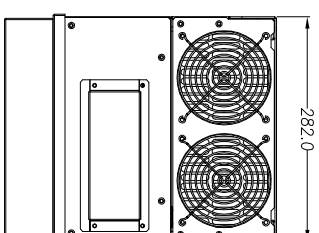


Minimum dimensions

- A= Air gap around drive
- B= Space between two drives or drive and e.g. cabinet
- C= Free space above drive
- D= Free space below drive

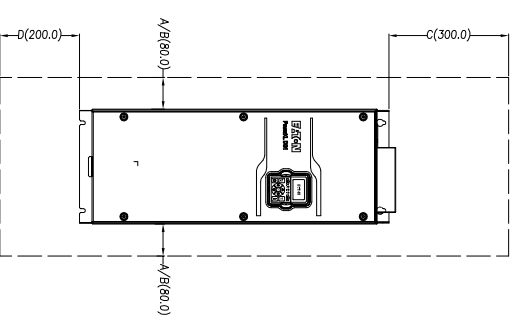
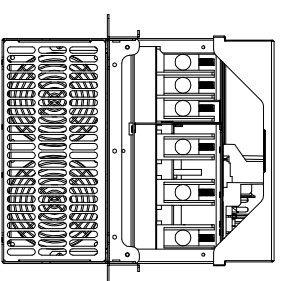
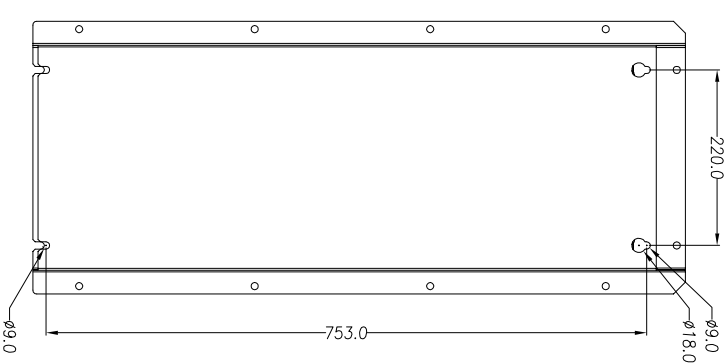
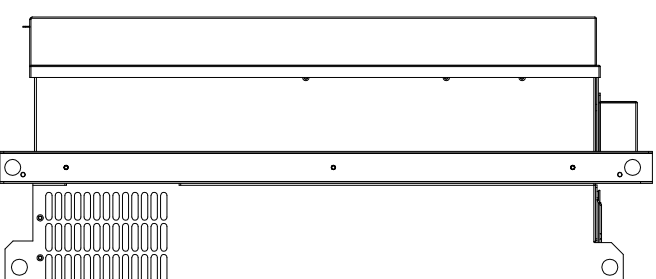
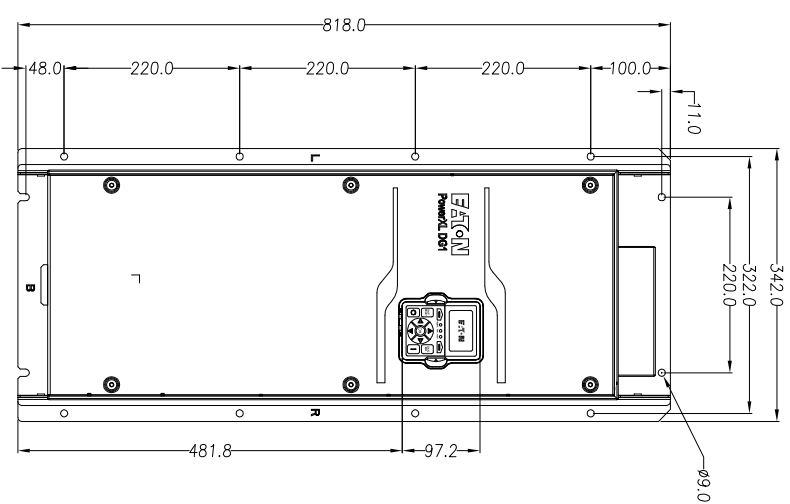
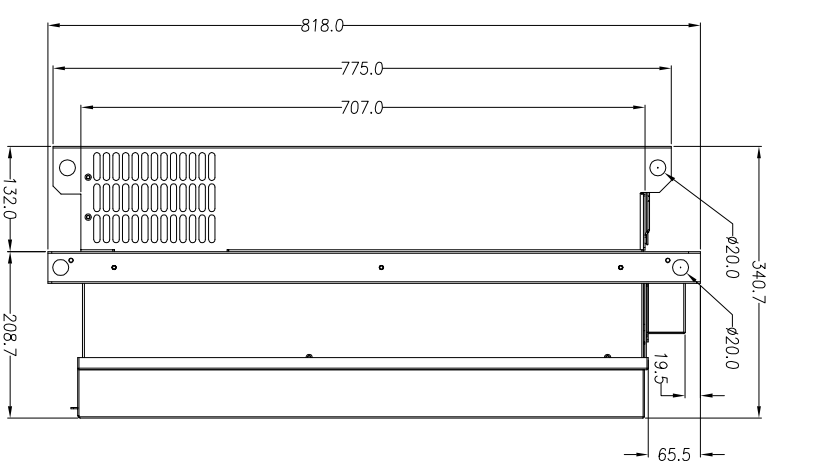
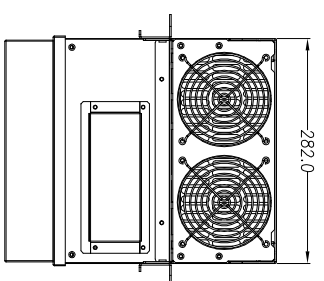
For class IP54 dim A and B=0

FR5 Dimension drawing



- Minimum dimensions
 A= Air gap around drive
 B= Space between two drives or drive and e.g. cabinet
 C= Free space above drive
 D= Free space below drive

FR5 Dimension drawing flange mount



- Minimum dimensions
 A= Air gap around drive
 B= Space between two drives or drive and e.g. cabinet
 C= Free space above drive
 D= Free space below drive