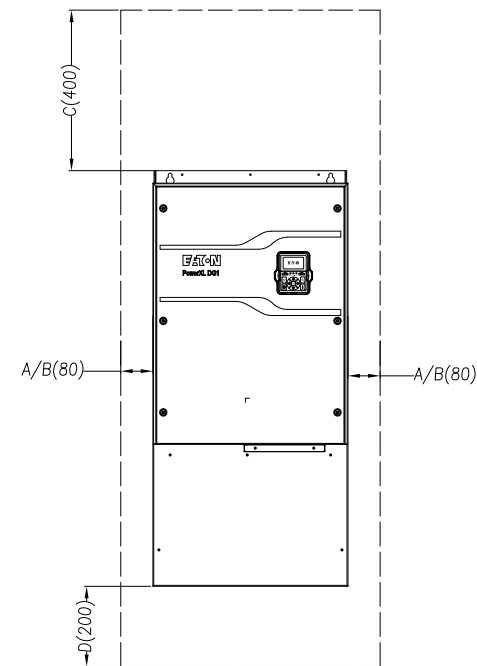
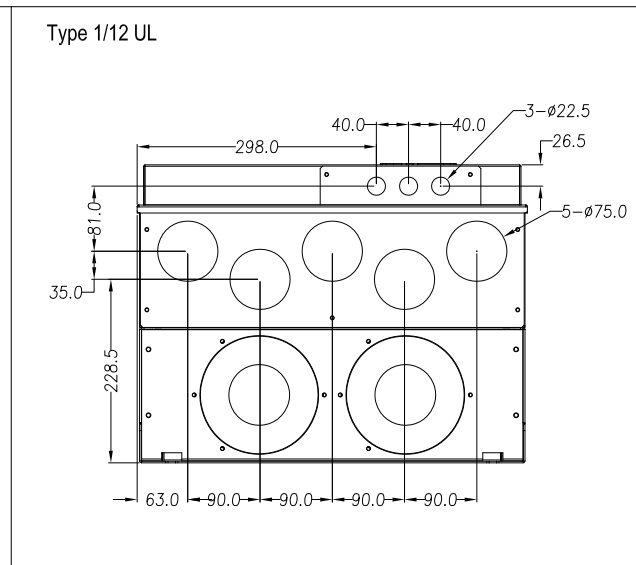
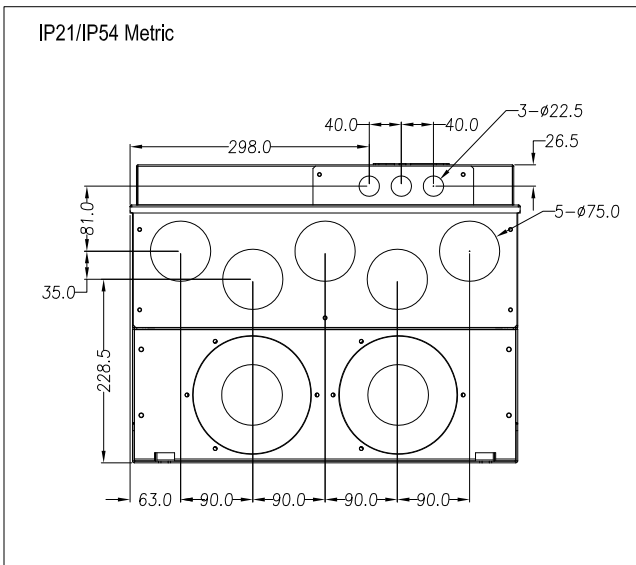
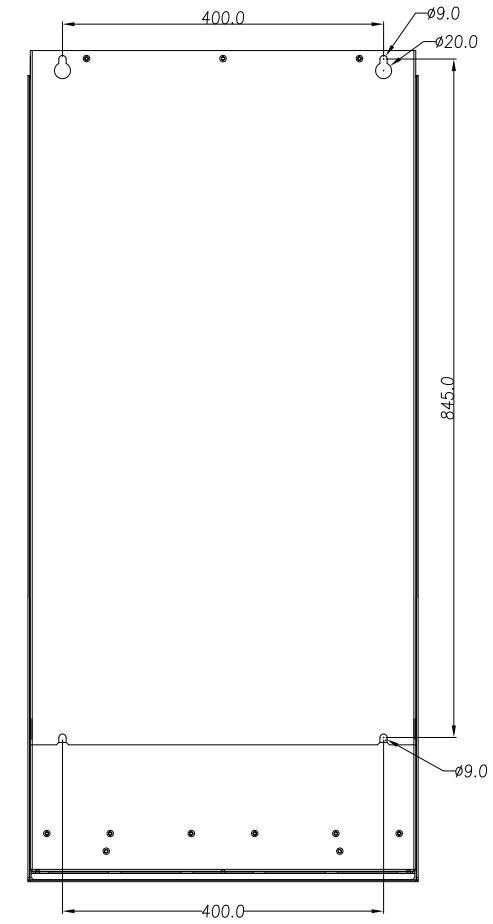
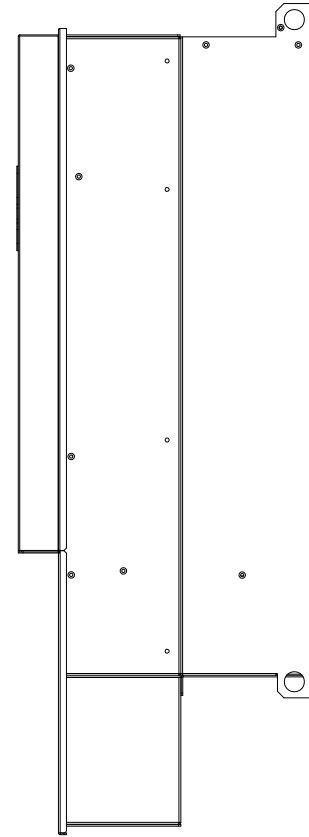
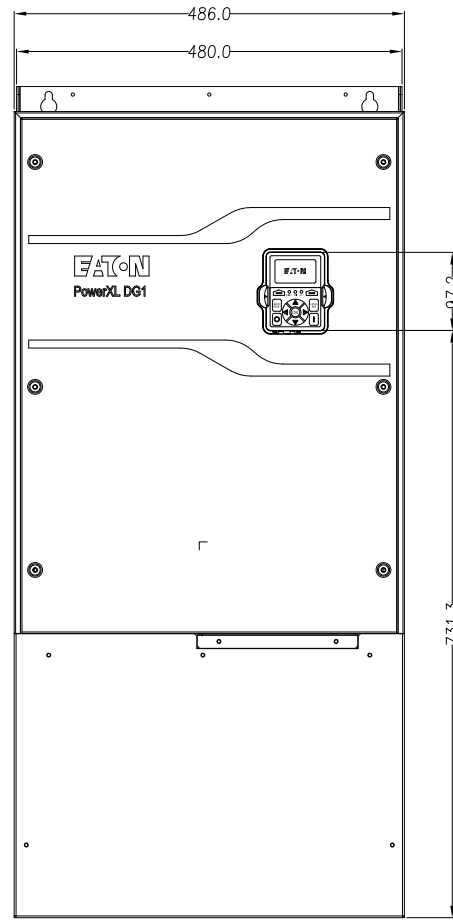
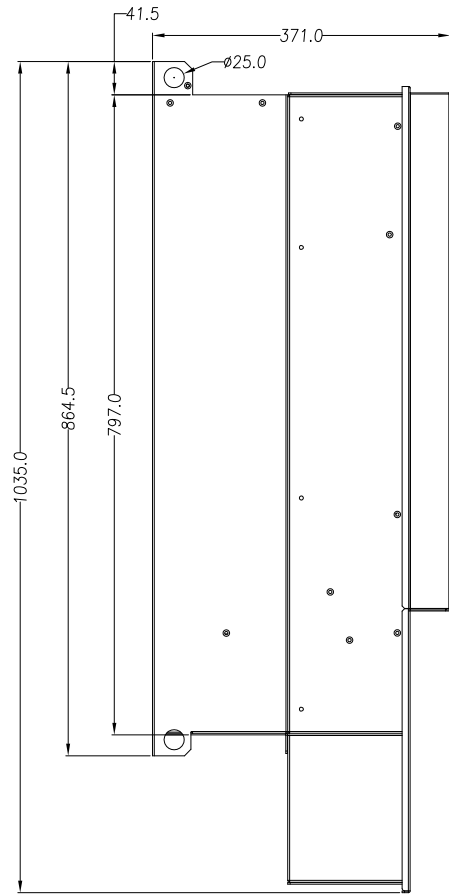
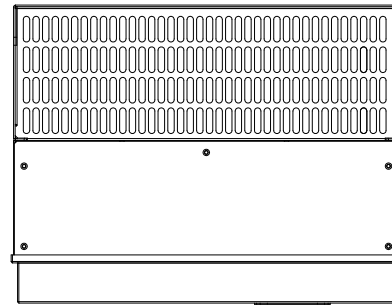
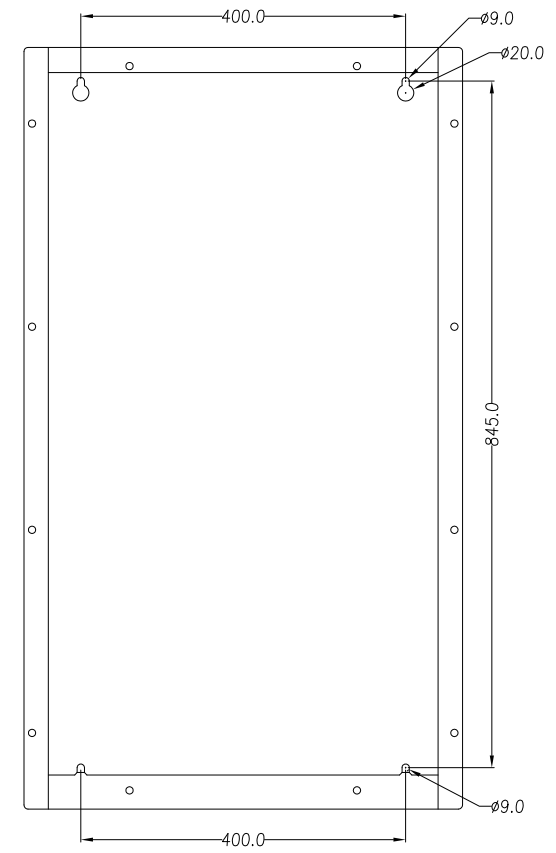
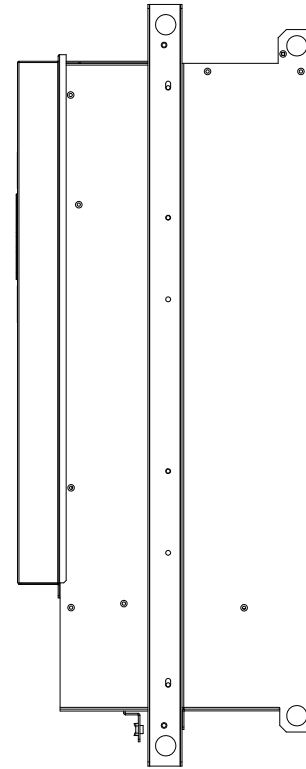
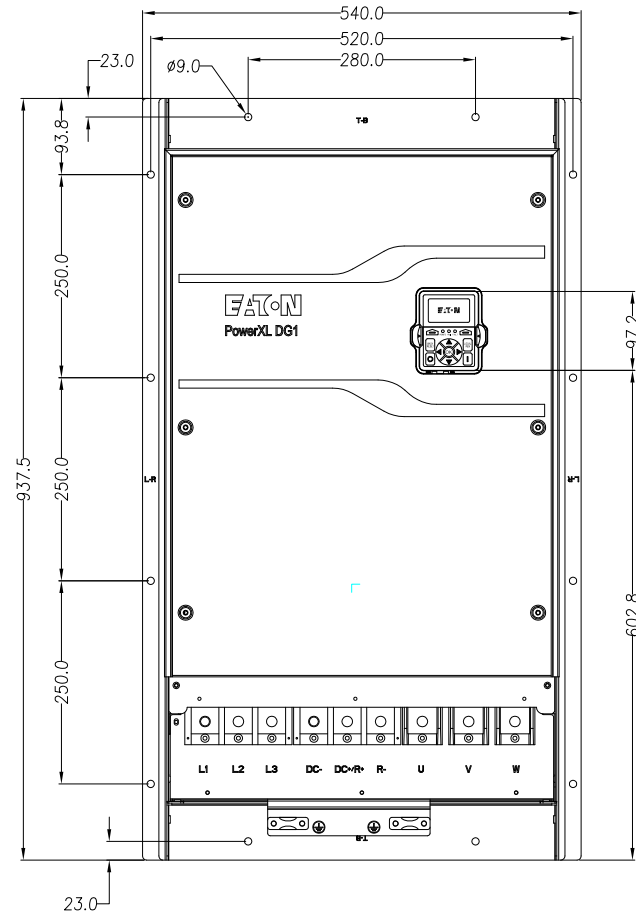
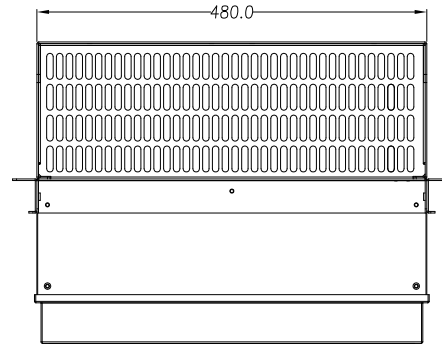
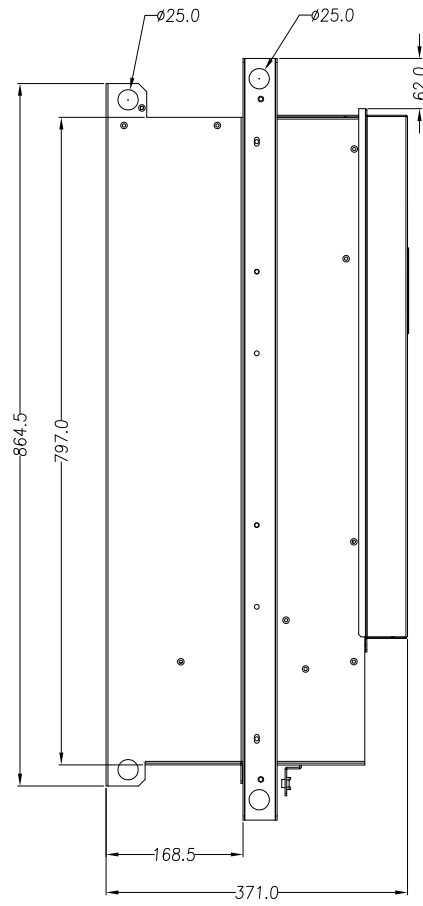


FR6 Dimension drawing

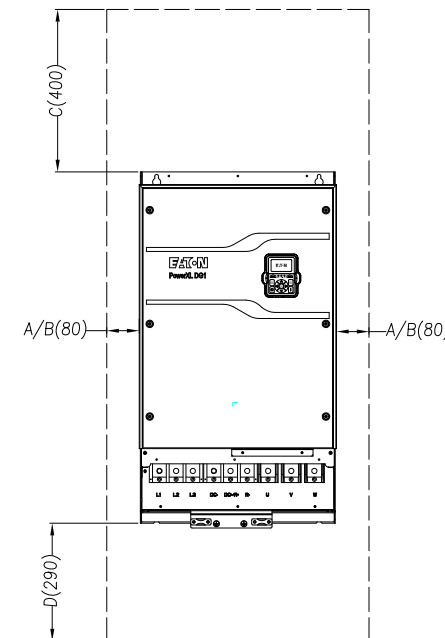
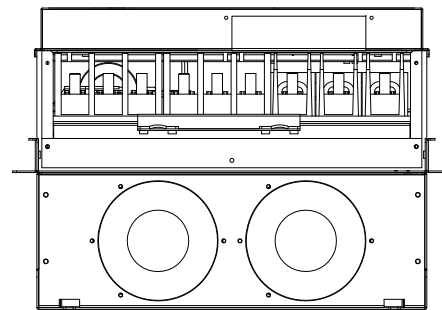


Minimum dimensions
 A= Air gap around drive
 B= Space between two drives or drive and e.g. cabinet
 C= Free space above drive
 D= Free space below drive

FR6 Dimension drawing flange mount



IP21/IP54 Metric and Type 1/12 UL



Minimum dimensions
 A= Air gap around drive
 B= Space between two drives or drive and e.g. cabinet
 C= Free space above drive
 D= Free space below drive