

Installation instructions for *IT*. S801/811U Soft Starter Adapter Panel, Catalog No's. EMM13N

INTRODUCTION

This publication is designed to simplify the conversion of a S801V to a S801/S811U Soft Starter, Catalog No. EMM13N.

PURPOSE

The EMM13 adapter panel kit is designed to provide a rigid mounting surface for the S801/S811U series Soft Starters while providing easy access to mounting hardware when converting from a S801/811V to a S801/811U.

CONTENTS

Each EMM13 adapter panel kit contains the necessary hardware to mount the S801/811U soft starter to a panel.
See Fig. 1.

INSTALLATION

1. Turn off power disconnect source.
2. Remove power terminals.
3. Disconnect control wiring.
4. Remove S801/811U
5. Place the soft starter adapter panel on the enclosure panel and secure using hardware in Table 1.
6. Place the soft starter on the adapter panel and torque the mounting hardware per the fastener recommended torque.

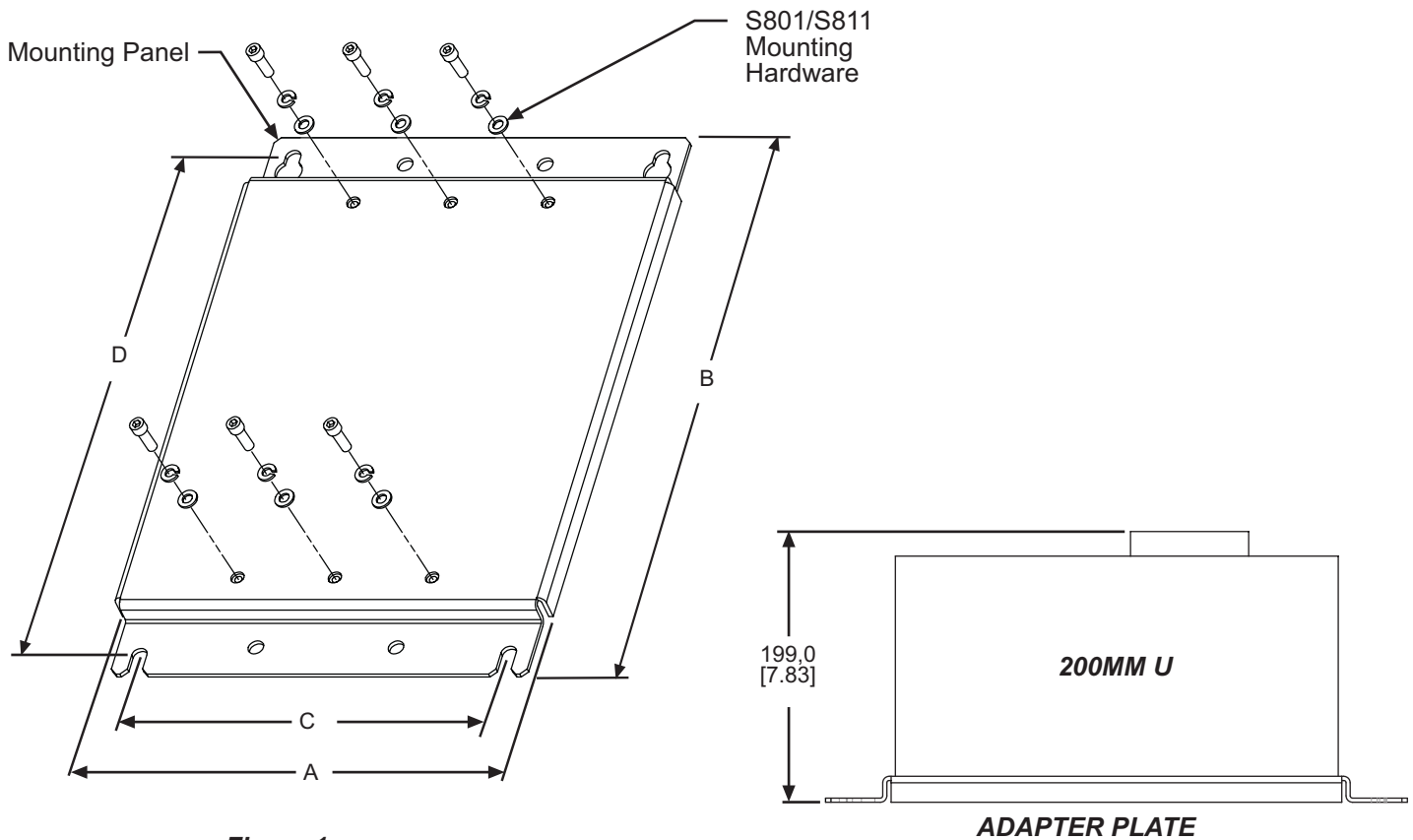


Figure 1

Table 1
Adapter Panel Kit Hardware

CATALOG NUMBER	SOFT STARTER*	PANEL DIMENSION (IN)				SOFT STARTER MOUNTING HARDWARE	MOUNTING PANEL HARDWARE REQUIREMENTS
		A	B	C	D		
EMM13V	S801U, S811U	292,0 (11.50)	427,4 (16.83)	250,0 (9.84)	395,2 (15.56)	PROVIDED WITH S801V & S811V SOFT STARTERS	(8) 1/4-28

* Unit includes a mounting panel or base