

Installation of Ferrites on Eaton S811 and S801 Soft Starters

Installation of ferrites are required to comply with IEC emissions (CE Mark) requirements. Installation of ferrites is optional for all other applications including UL applications. Ferrite Kits are now supplied with each S811 and S801 series soft starter. Additional Kits may be ordered from Eaton distributors.

S811 and S801 R, T, U, V Frames - Ferrite installation consists of one ferrite, Eaton PN 28-7754 installed on the 24V DC control wiring. All connections to/from the Control Power Terminal Block pass thru the ferrite as shown in Figure 2.

S811 and S801 N Frames - 1 ferrite for each phase, as shown in Figure 3.

Kit Applicability is as shown below:

S811...

Frame	Ferrite Kit
S811N...	6-780
S811R...	6-781
S811T...	6-781
S811U...	6-781
S811V...	6-781

6-780	
Part	Quantity
28-7754	1
28-7755	3

6-781	
Part	Quantity
28-7754	1

S801

Frame	Ferrite Kit
S801N...	6-780
S801R...	6-781
S801T...	6-781
S801U...	6-781
S801V...	6-781

6-780	
Part	Quantity
28-7754	1
28-7755	3

6-781	
Part	Quantity
28-7754	1

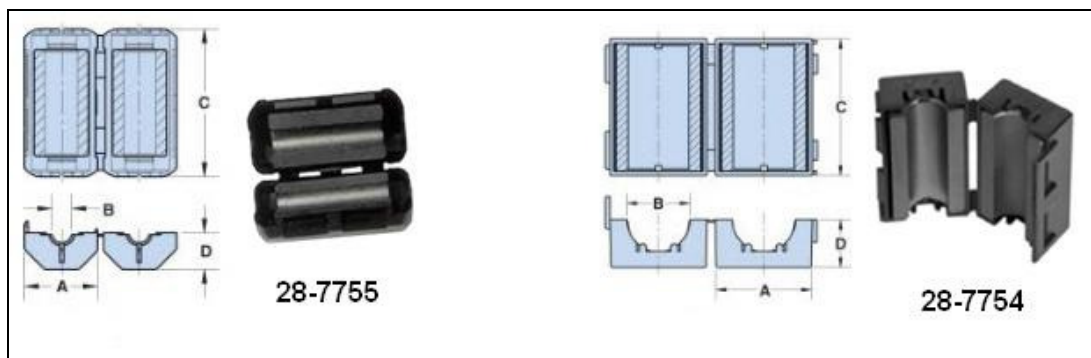


Figure 1 - Ferrites

Ferrite	Ferrite Dimensions			
	A	B	C	D
28-7754	1.15"	0.74"	1.65"	0.58"
28-7755	1.52"	0.72"	1.87"	0.7"5

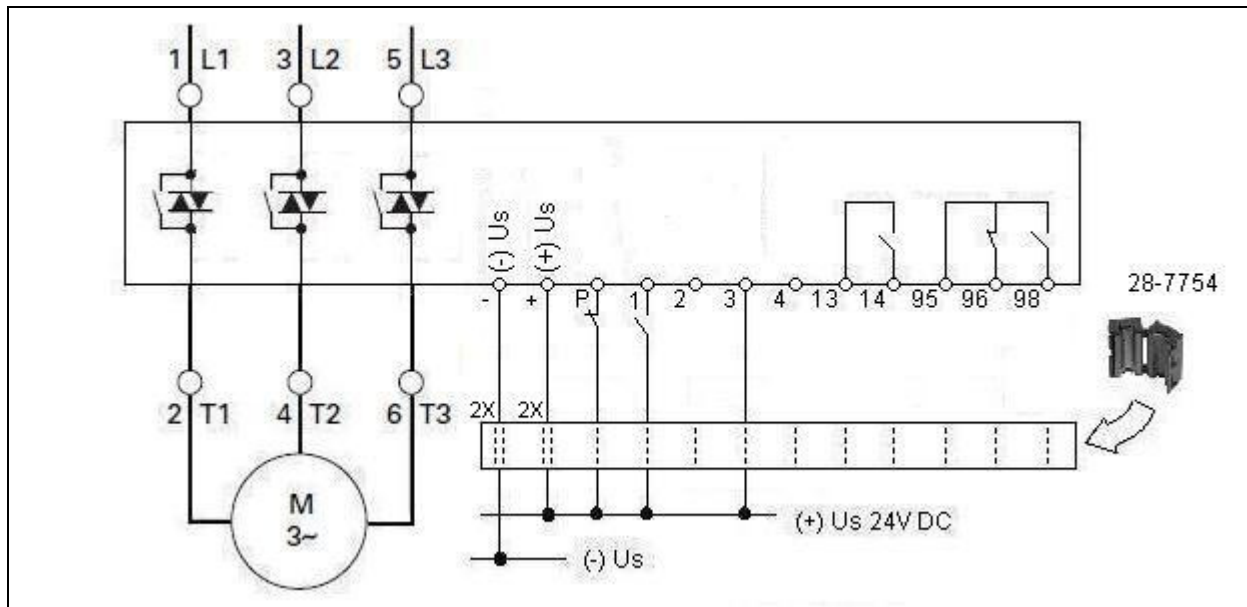


Figure 2 – S811R..., S811T..., S811U...S811V..., S801R..., S801T..., S801U..., S801V...

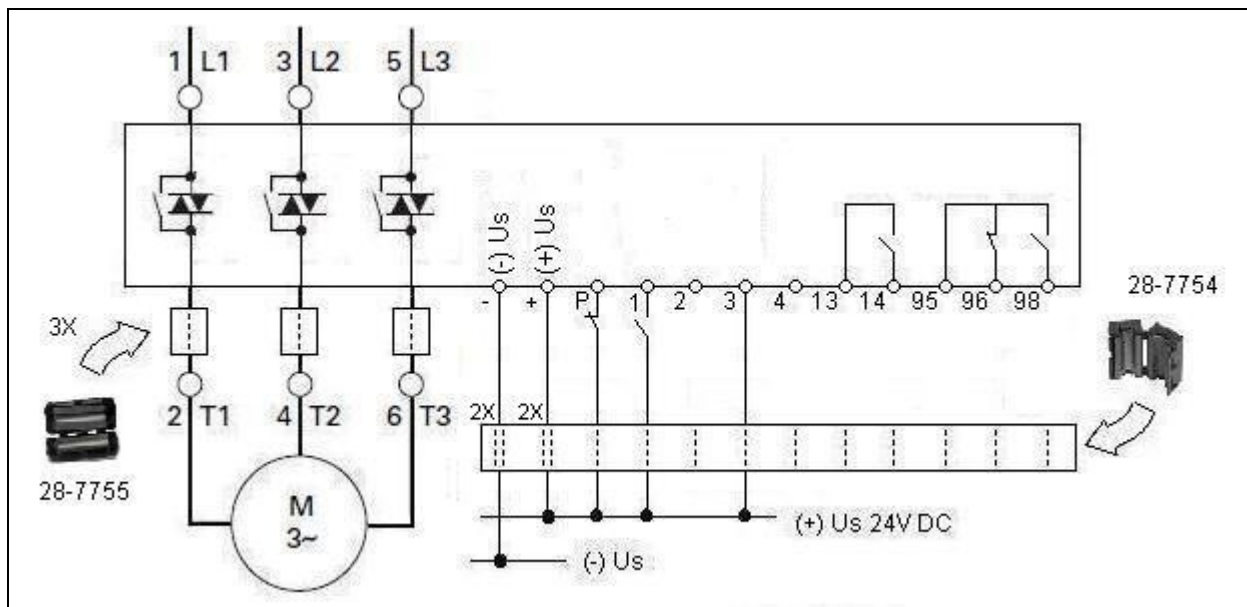


Figure 3 - S811N..., S801N...