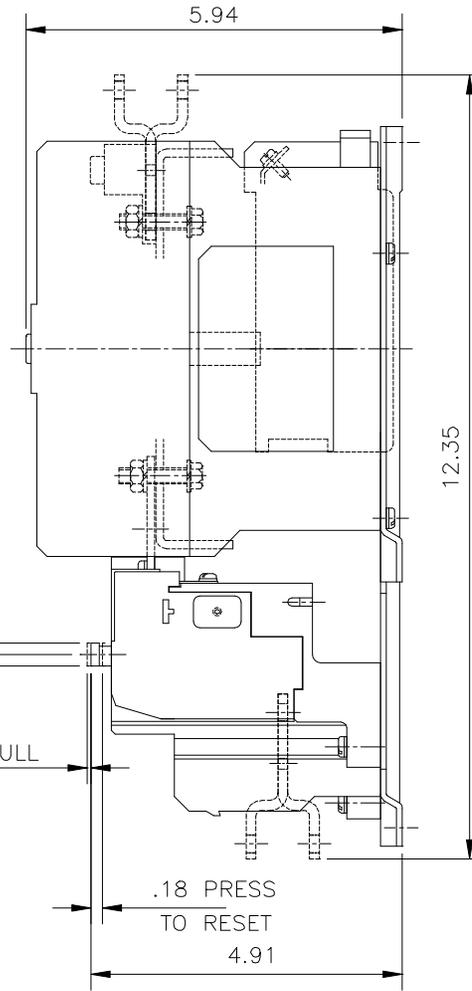
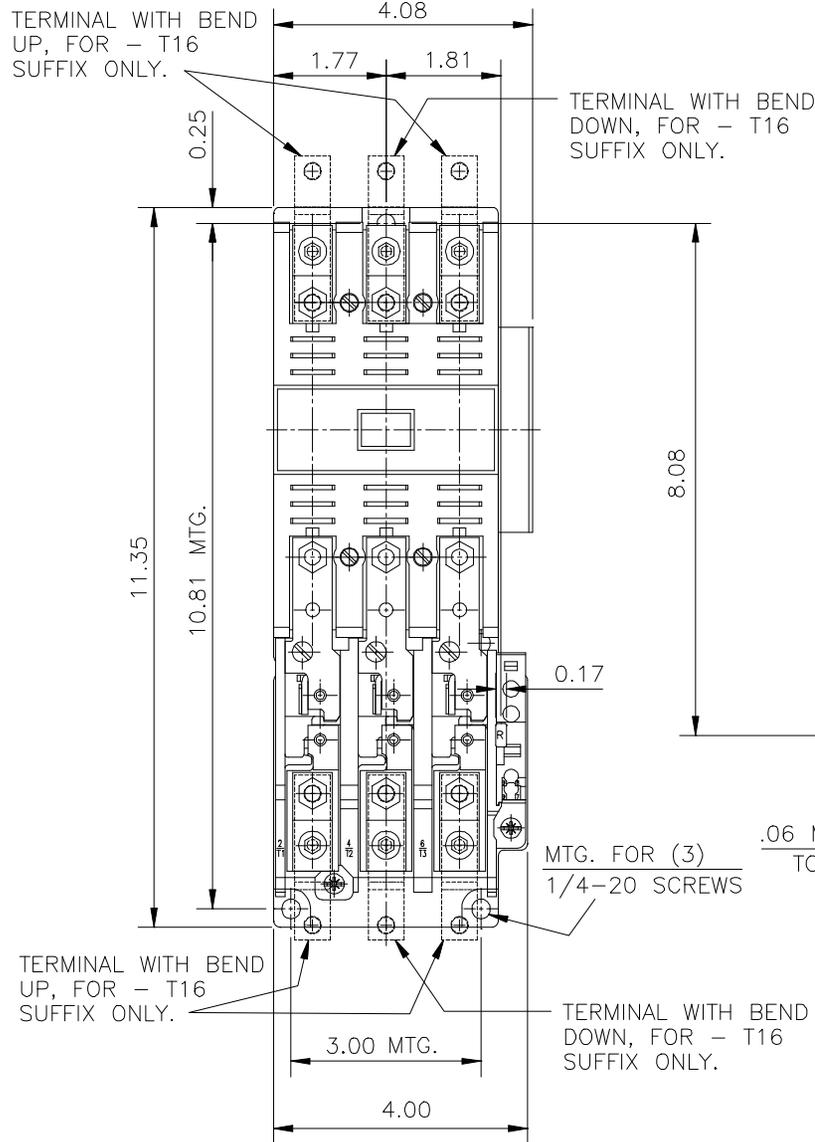


B 84-27225



THE INFORMATION ON THIS DRAWING IS THE PROPERTY OF EATON CORPORATION. IS DISCLOSED IN CONFIDENCE AND IS NOT TO BE REPRODUCED, USED OR DISCLOSED EXCEPT FOR THE PURPOSE FOR WHICH FURNISHED.

TITLE						DIMENSIONS FOR 90MM STARTER		NEMA SIZE 3 & IEC SIZES L, M & N		
A	JJS	JJS	GHF	6/30/95	DR.	J. SIEBENLIST	07-17-87	APP.	F.J. KLEEWEIN	08-03-87
B	JHJ	JHJ	JRR	1/27/98	CHK.	A.J. ZAUNER	08-12-87	FIRST ASSY. WHERE LISTED	DB4-27220	
C										
D										
E										

1/2 SIZE

