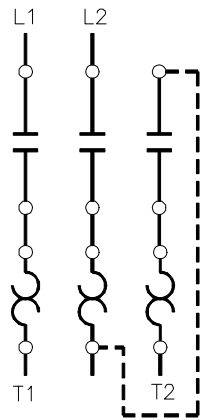
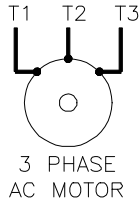
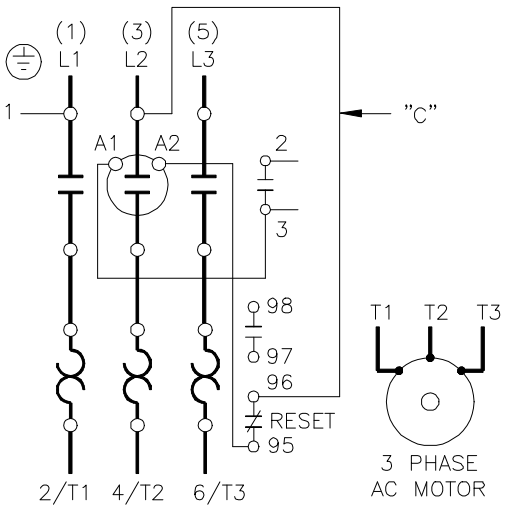
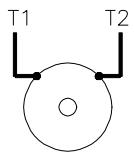


THE INFORMATION ON THIS DRAWING IS THE PROPERTY OF EATON CORPORATION, IS DISCLOSED IN CONFIDENCE AND IS NOT TO BE REPRODUCED, USED OR DISCLOSED EXCEPT FOR THE PURPOSE FOR WHICH FURNISHED.

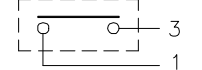


FIELD CONVERSION TO
1 PHASE - ADD DOTTED
CONNECTION.



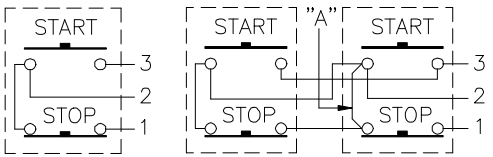
REMOTE PILOT DEVICES

2 WIRE CONTROL



NOT FOR USE
WITH AUTO RESET
OL RELAYS.

3 WIRE CONTROL



WHEN MORE THAN ONE
PUSHBUTTON STATION IS
USED OMIT CONNECTOR
"A" AND CONNECT PER
SKETCH BELOW.

SEPARATE CONTROL

REMOVE WIRE "C" WHEN IT IS
SUPPLIED. CONNECT SEPARATE
CONTROL LINES TO THE NO.1
TERMINAL ON THE REMOTE
PILOT DEVICE AND THE
TERMINAL 96 ON THE
OVERLOAD RELAY.

NEMA SIZE 1, 1 1/2, AND 2 NON-REVERSING STARTERS.

APPROVAL	WIRING CHANGED INTERNAL EXTERNAL	DRAWN BY M. STEHLING	5-7-86	ENGR. APP. E.M.WAGNER	5-14-86
A E.W. 9-30-86 M.F.S.	YES NO	CHECKED BY		SUPR. APP. F.R.BONESS	5-22-86
B J.H.J. 4-15-94	NO NO	SUP. NO.			
C		SUP. BY NO.			
D		PANEL NO.			
E		BUL. NO.			
F		GROUP NO.			
G		ORDER NO. DV13-1700-10			

EATON
255776 D1

COMPUTER GENERATED TRACING - .DWG