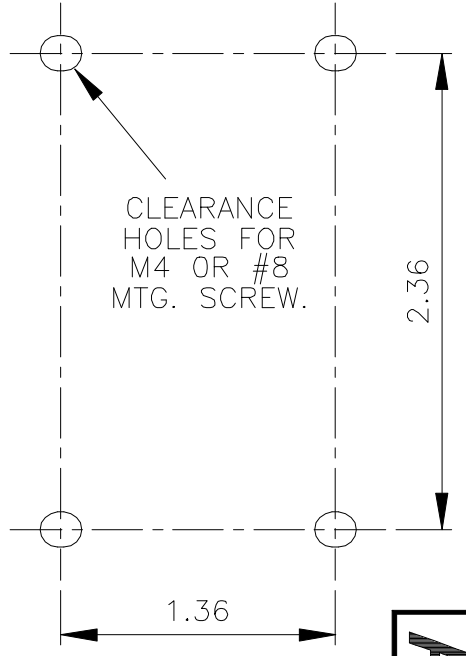
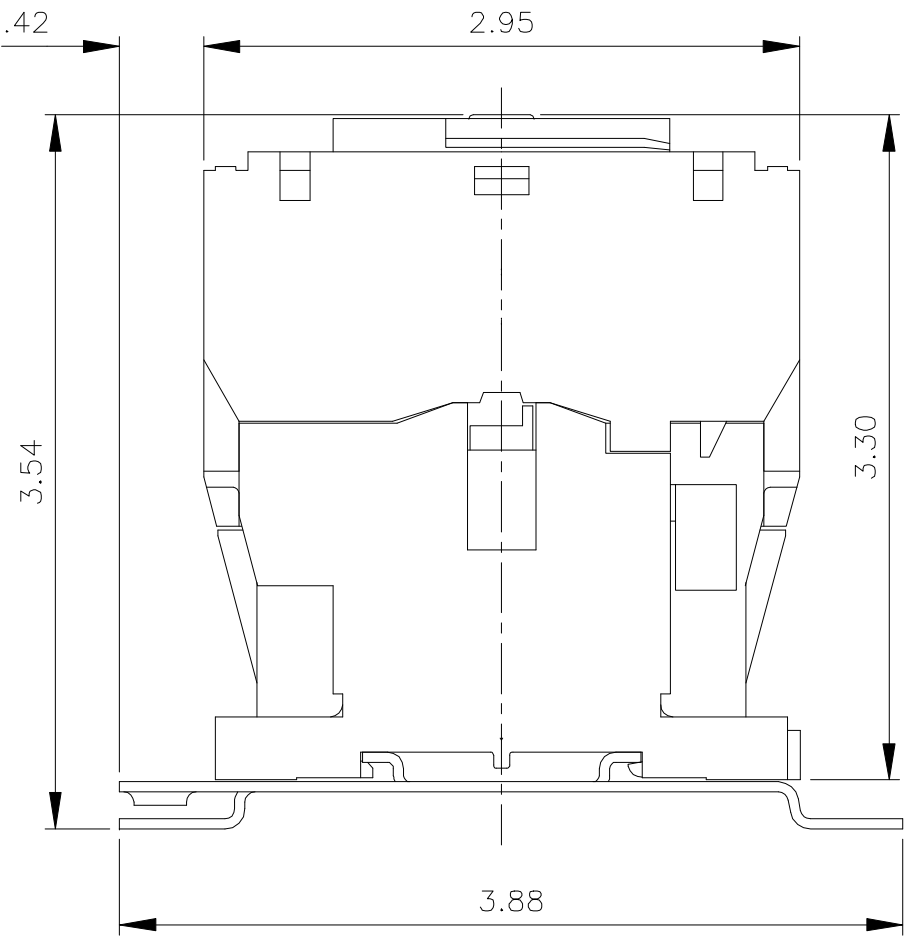
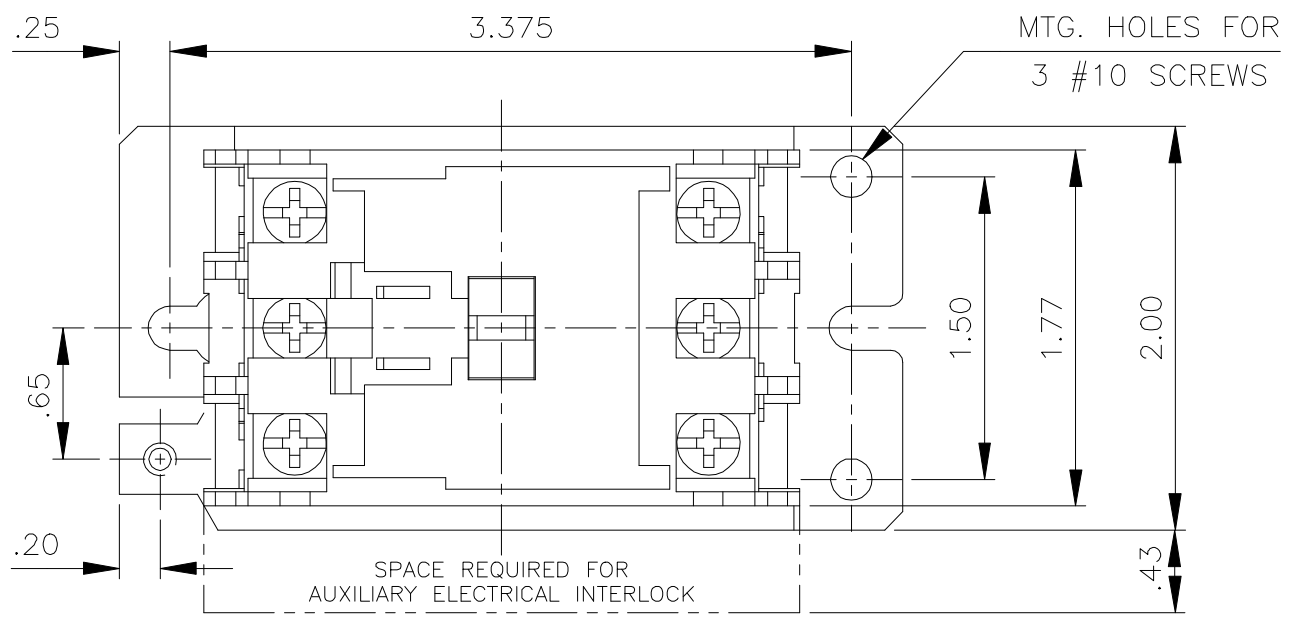


THE INFORMATION ON THIS DRAWING IS THE PROPERTY OF EATON CORPORATION, IS DISCLOSED IN CONFIDENCE AND IS NOT TO BE REPRODUCED, USED OR DISCLOSED EXCEPT FOR THE PURPOSE FOR WHICH FURNISHED.



MAIN TERMINAL
 2 WIRE MAX PER TERMINAL
 #12-#16 AWG CU SOLID
 OR STRANDED.

CONTROL OR COIL TERMINAL
 1 WIRE MAX PER TERMINAL
 #12-#16 AWG CU SOLID
 OR STRANDED.

DV13-6254-10

TITLE										DR. J. SIEBENLIST			10-08-91		APP.	
DIMENSIONS FOR 45MM INDUSTRIAL CONTACTOR										CHK. J. SIEBENLIST			10-08-91		FIRST ASSEM. WHERE LISTED D10-6600	
A									D							
B									E							
C									F							

EATON

A

10-6877

COMPUTER GENERATED TRACING - .DWG

FILE IN H-65