

REMOTE CONTROL STATIONS

FIG. B

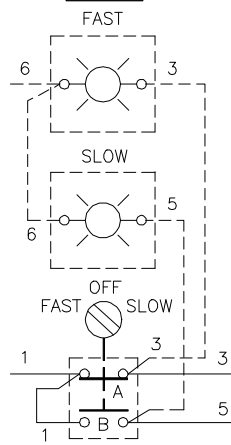
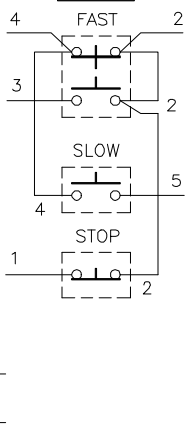


FIG. C

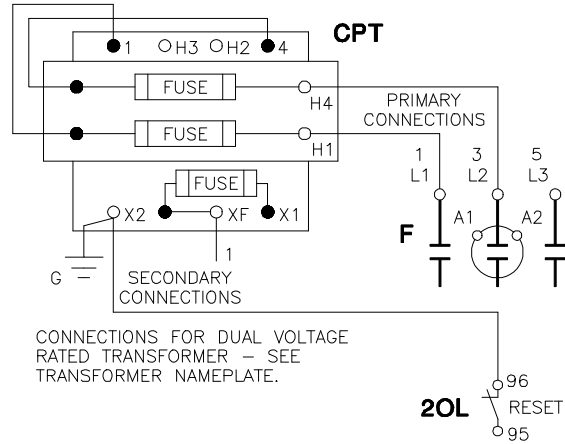


CONTACT	POSITION		
	FAST	OFF	SLOW
A	X		
B			X

X = CONTACT CLOSED

FIG. 2 CONTROL CIRCUIT TRANSFORMER (IF USED)

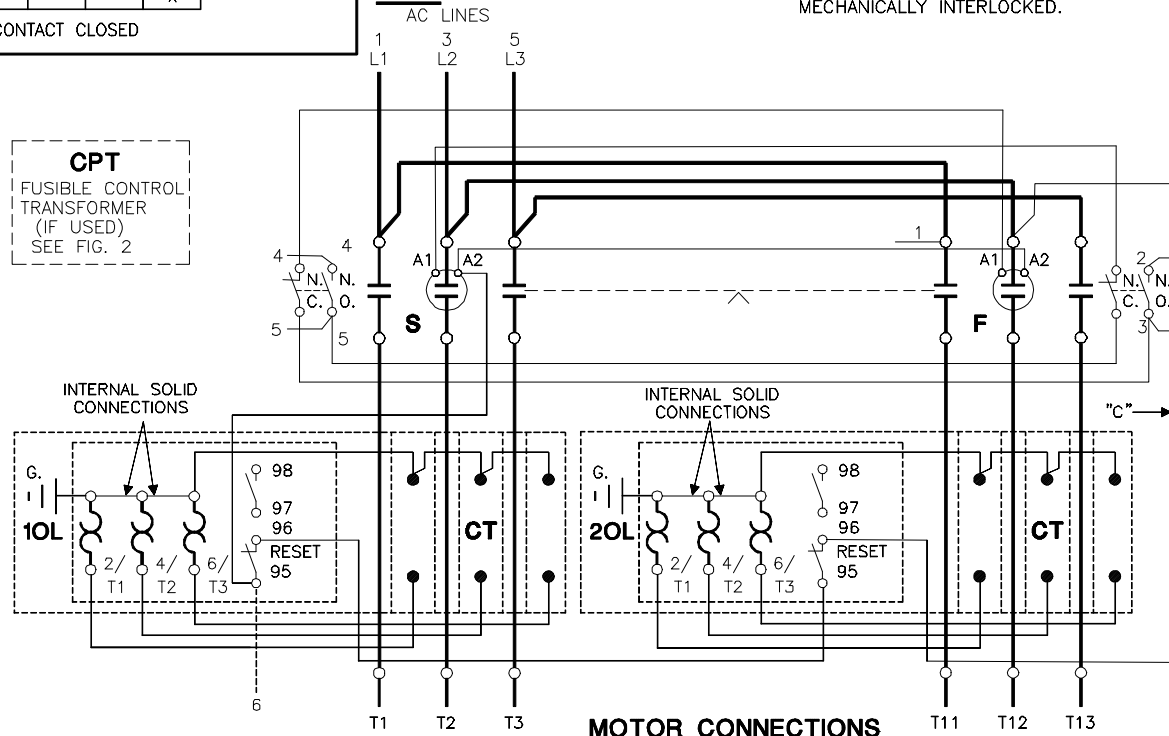
REMOVE WIRE "C" IF SUPPLIED AND CONNECT AS SHOWN BELOW. (ALL OTHER WIRING REMAINS AS SHOWN IN FIG. 1).



CONNECTIONS FOR DUAL VOLTAGE RATED TRANSFORMER - SEE TRANSFORMER NAMEPLATE.

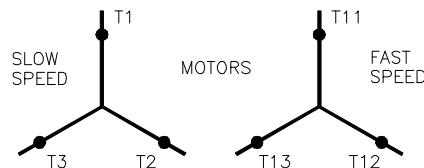
FIG. 1 FRONT VIEW OF PANEL

CONTACTORS "S" AND "F" ARE MECHANICALLY INTERLOCKED.

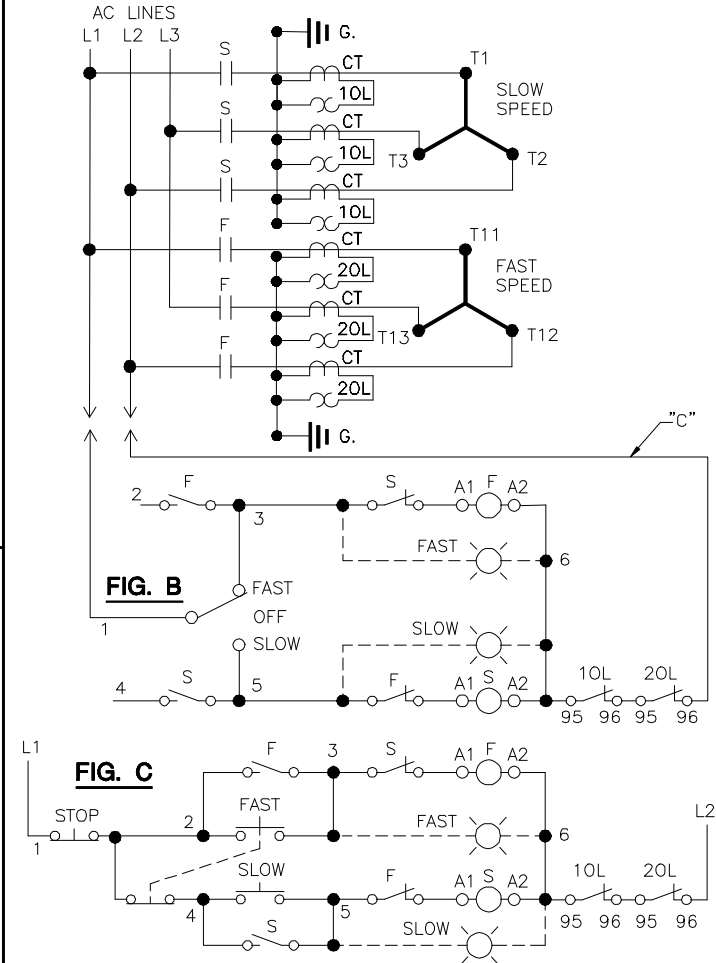


SEPARATE CONTROL

REMOVE WIRE "C" WHEN IT IS SUPPLIED. CONNECT SEPARATE CONTROL LINES TO THE NO. 1 TERMINAL ON THE REMOTE CONTROL STATION AND THE NO. 96 TERMINAL ON OVERLOAD RELAY 20L.



STARTER ELEMENTARY DIAGRAM



CONNECTIONS FOR FREEDOM MULTISPEED STARTER - 2 SPEED, 2 WINDING - NEMA SIZE 5 FORM 1 SELECTIVE CONTROL.

APPROVAL	WIRING CHANGED	DRAWN BY	10-30-96	ENGR. APP.
A	INTERNAL EXTERNAL	M.A.GOSKOWICZ		SUPR. APP.
B		SUP. NO.		
C		SUP. BY NO.		
D		PANEL NO.		
E		BUL. NO.		
F		GROUP NO.		
G		ORDER NO. DV120-1131		

261058 D3

COMPUTER GENERATED TRACING - .DWG

FILE IN H-65

THE INFORMATION ON THIS DRAWING IS THE PROPERTY OF EATON CORPORATION. IT IS NOT TO BE REPRODUCED, USED OR DISCLOSED EXCEPT FOR THE PURPOSE FOR WHICH FURNISHED.